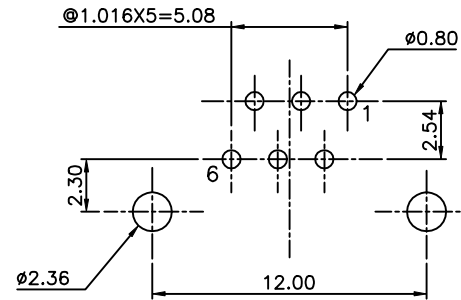
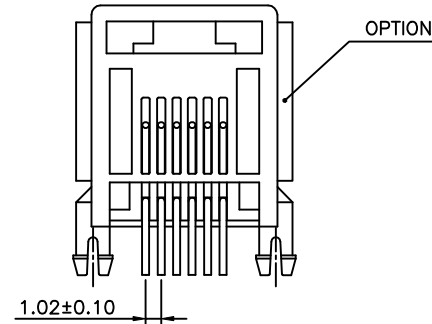
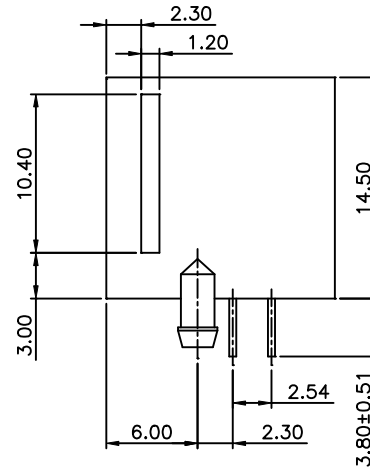
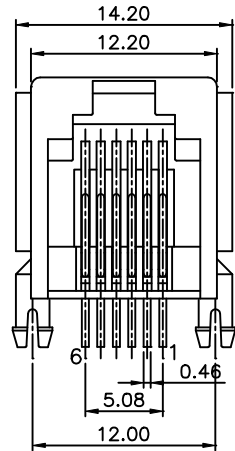


REVISION RECORD				
REV	ECO	DESCRIPTION	DRFT	CHKD
1		MODIFY NOTE	JAMY 10/28/05	
2		ADD P/N	JAMY 4/7/06	



PC Board Layout Component Side Shown

NOTES:

ELECTRICAL:

- VOLTAGE RATING : 125 VAC RMS.
- CURRENT RATING : 1.5 AMP.
- CONTACT RESISTANCE : 30 MILLIOHMS MAX.
- INSULATION RESISTANCE: 1000 MEGOHMS MIN @ 500 VDC.
- DIELECTRIC STRENGTH : 1000 VAC RMS 60Hz, 1MIN.

MECHANICAL:

- HOUSING MATERIAL : PBT+20%.G.F UL94V-0.
- HOUSING COLOUR : BLACK OR GREY.
- CONTACT MATERIAL : PHOSPHOR BRONZE $\phi 0.46\text{mm}$.
- PLATING : GOLD PLATING OVER NICKEL.
- OPERATING LIFE : 750 CYCLES MIN.
- PCB RETENTION PRE-SOLDER : 1 LB MIN.
- PCB RETENTION POST-SOLDER: 10 LBS MIN.

ENVIRONMENTAL:

- STORAGE : -40°C TO $+85^{\circ}\text{C}$.
- OPERATION: -40°C TO $+85^{\circ}\text{C}$.
- WAVE SOLDERING TEMPERATURE $230^{\circ}\text{C}\sim 250^{\circ}\text{C}$ (5~10 SECONDS)
FCC PART 68, SUBPART F.

CUL FILE NO. E163191

ROHS PART NUMBER: E556X-00LXXX-L

- | | | |
|------|--------|-----------|
| 2-2C | 1- 3u" | 2- 6u" |
| 4-4C | 3-15u" | 4-30u" |
| 6-6C | 5-50u" | 6-Pd 20u" |

- 01-W/PANEL STOP BK
- 02-W/O PANEL STOP BK
- 11-W/PANEL STOP GY
- 12-W/O PANEL STOP GY

DETACHED LISTS	← MM (INCH) →		DFTO JAMY	DATE 08/22/05
	TOLERANCES EXCEPT AS NOTED		CHKDYCAN	DATE 2006/4/7
			MFO	DATE
			APPV LUSHENG	DATE 2006/4/7
			MATERIAL :	
ANGLES ±		QT'Y :		
		FINISH :		
THIRD ANGLE PROJECTION		SCALE : 3 : 1		

FULL RISE ELECTRONIC CO., LTD			
TITLE SIDE ENTRY L/P PCB JACK			
DRAWING NO. GE553007-LC		SIZE	REV
/PART NO. SEE NOTE		A3	2
DO NOT SCALE DRAWING		SHEET X	OF Y