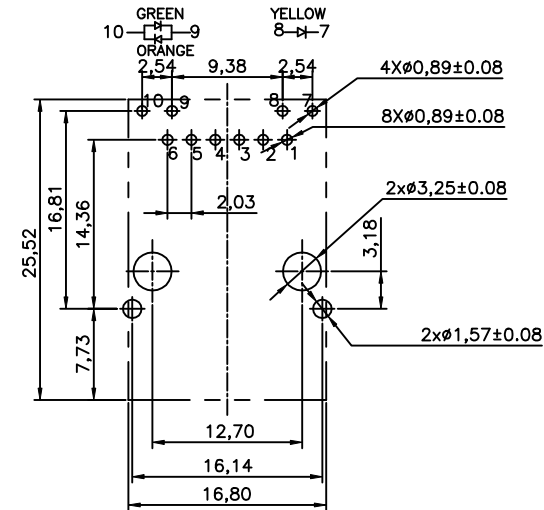
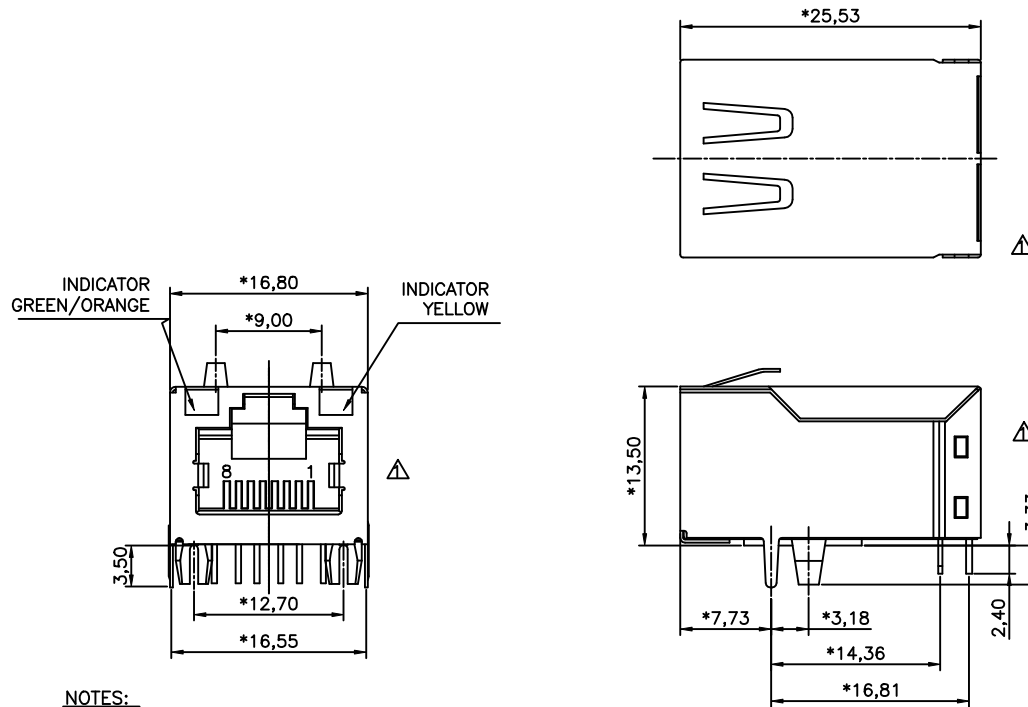


| REVISION RECORD |     |                |       |          |
|-----------------|-----|----------------|-------|----------|
| REV             | ECO | DESCRIPTION    | DRFT  | CHKD     |
| △               |     | DRAWING MODIFY | LIBRM | 07/11/05 |



**NOTES:**

**ELECTRICAL:**

- VOLTAGE RATING : 125 VAC RMS.
- CURRENT RATING : 1.5 AMP.
- CONTACT RESISTANCE : 35 MILLIOHMS MAX.
- INSULATION RESISTANCE: 1000 MEGOHMS MIN @ 500 VDC.
- DIELECTRIC STRENGTH : 1000 VAC RMS 60Hz, 1MIN.

**MECHANICAL:**

- SHIELD MATERIAL : CARTRIDGE  $t=0.25$ mm. PLATING NICKEL
- HOUSING MATERIAL : NYLON+30%.G.F(FR52) UL94V-0
- INSERT MATERIAL : NYLON+30%.G.F(FR52) UL94V-0 STANDARD COLOR:BLACK.
- CONTACT MATERIAL : PHOSPHORUS BRONZE  $t=0.35$ mm.
- PLATING : 1. CONTACT AREA- SELECTION GOLD PLATING. 2. TAILS- TIN OVER NICKEL
- OPERATING LIFE : 750 CYCLES MIN.
- MATING/UNMATING FORCE: 5 LBS MAXIMUM.
- PLUG TO JACK RETENTION: 30 LBS MIN.

**ENVIRONMENTAL:**

- STORAGE : -40°C TO +80°C.
  - OPERATION: 0°C TO 70°C.
  - Wave Soldering Temperature: 255~265°C (5~10 SECONDS)
- MATES WITH MODULAR PLUG CONFORMING TO FCC PART 68, SUBPART F.
- PART NUMBER: ESTAB-P9KJ0X-L
- 1-3u", 2-6u"  
3-15u", 4-30u" 5-50u"

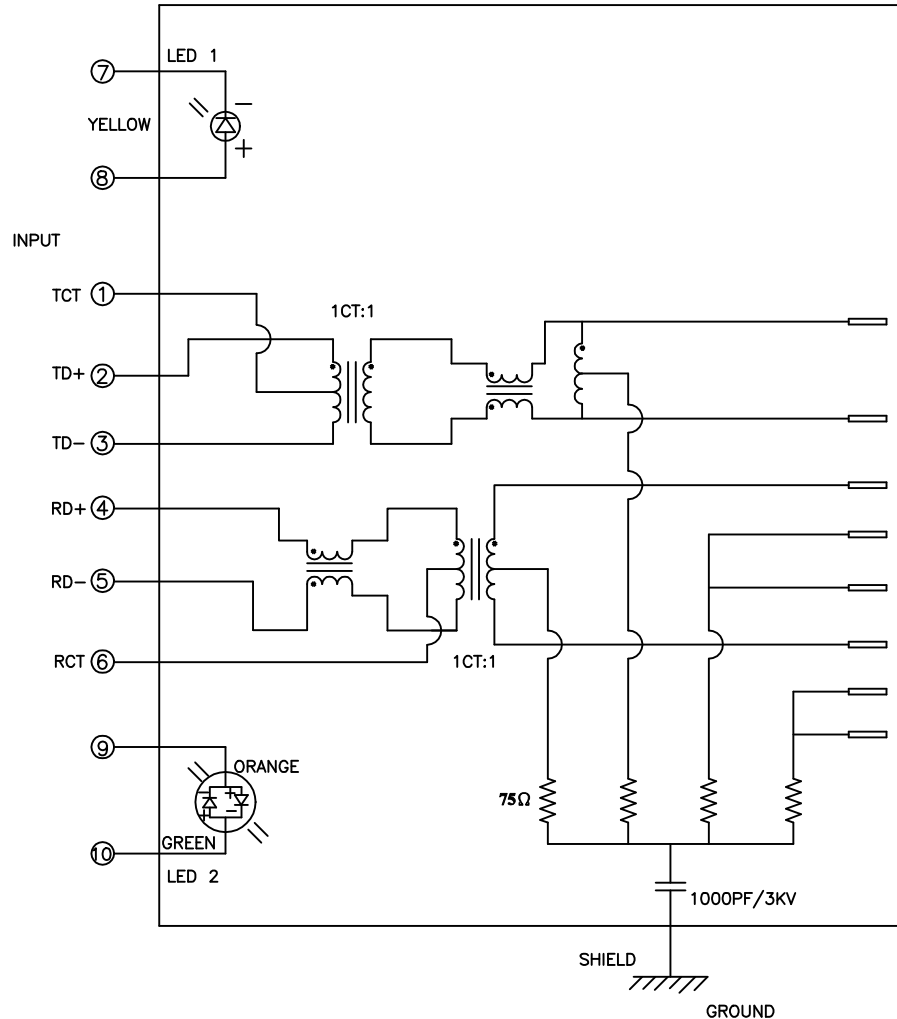
**RECOMMENDED PCB LAYOUT**

COMPONENT SIDE  
PCB THICKNESS : 1.60mm  
ALL DIMENSION TOLERANCE ARE  $\pm 0.05$   
UNLESS OTHERWISE SPECIFIED

|                        |                            |                      |               |  |         |
|------------------------|----------------------------|----------------------|---------------|--|---------|
| DETACHED LISTS         | MM (INCH)                  | DFTO YJL             | DATE 05/21/05 | FULL RISE ELECTRONIC CO., LTD              |         |
|                        | TOLERANCES EXCEPT AS NOTED | CHKDMMW              | DATE 06/07/11 |  |         |
|                        | MM                         | MFO                  | DATE          | TITLE<br>Latch Up Transformer Led Dip Jack |         |
|                        | .0 $\pm$ 0.20              | APPVLLUBW            | DATE 06/07/11 |  |         |
| .00 $\pm$ 0.15         | MATERIAL :                 | QTY :                |               | DRAWING NO. GE5T3264-LA                    | SIZE A3 |
| .000 $\pm$ 0.075       | ANGLES $\pm$               | FINISH :             |               | /PART NO. SEE NOTE                         | REV 1   |
| THIRD ANGLE PROJECTION | SCALE : 5:2                | DO NOT SCALE DRAWING |               | SHEET 1                                    | OF 2    |

| REVISION RECORD |     |                |                   |      |
|-----------------|-----|----------------|-------------------|------|
| REV             | ECO | DESCRIPTION    | DRFT              | CHKD |
| Δ               |     | DRAWING MODIFY | LODRN<br>07/11/05 |      |

SCHEMATIC



RJ45

ELECTRICAL CHARACTERISTICS:

Transmitter filter

Type :Balance low pass 100 OHM impedance

Insertion loss: 1-100MHZ -1.0dB MAX

Return loss: 1-30MHZ -18dB MIN.LOAD 100 OHM

30-60MHZ -16dB MIN.LOAD 100 OHM

60-80MHZ -12dB MIN.LOAD 100 OHM

OUTPUT

1 TX+

Receiver filter

Type :Balance low pass 100 OHM impedance

Insertion loss: 1-100MHZ -1.0dB MAX

Return loss: 1-30MHZ -18dB MIN.LOAD 100 OHM

30-60MHZ -16dB MIN.LOAD 100 OHM

60-80MHZ -12dB MIN.LOAD 100 OHM

2 TX-

3 RX+

4

Common Mode Rejection

@1-100MHZ -30dB MIN.

5

Cross Talk

@1-100MHZ -35dB MIN.

6 RX-

7

INDUCTANCE @100KHZ,0.1V,8mA DC BIAS

input(2-3),input(4-5):400uH MIN

8

Hipot TEST

input(2-3)to Output(1-2):1500VAC,60sec

input(4-5)to Output(3-6):1500VAC,60sec

|   |          |  |   |                               |  |
|---|----------|--|---|-------------------------------|--|
| MM (INCH)<br>TOLERANCES EXCEPT AS NOTED                         |          | DFTO YJL<br>CHKD DATE<br>MFO DATE<br>APPV DATE | DATE 05/21/05<br>DATE<br>DATE   | FULL RISE ELECTRONIC CO., LTD |  |
| DETACHED LISTS<br>MM .0 ±0.20 ±<br>.00 ±0.15 ±<br>.000 ±0.075 ± | ANGLES ± | MATERIAL :<br>QT'Y :<br>FINISH :<br>SCALE :    | TITLE<br>Latch Up Transformer Led Dip Jack<br>DRAWING NO. GE5T3264-LA<br>/PART NO. SEE NOTE<br>DO NOT SCALE DRAWING |                               |  |
| THIRD ANGLE PROJECTION  |          | SIZE A3<br>REV 1<br>07/11/05                   | SHEET 2 OF 2  |                               |  |

H  
G  
F  
E  
D  
C  
B  
A