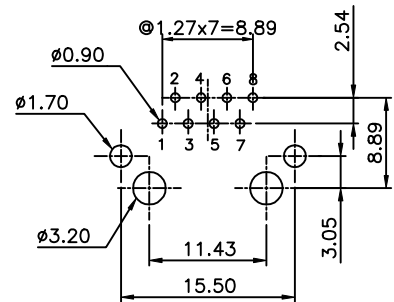
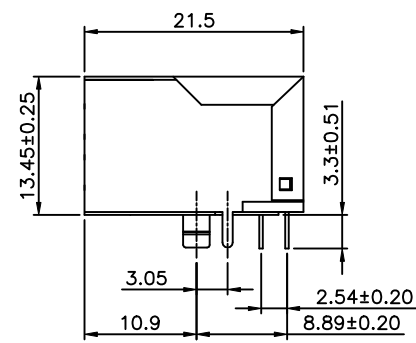
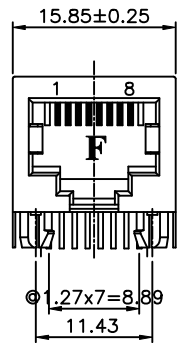


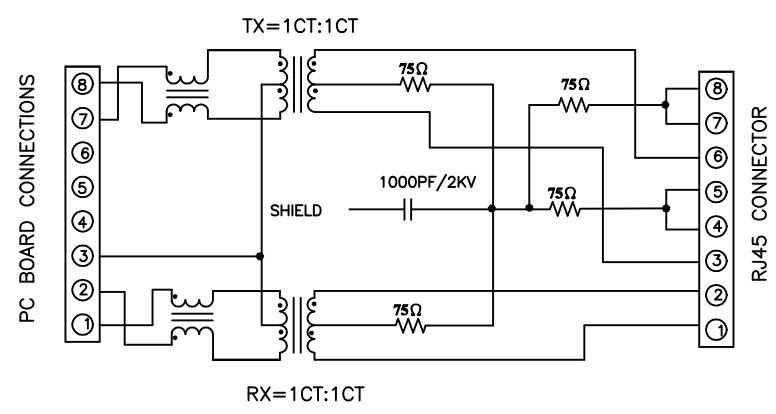
REVISION RECORD				
REV	ECO	DESCRIPTION	DRFT	CHKD
1		Drawing Modification	8/18/04	



T=1.60mm  
PC Board Layout  
Component Side Shown



Schematic:



NOTES:

Characteristics Description:

1. RJ45 10/100 Base-Tx Transformer Jack With Transformer/ Impedance Resistor/High Voltage Capacitor.
2. Size Same As RJ-45 Modular Jack To Save PCB Board Space.
3. Reduce EMI Radiation, Improve EMI Performance.
4. Designed For Network Interface Card Application.
5. Designed To Meet IEEE 802.3u Requirement.
6. Designed For 100 Base Transmission over UTP-5 Cable.
7. Operation Temperature Range: 0°C To 70°C

Electrical Specification:

1. Inductance At 100 KHZ, 100 mV DC Bias: 350 uH MIN
2. C W/W (PF MAX): 28 PF
3. Leakage Inductance At 100 KHZ DC 100 mV: 0.3 uH MAX
4. Insertion Loss: 1.0 dB MAX @ 1-80 MHZ  
1.2 dB MAX @ 100 MHZ
5. Return Loss: 14 dB MIN @ 1-60 MHZ  
10 dB MIN @ 60-100 MHZ
6. Cross Talk: 35 dB MIN @ 1-80 MHZ
7. ISOLATION VOLTAGE @60HZ:1500Vrms(INPUT TO OUTPUT) 60SEC ⚠

Mechanical:

1. Housing Material : Glass Filled Polyester UL94V-0.
2. Contact Material : Phosphor Bronze t=0.35mm.
3. Plating : 1: Contact Area- Selective Gold Plating.  
2: Tail Tin-Lead Over Nickel. ⚠
4. Operating Life : 750 Cycles Min.
5. Pcb Retention Pre-Solder : 1 Lb Min.
6. Pcb Retention Post-Solder : 10 Lbs Min.

Environmental:

1. Storage : -40°C To +85°C.

Mates With Modular Plug Conforming To Fcc Part 68, Subpart F.

Part Number: E5TAB-YV071X

1- 3u" 2- 6u" 3-15u"  
4-30u" 5-50u"

← MM (INCH) → TOLERANCES EXCEPT AS NOTED .0 ±0.20 ± 0.20 .00 ±0.15 ± 0.15 .000 ±0.075 ± 0.075		DFTO SHJ DATE 11/5/03' CHKD SH DATE 2004/11/11 MFO DATE APPV LUB SHENG DATE 2004/11/16	FULL RISE ELECTRONIC CO., LTD TITLE TRANSFORMER PCB JACK (1 PORT)	
ANGLES ± THIRD ANGLE PROJECTION		QT'Y : FINISH : SCALE : 2:1	DRAWING NO. GE5T3094 /PART NO.	SIZE A3 REV 1 10/18/04
DO NOT SCALE DRAWING			SHEET X	OF Y