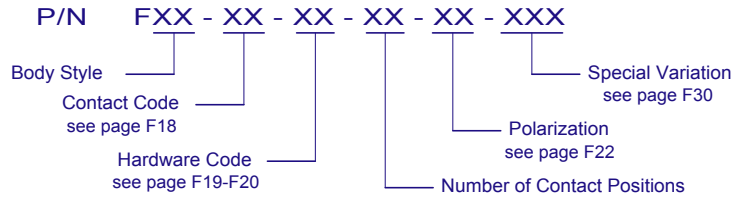
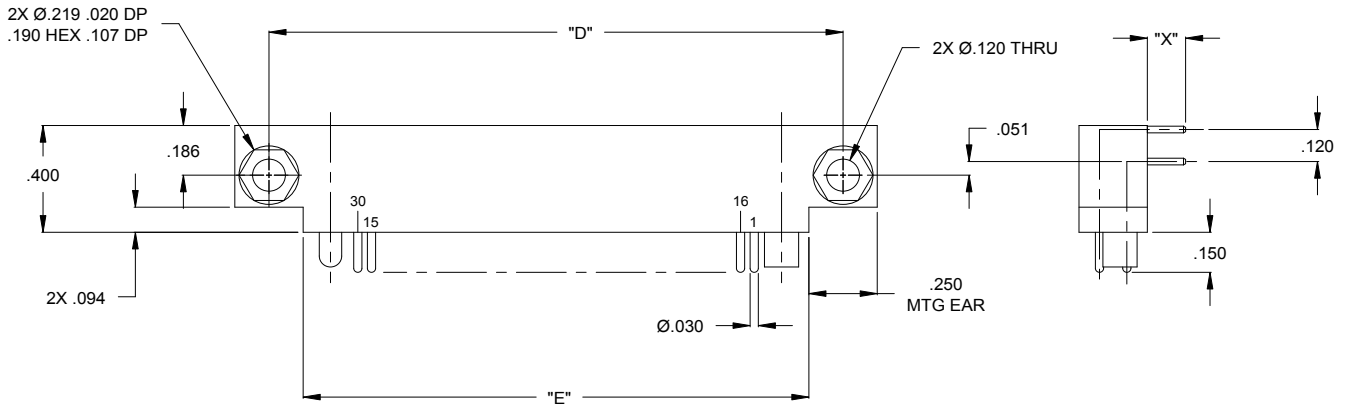
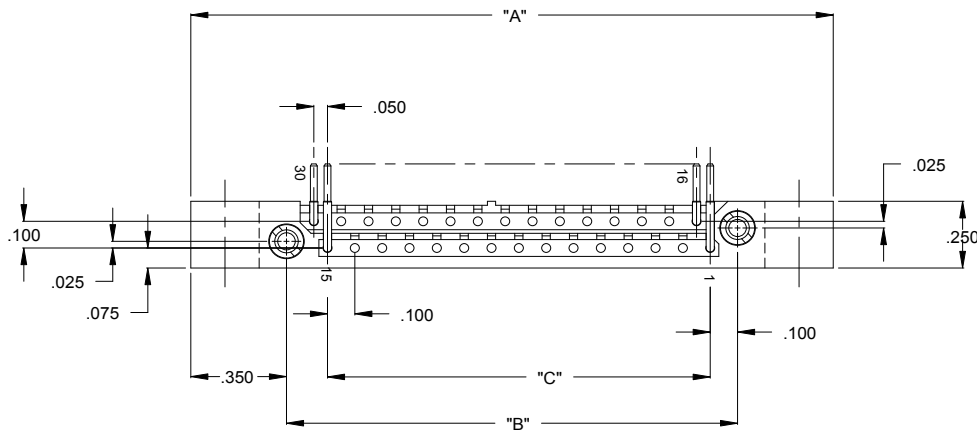


# .100 SERIES 2 ROW RIGHT ANGLE PLUG

FCR | M55302 / 57 Plug  
M55302 / 61 Plug



Dimensions					
No. of Cnt's	"A"	"B"	"C"	"D"	"E"
10	1.350	.650	.400	1.100	.850
14	1.550	.850	.600	1.300	1.050
20	1.850	1.150	.900	1.600	1.350
24	2.050	1.350	1.100	1.800	1.550
26	2.150	1.450	1.200	1.900	1.650
30	2.350	1.650	1.400	2.100	1.850
36	2.650	1.950	1.700	2.400	2.150
40	2.850	2.150	1.900	2.600	2.350
44	3.050	2.350	2.100	2.800	2.550
50	3.350	2.650	2.400	3.100	2.850
54	3.550	2.850	2.600	3.300	3.050
56	3.650	2.950	2.700	3.400	3.150
60	3.850	3.150	2.900	3.600	3.350
66	4.150	3.450	3.200	3.900	3.650
70	4.350	3.650	3.400	4.100	3.850



**MATING CONNECTORS:**

- |                    |
|--------------------|
| FBR, FDR, FTW, FTY |
| FKB, FKD, FKG, FKL |
| FKS, FKT, FKW, FKY |
| FTDR, FTBR         |

FCR - AS SHOWN WITH MTG EARS  
FFR - WITHOUT MTG EARS