

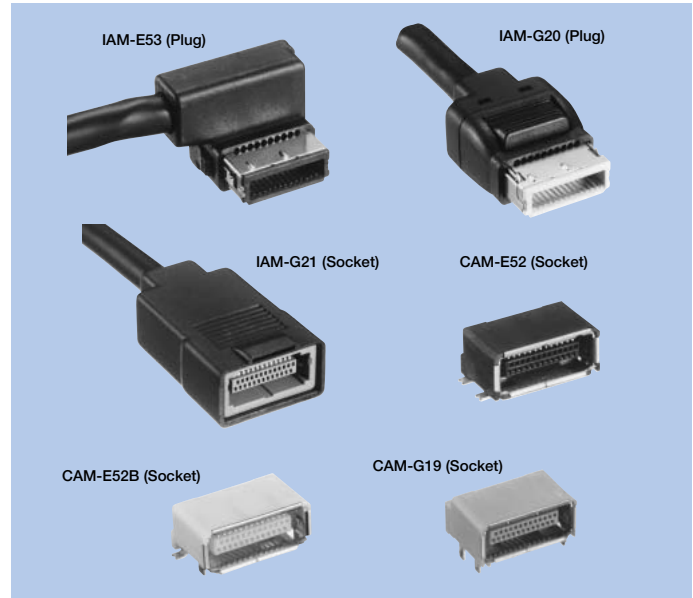
Rectangular Connectors

IAM-E53 · G20 · G21, CAM-E52 · E52B · G19

Connectors

FEATURES

1. These are external connectors for connecting different units. CAM-E52 is the surface mounting type, G19 is the dip type, IAM-E53 is the L type, G20 is straight, and G21 is for relay.
2. The depth of IAM-E53 when coupled is set at 12mm, making it easy to ensure mounting space.
3. There are three coupling keys available, so there is no risk of miscoupling when using several of the same connector.
4. The pressure connection type with coupling pitch of 1mm is utilized.



HOW TO ORDER

1. IAM-E53 (Angle Plug)

E53-026-3806

1 2 3

- 1 Series No. (E53 : L type)
- 2 No. of contacts (026 : 26pins)
- 3 Supplementary symbol
A : Key-typeA Housing Black
B : Key-typeB Housing Blue
C : Key-typeC Housing Green

3. IAM-G21 (Cable extension Socket)

G21-026-5272A

1 2 3

- 1 Series No. (G21 : Straight type for relay)
- 2 No. of contacts (026 : 26pins)
- 3 Supplementary symbol
A : Key-type free Housing Gray

5. CAM-E52B (SMT Socket/GND Through hole)

E52B-026-230-AAGAA-

1 2 3

- 1 Series No. (E52B : SMT type)
- 2 No. of contacts (026 : 26pins)
- 3 Supplementary symbol
A: Key-typeA Housing Black
B: Key-typeB Housing Blue
C: Key-typeC Housing Green

2. IAM-G20 (Straight Plug)

G20-026-5267

1 2 3

- 1 Series No. (G20 : Straight type)
- 2 No. of contacts (026 : 26pins)
- 3 Supplementary symbol
A : Key-typeA Housing Black
B : Key-typeB Housing Blue
C : Key-typeC Housing Green

4. CAM-E52 (SMT Socket)

E52-026-050-AGGAA-

1 2 3

- 1 Series No. (G21 : SMT type)
- 2 No. of contacts (026 : 26pins)
- 3 Supplementary symbol
A : Key-typeA Housing Black
B : Key-typeB Housing Blue
C : Key-typeC Housing Green

6. CAM-G19 (Dip Socket)

G19-026-020-BGBAA-

1 2 3

- 1 Series No. (G19 : dip type)
- 2 No. of contacts (026 : 26pins)
- 3 Supplementary symbol
A: Key-typeA Housing Black
B: Key-typeB Housing Blue
C: Key-typeC Housing Green

SPECIFICATIONS

ELECTRICAL CHARACTERISTICS

Rated Voltage	30V DC
Rated Current	0.5A (1A up to pin 4)
Withstanding Voltage	300V AC 1minute
Insulation Resistance	100MΩ min.
Contact Resistance	100mΩ max.

MECHANICAL CHARACTERISTICS

Life (Matching Cycle)	5,000 times
Total Withdrawal Force	1.96~39.2N (0.2~4kgf) max.
Lock Strength	49N (5kgf) min.
Using Temperature Range	-30~+85°C

WIRE SIZES

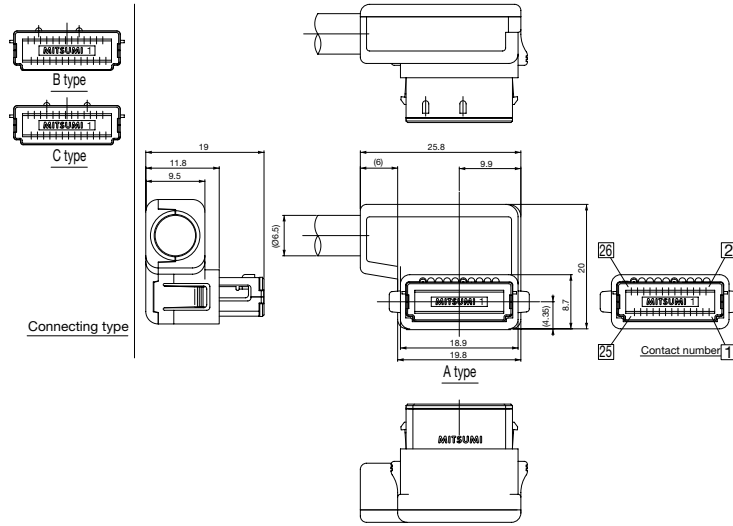
Wire Sizes	AWG 26~32
Wire Covering Diameter	Ø0.7 max.
Cable Outside Diameter	E53: Ø6.5 max. G20, G21: Ø7 max.

MATERIAL & FINISH

Component parts		Material	Finish
IAM-E53	Housing	PBT resin	(Each color)
	Contact	Copper Alloy	Gold plating
	Shield Case	Copper Alloy	Nickel plating
	Case	PBT resin	(Black)
	Clamper	Steel	Plating steel plate
IAM-G20	Housing	PBT resin	(Each color)
	Contact	Copper Alloy	Gold plating
	Shield Case	Stainless	—
	Case	PBT resin	(Black)
	Clamper	Steel	Plating steel plate
IAM-G21	Housing	PBT resin	(Each color)
	Contact	Copper Alloy	Gold plating
	Contact for relay	Copper Alloy	Gold plating
	Shield Case	Stainless	—
	Case	PBT resin	(Black)
	Clamper	Steel	Plating steel plate
CAM-E52 · E52B	Housing	Nylon	(Each color)
	Contact	Copper Alloy	Gold plating
	Metal Cover	Copper Alloy	Copper-tin plating
CAM-G19	Housing	PBT resin	(Each color)
	Contact	Copper Alloy	Gold plating
	Metal Cover	Copper Alloy	Tin plating
	Location Plate	PBT resin	(Black)

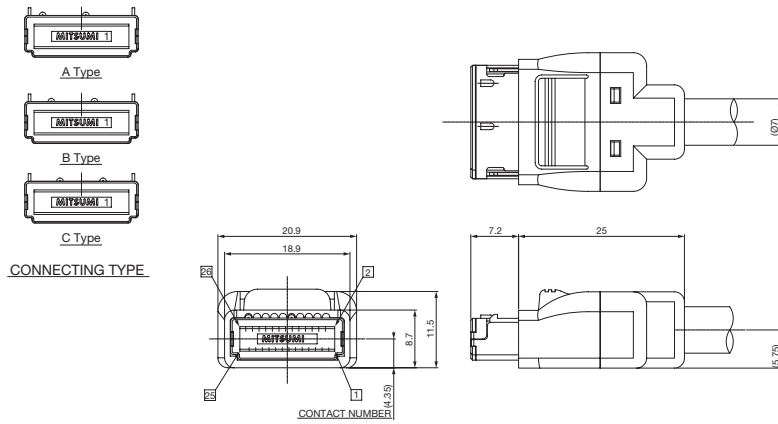
DIMENSIONS

IAM-E53



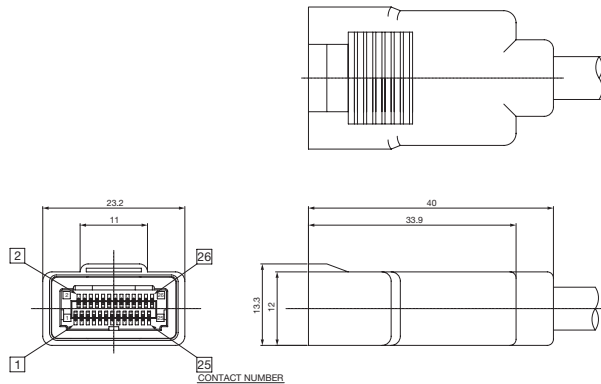
Unit: mm

IAM-G20



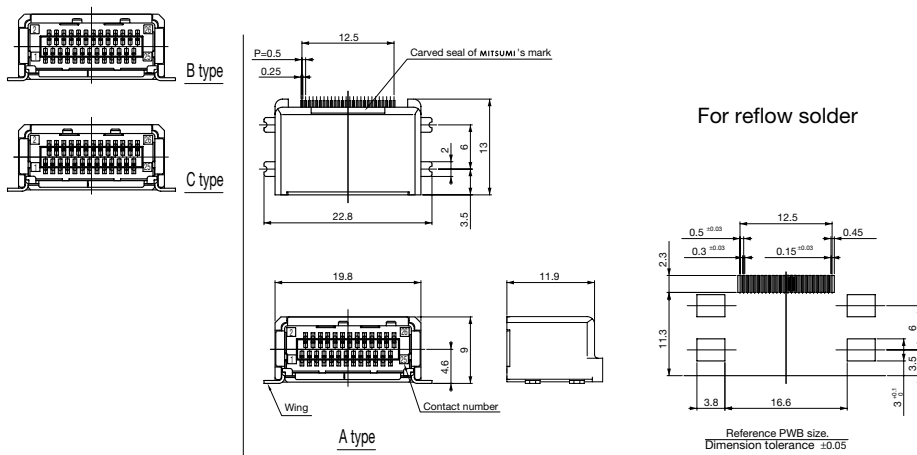
Unit: mm

IAM-G21



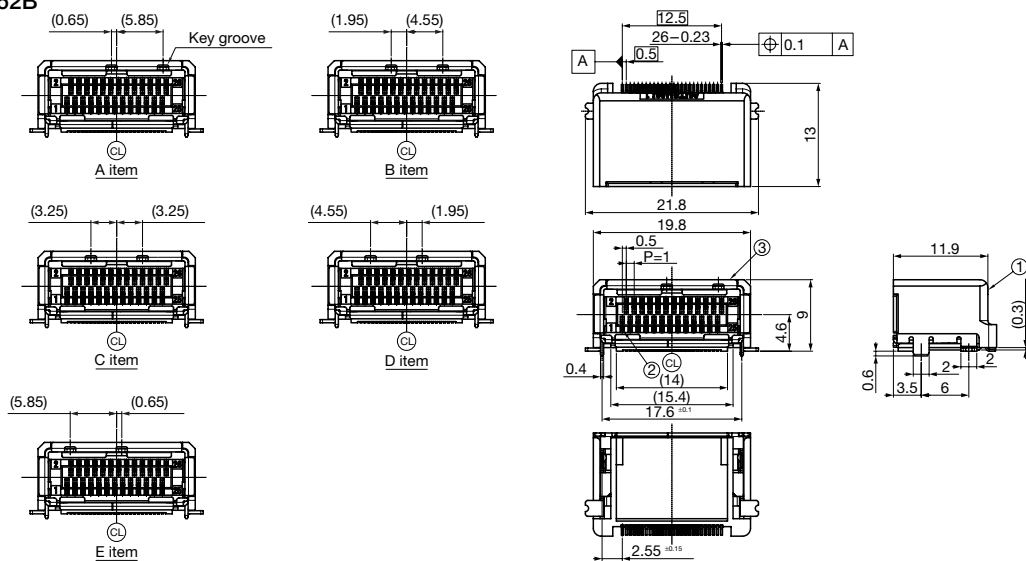
Unit: mm

CAM-E52



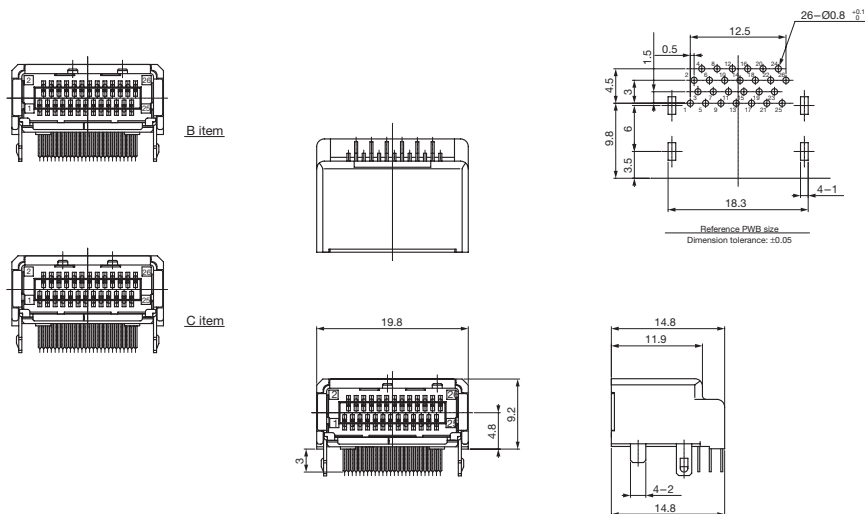
Unit: mm

CAM-E52B



Unit: mm

CAM-G19



Unit: mm