



## P/N: H4P140NX LF DATA SHEET

### Feature



- Magnetic designs to support every PHY.
- Complies with IEEE 802.3 standards including 350 uH min OCL with 8mA bias.
- Comply with RoHS requirements-whole part No Cd, No Hg, No Cr6+, No PBB and PBDE and No Pb on external pins.
- Operating temperature range: 0 to +70 .
- Storage temperature range: -25 to +105 .

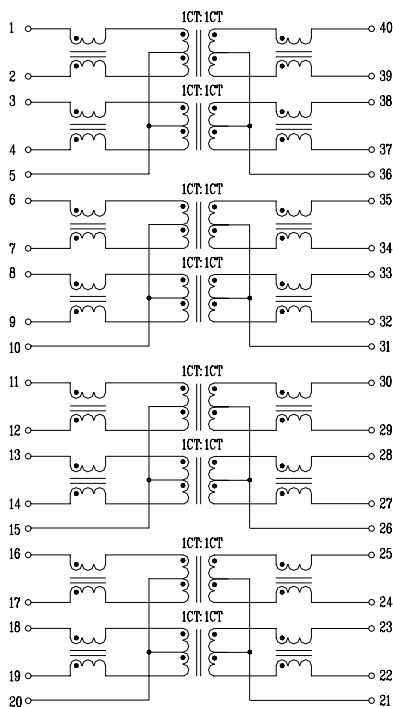
### Electrical Specifications @ 25°C

Part Number	Turns Ratio (±3%)		OCL (uH Min) @100KHz/0.1V with 8mA DC Bias	Insertion Loss (dB Max) 1-100MHz	HI-POT (Vrms)
	TX	RX			
H4P140NX LF	1CT:1CT	1CT:1CT	350	-1.2	1500

### Continue

Part Number	Return Loss (dB Min)			Cross talk (dB Min)			CMR (dB Min)		
	30MHz	50MHz	80MHz	0.3-30MHz	30-60MHz	60-100MHz	1-30MHz	30-60MHz	60-125MHz
H4P140NX LF	-15	-13	-11	-40	-35	-30	-30	-25	-20

### Schematic



### Mechanical

