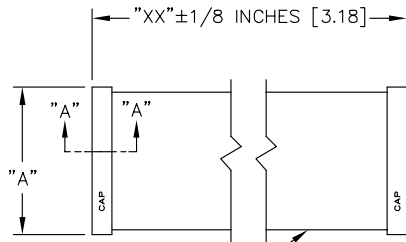
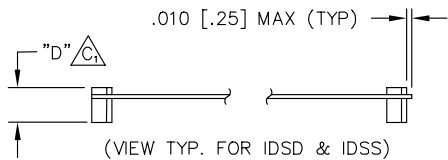


DIMENSIONS ARE IN INCHES		UNLESS OTHERWISE NOTED	TOLERANCES ARE:	TITLE: ASSEMBLY	DWG NO:
ONE PLACE DECIMALS: ± .1 [3]	THREE PLACE DECIMALS: ± .005 [.13]	ANGLES	± 5°	INSULATION DISPLACEMENT SOCKET CONNECTOR	IDSX-XX-X-XX-XXX-XXX
TWO PLACE DECIMALS: ± .01 [.3]	FOUR PLACE DECIMALS: ± .0020 [.051]				SHEET 1 OF 2

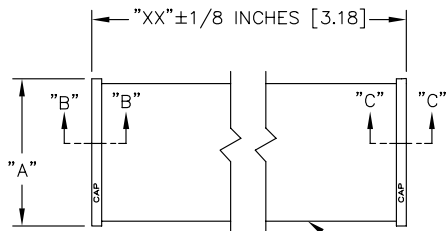


IDSD

BROWN INDICATES PIN #1

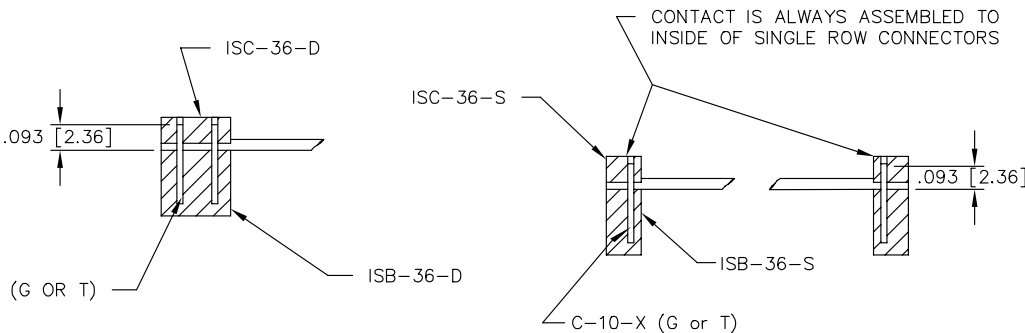


POSITION	"D"
2,3,4	.360 ± .005 / .000 [9.14 ± .13 / .00]
5 AND UP	.365 ± .010 / .005 [9.27 ± .25 / .13]



IDSS

BROWN INDICATES PIN #1



SECT. A-A

SECT. B-B

SECT. C-C

Do not scale from this print.

PROPRIETARY NOTE
THIS DOCUMENT CONTAINS INFORMATION CONFIDENTIAL AND PROPRIETARY TO SAMTEC INC. AND SHALL NOT BE REPRODUCED OR TRANSFERRED TO OTHER DOCUMENTS OR DISCLOSED TO OTHERS OR USED FOR ANY PURPOSE OTHER THAN THAT FOR WHICH IT WAS OBTAINED WITHOUT THE EXPRESSED WRITTEN CONSENT OF SAMTEC INC.

IDSX-XX-X-XX-XXX-XXX

ROW SPECIFICATION

- S: SINGLE ROW
- D: DOUBLE ROW

NO. OF CONDUCTORS
(-02 THRU -36 PER ROW)

- USE CABLE: CB-XX-28-7/36-050-C (IDSD)
- USE CABLE: CB-XX-28-7/36-100-C (IDSS)
- IDSD FULL STRIP: "A" = 3.650 ± .005 [92.71 ± .13] REF
- CUT STRIP: "A" ± .015 [.38] = ("XX" x .100 [2.54]) + .059 [1.50]
- IDSS FULL STRIP: "A" = 3.610 ± .005 [91.69 ± .13] REF
- CUT STRIP: "A" ± .015 [.38] = ("XX" x .100 [2.54]) + .019 [.48]
- * NOTE: STANDARD COLOR-CODED CABLE N/A FOR DOUBLE ROW 31 THRU 36 POSITION - SEE -G OPTION.

END ASSEMBLY SPECIFICATIONS

- S: (SINGLE) ONE IDC ASSEMBLY
- D: (DOUBLE) TWO IDC ASSEMBLIES

NOTES

1. OPTION -SXX WHEN MATING DOUBLE ROW CONNECTOR WITH 2 SINGLE ROW CONNECTORS, THE OUTER MOST SINGLE WILL BE CONNECTED TO CONDUCTOR #1 AND THE INSIDE SINGLE TO CONDUCTOR #2.
2. USING A #32 MICRO FINISHED .025 ± .0005 [.64 ± .013] SQ POST, INSERTION / WITHDRAWAL FORCES TO BE:
INSERTION: 4.0 OZ [114 GRAMS] AVG / 6.0 OZ [170 GRAMS] MAX
WITHDRAWAL: 2.75 OZ [78.0 GRAMS] AVG / 2.0 OZ [57 GRAMS] MIN.
3. MAX ALLOWABLE BOW AFTER ASSEMBLY TO BE .006 INCH/INCH [MM/MM].
4. (C) REPRESENTS CRITICAL DIMENSION FOR STATISTICAL PROCESS CONTROL.
5. A CHAMFER ON THE END OF THE CAP IS GUARANTEED ON FINAL ASSEMBLIES THAT ARE AT LEAST 18 POSITIONS FOR MALE AND FEMALE TERMINATION.
6. ALL ASSEMBLIES TO BE 100% ELECTRICALLY TESTED FOR SHORTS AND OPENS.
7. ALL ASSEMBLIES TO BE 100% HI-POT TESTED AT 1000V.

- OPTION SPECIFICATION SEE SHEET 2
- OPTION SPECIFICATION SEE SHEET 2
- LENGTH OF CABLE MEASURED IN INCHES

RIBS OF GRAY CABLE GO TO CAP SIDE

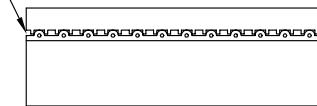


FIG 1

samtec

MISC MKTG
IDSMKMT

520 PARK EAST BLVD. NEW ALBANY, INDIANA 47150
PHONE (812) 944-6733 P.O. BOX 1147
CODE 55322

MADE BY: PURVIS 11-02-88
CHECKED BY:

ENG. APPROVAL

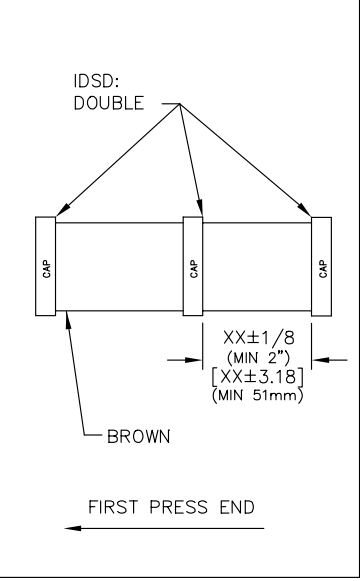
IDSX-XX-X-XX-XXX-XXX
SHEET 1 OF 2

OPTIONS

-T
PLATING

-T: TIN BOTH ENDS
 -USE C-10-T

-DXX IDSS N/A
 DAISY CHAIN- DOUBLE



Do not scale from this print.

PROPRIETARY NOTE
 THIS DOCUMENT CONTAINS INFORMATION CONFIDENTIAL AND PROPRIETARY TO SAMTEC INC. AND SHALL NOT BE REPRODUCED OR TRANSMITTED TO OTHER DOCUMENTS OR DISCLOSED TO OTHERS OR USED FOR ANY PURPOSE OTHER THAN THAT FOR WHICH IT WAS OBTAINED WITHOUT THE EXPRESSED WRITTEN CONSENT OF SAMTEC INC.

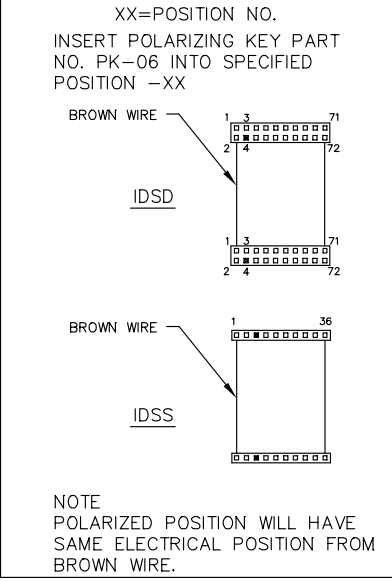
-G
GRAY CABLE

SUBSTITUTE GRAY CABLE FOR STANDARD COLOR CODED CABLE.

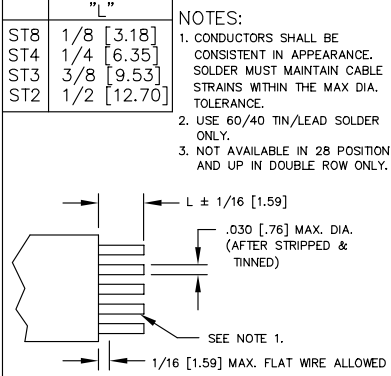
USE:
 IDSS: CB-XX-28-7/36-050-G
 IDSS: CB-XX-28-7/36-100-G
 (SEE FIG. 1)

NOTE: USE GRAY CABLE FOR DOUBLE ROW -31 THRU -36 POSITION.

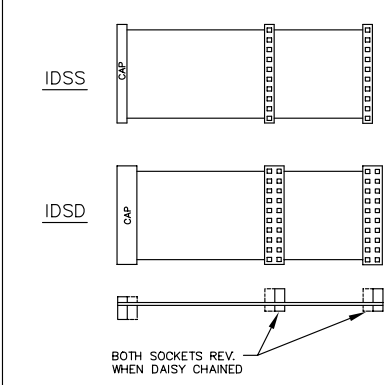
-PXX
POLARIZED MATING



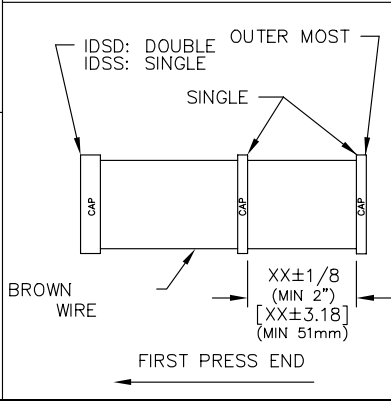
-ST"X"
STRIPPED & TINNED



-R
REVERSED CONNECTOR



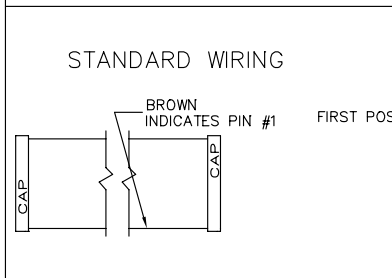
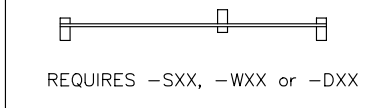
-SXX
DAISY CHAIN- SINGLE



-WXX
WRING REVERSED

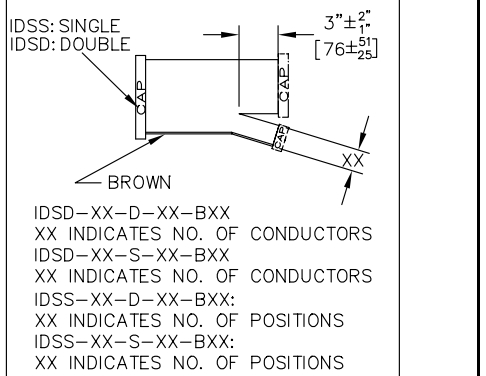
SAME AS -SXX EXCEPT OUTER STRIP CONNECTED TO CONDUCTOR #2 AND INSIDE STRIP CONNECTED TO CONDUCTOR #1

-M
MIDDLE REVERSED



NOTE
 OPTION -SXX WHEN MATING DOUBLE ROW CONNECTOR WITH 2 SINGLE ROW CONNECTORS, THE OUTER MOST SINGLE WILL BE CONNECTED TO CONNECTOR #1 AND THE INSIDE SINGLE TO CONNECTOR #2.

-BXX
BREAKOUT



-O
OUTSIDE REVERSED

