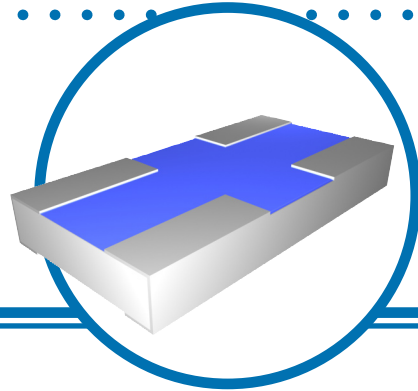


Low Range 3 Watt SMT Chip Resistor

LRF3W Series

- Tolerances to $\pm 1\%$
- 3 Watt @ 70°C power dissipation
- Resistance range from 0.002 to 0.200 Ω
- Ideal for high current sensing applications
- Standard 60/40 Sn/Pb and 100% tin (Pb-free) terminations available

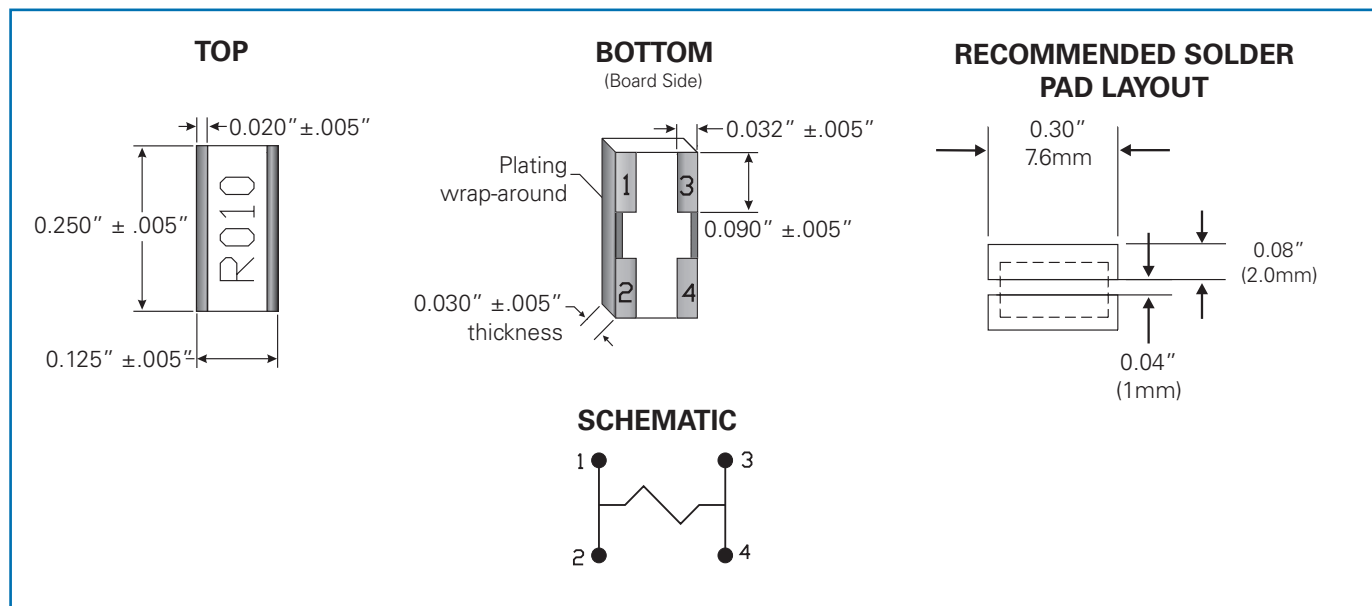


Electrical Data

Resistance Range		TCR (ppm/°C)	Power Rating at 70°C (Watts)	Maximum Voltage Rating	Operating Temperature	Termination
Tolerance F, G, J, K	Tolerance J, K					
0.005 to 0.200 Ω	0.002 to 0.200 Ω	$\pm 100^*$	3.0	50V	-55°C to +150°C	Leach-resistant solder-plated copper wrap-around

*Note: Contact factory for TCR information on resistance values $\leq 0.005\Omega$.

Physical Data



General Note

IRC reserves the right to make changes in product specification without notice or liability. All information is subject to IRC's own data and is considered accurate at time of going to print.

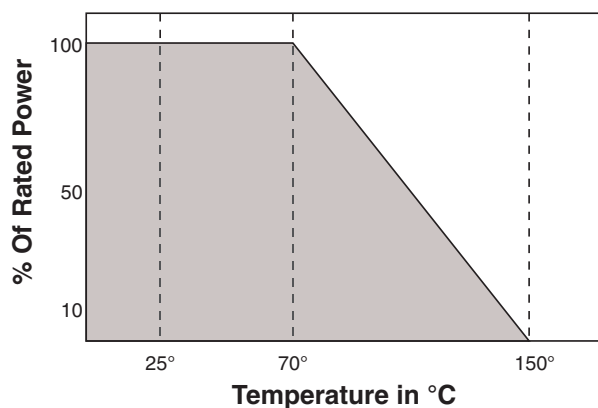
© IRC Advanced Film Division • Corpus Christi Texas 78411 USA
Telephone: 361 992 7900 • Facsimile: 361 992 3377 • Email: afdsales@ircct.com • Website: www.ircct.com

Low Range 3 Watt SMT Chip Resistor

Environmental Data

Environmental Test	Test Method	Performance (Resistance Change)
Thermal Shock	MIL-STD-202 Method 107 Condition B, -65°C +125°C	±0.5%
Short Time Overload	MIL-PRF-55342	±0.5%
High Temperature Exposure	MIL-PRF-55342	±0.5%
Temperature Cycling	MIL-STD-883 Method 1010 Condition B, -65°C +125°C	±0.25%
Moisture Resistance	MIL-PRF-55342	±0.5%
Load Life	MIL-PRF-55342 Rated Power @ 70°C	±1.0%
Low Temperature Operation	MIL-PRF-55342	±0.5%
Resistance to Solder Heat	MIL-STD-202 Method 210	±0.25%
Leach Resistance	Molten Solder 250°C	90 seconds minimum

Power Derating Curve



Ordering Data

Prefix **LRC** - **LRF3W** - **01** - **R020** - **F**

Model

LRF3W = 3 watt chip with standard 60/40 termination
LRF3WLF = 3 watt chip with 100% tin Pb-free termination

TCR Code

01 = ±100ppm/°C

Resistance Code

4-Digit resistance code.
Ex: R050 = 0.050Ω; R005 = 0.005Ω

Tolerance Code

F = ±1%, G = ±2%, J = ±5%, K = ±10%

For additional information or to discuss your specific requirements,
please contact our Applications Team using the contact details below.