

MC14LC5540

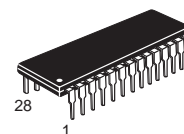
Technical Summary
ADPCM Codec

This technical summary provides a brief description of the MC14LC5540 ADPCM Codec. A complete data book for the MC14LC5540 is available and can be ordered from your local Motorola sales office. The data book number is MC145540/D.

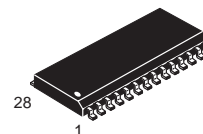
The MC14LC5540 ADPCM Codec is a single chip implementation of a PCM Codec-Filter and an ADPCM encoder/decoder, and therefore provides an efficient solution for applications requiring the digitization and compression of voiceband signals. This device is designed to operate over a wide voltage range, 2.7 to 5.25V and, as such, is ideal for battery powered as well as ac powered applications. The MC14LC5540 ADPCM Codec also includes a serial control port and internal control and status registers that permit a microcomputer to exercise many built-in features.

The ADPCM Codec is designed to meet the 32 kbps ADPCM conformance requirements of CCITT Recommendation G.721-1988 and ANSI T1.301. It also meets ANSI T1.303 and CCITT Recommendation G.723-1988 for 24 kbps ADPCM operation, and the 16 kbps ADPCM standard, CCITT Recommendation G.726. This device also meets the PCM conformance specification of the CCITT G.714 Recommendation.

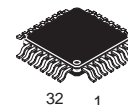
- Single 2.7 to 5.25 V Power Supply
- Typical 2.7 V Power Dissipation of 43 mW, Power-Down of 15 μ W
- Differential Analog Circuit Design for Lowest Noise
- Complete Mu-Law and A-Law Companding PCM Codec-Filter
- ADPCM Transcoder for 64, 32, 24, and 16 kbps Data Rates
- Universal Programmable Dual Tone Generator
- Programmable Transmit Gain, Receive Gain, and Sidetone Gain
- Low Noise, High Gain, Three Terminal Input Operational Amplifier for Microphone Interface
- Push-Pull, 300 Ω Power Drivers with External Gain Adjust for Receiver Interface
- Push-Pull, 300 Ω Auxiliary Output Drivers for Ringer Interface
- Voltage Regulated Charge Pump to Power the Analog Circuitry in Low Voltage Applications
- Receive Noise Burst Detect Algorithm
- Order Complete Document as MC145540/D
- Device Supported by MC145537EVK ADPCM Codec Evaluation Kit



P SUFFIX
PLASTIC DIP
CASE 710



DW SUFFIX
SOG PACKAGE
CASE 751F



FU SUFFIX
TQFP
CASE 873A

ORDERING INFORMATION

MC14LC5540P Plastic DIP
MC14LC5540DW SOG Package
MC14LC5540FU TQFP

This document contains information on a product under development. Motorola reserves the right to change or discontinue this product without notice.

REV 3
11/2002

© Motorola, Inc. 2002

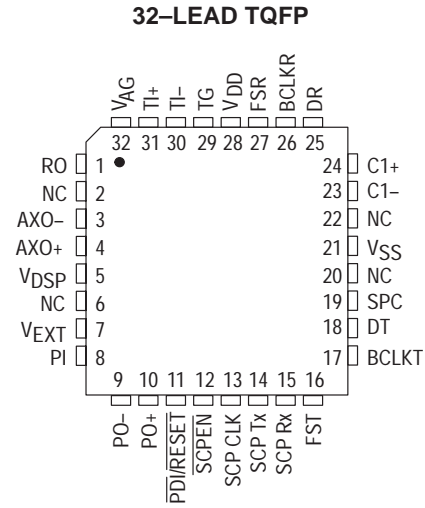
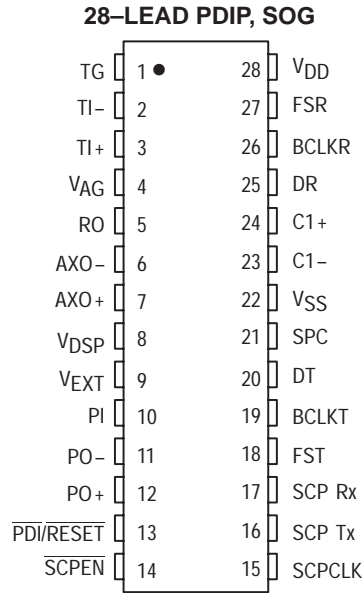
**For More Information On This Product,
Go to: www.freescale.com**



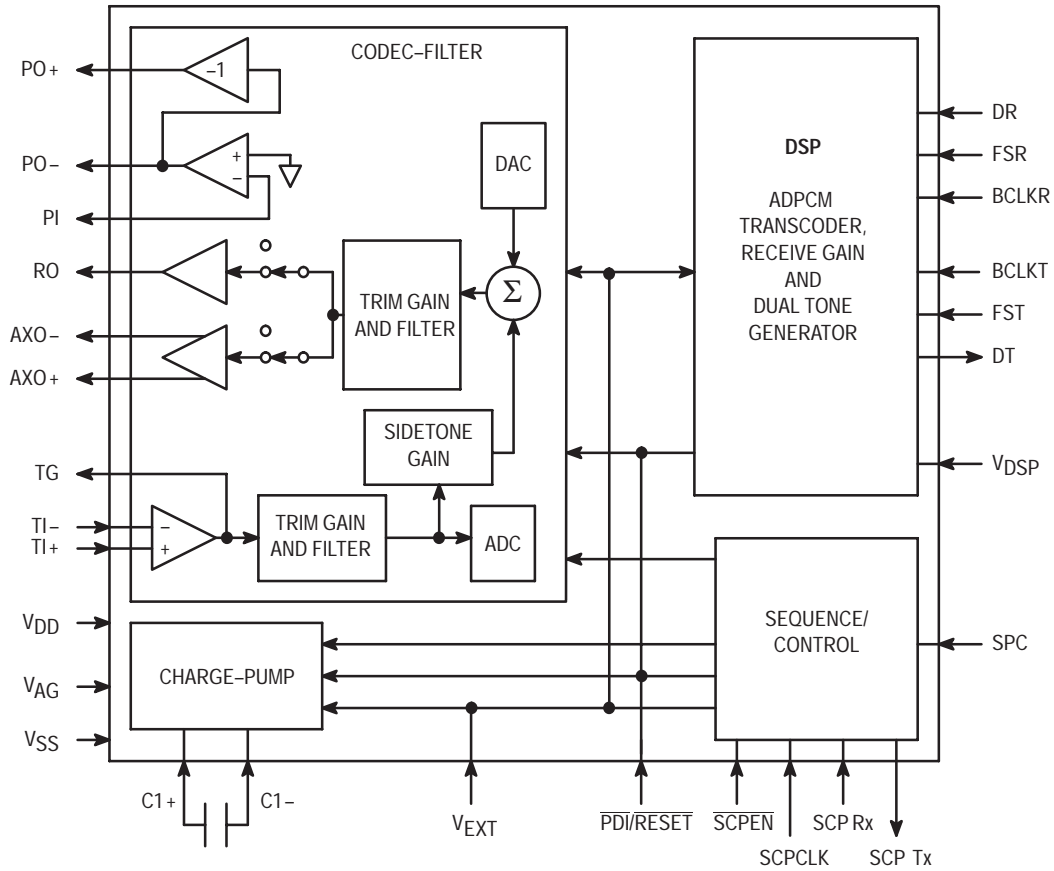
MOTOROLA

Freescale Semiconductor, Inc.

PIN ASSIGNMENT



BLOCK DIAGRAM



PIN DESCRIPTIONS

POWER SUPPLY PINS

V_{SS}

Negative Power Supply

(PDIP, SOG—Pin 22; TQFP—Pin 21)

This is the most negative power supply and is typically connected to 0 V.

V_{EXT}

External Power Supply Input

(PDIP, SOG—Pin 9; TQFP—Pin 7)

This power supply input pin must be between 2.70 and 5.25 V. Internally, it is connected to the input of the V_{DSP} voltage regulator, the 5 V regulated charge pump, and all digital I/O including the Serial Control Port and the ADPCM Serial Data Port. This pin is also connected to the analog output drivers (PO+, PO-, AXO+, and AXO-). This pin should be decoupled to V_{SS} with a 0.1 μF ceramic capacitor. This pin is internally connected to the V_{DD} and V_{DSP} pins when the device is powered down.

V_{DSP}

Digital Signal Processor Power Supply Output

(PDIP, SOG—Pin 8; TQFP—Pin 5)

This pin is connected to the output of the on-chip V_{DSP} voltage regulator which supplies the positive voltage to the DSP circuitry and to the other digital blocks of the ADPCM Codec. This pin should be decoupled to V_{SS} with a 0.1 μF ceramic capacitor. This pin cannot be used for powering external loads. This pin is internally connected to the V_{EXT} pin during power-down to retain memory.

V_{DD}

Positive Power Supply Input/Output

(PDIP, SOG, TQFP—Pin 28)

This is the positive output of the on-chip voltage regulated charge pump and the positive power supply input to the analog sections of the device. Depending on the supply voltage available, this pin can function in one of two different operating modes:

1. When V_{EXT} is supplied from a regulated 5 V (± 5%) power supply, V_{DD} is an input and should be externally connected to V_{EXT}. Charge pump capacitor C1 should not be used and the charge pump should be disabled in BR0 (b2). In this case V_{EXT} and V_{DD} can share the same 0.1 μF ceramic decoupling capacitor to V_{SS}.
2. When V_{EXT} is supplied from 2.70 to 5.25 V, such as battery powered applications, the charge pump should be used. In this case, V_{DD} is the output of the on-chip voltage regulated charge pump and must **not** be connected to V_{EXT}. V_{DD} should be decoupled to V_{SS} with a 1.0 μF ceramic capacitor. This pin cannot be used for powering external loads in this operating mode. This pin is internally connected to the V_{EXT} pin when the charge pump is turned off or the device is powered down.

V_{AG}

Analog Ground Output

(PDIP, SOG—Pin 4; TQFP—Pin 32)

This output pin provides a mid-supply analog ground regulated to 2.4 V. All analog signal processing within this device is referenced to this pin. This pin should be decoupled to V_{SS} with a 0.01 μF ceramic capacitor. If the audio signals to be processed are referenced to V_{SS}, then special precautions must be utilized to avoid noise between V_{SS} and the V_{AG} pin. Refer to the applications information in this document for more information. The V_{AG} pin becomes high impedance when in analog power-down mode.

C1-, C1+

Charge Pump Capacitor Pins

(PDIP, SOG, TQFP—Pins 23 and 24)

These are the capacitor connections to the internal voltage regulated charge pump that generates the V_{DD} supply voltage. A 0.1 μF capacitor should be placed between these pins. Note that if an external V_{DD} is supplied, this capacitor should not be in the circuit.

ANALOG INTERFACE PINS

TG

Transmit Gain

(PDIP, SOG—Pin 1; TQFP—Pin 29)

This is the output of the transmit gain setting operational amplifier and the input to the transmit band-pass filter. This op amp is capable of driving a 2 kΩ load to the V_{AG} pin. When TI- and TI+ are connected to V_{DD}, the TG op amp is powered down and the TG pin becomes a high-impedance input to the transmit filter. All signals at this pin are referenced to the V_{AG} pin. This pin is high impedance when the device is in the analog power-down mode. This op amp is powered by the V_{DD} pin.

TI-

Transmit Analog Input (Inverting)

(PDIP, SOG—Pin 2; TQFP—Pin 30)

This is the inverting input of the transmit gain setting operational amplifier. Gain setting resistors are usually connected from this pin to TG and from this pin to the analog signal source. The common mode range of the TI+ and TI- pins is from 1.0 V, to V_{DD} - 2 V. Connecting this pin and TI+ to V_{DD} will place this amplifier's output (TG) in a high-impedance state, thus allowing the TG pin to serve as a high-impedance input to the transmit filter.

TI+

Transmit Analog Input (Non-Inverting)

(PDIP, SOG—Pin 3; TQFP—Pin 31)

This is the non-inverting input of the transmit input gain setting operational amplifier. This pin accommodates a differential to single-ended circuit for the input gain setting op amp. This allows input signals that are referenced to the V_{SS} pin to be level shifted to the V_{AG} pin with minimum noise. This pin may be connected to the V_{AG} pin for an inverting amplifier configuration if the input signal is already referenced to the V_{AG} pin. The common mode range of the TI+ and TI- pins is from 1.0 V to V_{DD} - 2 V. Connecting this pin and TI- to V_{DD} will place this amplifier's output (TG) in a

high-impedance state, thus allowing the TG pin to serve as a high-impedance input to the transmit filter.

RO

Receive Analog Output (PDIP, SOG—Pin 5; TQFP—Pin 1)

This is the non-inverting output of the receive smoothing filter from the digital-to-analog converter. This output is capable of driving a 2 k Ω load to 1.575 V peak referenced to the V_{AG} pin. This pin may be dc referenced to either the V_{AG} pin or a voltage of half of V_{EXT} by BR2 (b7). This pin is high impedance when the device is in the analog power-down mode. This pin is high impedance except when it is enabled for analog signal output.

AXO-

Auxiliary Audio Power Output (Inverting) (PDIP, SOG—Pin 6; TQFP—Pin 3)

This is the inverting output of the auxiliary power output drivers. The Auxiliary Power Driver is capable of differentially driving a 300 Ω load. This power amplifier is powered from V_{EXT} and its output can swing to within 0.5 V of V_{SS} and V_{EXT}. This pin may be dc referenced to either the V_{AG} pin or a voltage of half of V_{EXT} by BR2 (b7). This pin is high impedance in power down. This pin is high impedance except when it is enabled for analog signal output.

AXO+

Auxiliary Audio Power Output (Non-Inverting) (PDIP, SOG—Pin 7; TQFP—Pin 4)

This is the non-inverting output of the auxiliary power output drivers. The Auxiliary Power Driver is capable of differentially driving a 300 Ω load. This power amplifier is powered from V_{EXT} and its output can swing to within 0.5 V of V_{SS} and V_{EXT}. This pin may be dc referenced to either the V_{AG} pin or a voltage of half of V_{EXT} by BR2 (b7). This pin is high impedance in power down. This pin is high impedance except when it is enabled for analog signal output.

PI

Power Amplifier Input (PDIP, SOG—Pin 10; TQFP—Pin 8)

This is the inverting input to the PO- amplifier. The non-inverting input to the PO- amplifier may be dc referenced to either the V_{AG} pin or a voltage of half of V_{EXT} by BR2 (b7). The PI and PO- pins are used with external resistors in an inverting op amp gain circuit to set the gain of the PO+ and PO- push-pull power amplifier outputs. Connecting PI to V_{DD} will power down these amplifiers and the PO+ and PO- outputs will be high impedance.

PO-

Power Amplifier Output (Inverting) (PDIP, SOG—Pin 11; TQFP—Pin 9)

This is the inverting power amplifier output that is used to provide a feedback signal to the PI pin to set the gain of the push-pull power amplifier outputs. This power amplifier is powered from V_{EXT} and its output can swing to within 0.5 V of V_{SS} and V_{EXT}. This should be noted when setting the gain of this amplifier. This pin is capable of driving a 300 Ω load to

PO+ independent of supply voltage. The PO+ and PO- outputs are differential (push-pull) and capable of driving a 300 Ω load to 3.15 V peak, which is 6.3 V peak-to-peak when a nominal 5 V power supply is used for V_{EXT}. The bias voltage and signal reference for this pin may be dc referenced to either the V_{AG} pin or a voltage of half of V_{EXT} by BR2 (b7). Low impedance loads must be between PO+ and PO-. This pin is high impedance when the device is in the analog power-down mode. This pin is high impedance except when it is enabled for analog signal output.

PO+

Power Amplifier Output (Non-Inverting) (PDIP, SOG—Pin 12; TQFP—Pin 10)

This is the non-inverting power amplifier output that is an inverted version of the signal at PO-. This power amplifier is powered from V_{EXT} and its output can swing to within 0.5 V of V_{SS} and V_{EXT}. This pin is capable of driving a 300 Ω load to PO-. This pin may be dc referenced to either the V_{AG} pin or a voltage of half of V_{EXT} by BR2 (b7). This pin is high impedance when the device is in the analog power-down mode. See PI and PO- for more information. This pin is high impedance except when it is enabled for analog signal output.

ADPCM/PCM SERIAL INTERFACE PINS

FST

Frame Sync, Transmit (PDIP, SOG—Pin 18; TQFP—Pin 16)

When used in the Long Frame Sync or Short Frame Sync mode, this pin accepts an 8 kHz clock that synchronizes the output of the serial ADPCM data at the DT pin.

BCLKT

Bit Clock, Transmit (PDIP, SOG—Pin 19; TQFP—Pin 17)

When used in the Long Frame Sync or Short Frame Sync mode, this pin accepts any bit clock frequency from 64 to 5120 kHz.

DT

Data, Transmit (PDIP, SOG—Pin 20; TQFP—Pin 18)

This pin is controlled by FST and BCLKT and is high impedance except when outputting data.

SPC

Signal Processor Clock (PDIP, SOG—Pin 21; TQFP—Pin 19)

This input requires a 20.48 to 24.32 MHz clock signal that is used as the DSP engine master clock. Internally the device divides down this clock to generate the 256 kHz clock required by the PCM Codec. The SPC clock should be a multiple of 256 kHz.

DR

Data, Receive (PDIP, SOG, TQFP—Pin 25)

ADPCM data to be decoded are applied to this input, which operates synchronously with FSR and BCLKR to enter the data in a serial format.

BCLKR

Bit Clock, Receive (PDIP, SOG, TQFP—Pin 26)

When used in the Long Frame Sync or Short Frame Sync mode, this pin accepts any bit clock frequency from 64 to 5120 kHz. This pin may be used for applying an external 256 kHz clock for sequencing the analog signal processing functions of this device. This is selected by the SCP port at BR0 (b7).

FSR

Frame Sync, Receive (PDIP, SOG, TQFP—Pin 27)

When used in the Long Frame Sync or Short Frame Sync mode, this pin accepts an 8 kHz clock that synchronizes the input of the serial ADPCM data at the DR pin. FSR can operate asynchronous to FST in the Long Frame Sync or Short Frame Sync mode.

SERIAL CONTROL PORT INTERFACE PINS

$\overline{\text{PDI/RESET}}$

Power-Down Input/Reset

(PDIP, SOG—Pin 13; TQFP—Pin 11)

A logic 0 applied to this input forces the device into a low-power dissipation mode. A rising edge on this pin causes power to be restored and the ADPCM Reset state (specified in the standards) to be forced.

$\overline{\text{SCPEN}}$

Serial Control Port Enable Input

(PDIP, SOG—Pin 14; TQFP—Pin 12)

This pin, when held low, selects the Serial Control Port (SCP) for the transfer of control and status information into and out of the MC14LC5540 ADPCM Codec. This pin should be held low for a total of 16 periods of the SCPCLK signal in

order for information to be transferred into or out of the MC14LC5540 ADPCM Codec. The timing relationship between $\overline{\text{SCPEN}}$ and SCPCLK is shown in Figures 6 through 9.

SCPCLK

Serial Control Port Clock Input

(PDIP, SOG—Pin 15; TQFP—Pin 13)

This input to the device is used for controlling the rate of transfer of data into and out of the SCP Interface. Data are clocked into the MC14LC5540 ADPCM Codec from SCP Rx on rising edges of SCPCLK. Data are shifted out of the device on SCP Tx on falling edges of SCPCLK. SCPCLK can be any frequency from 0 to 4.096 MHz. An SCP transaction takes place when $\overline{\text{SCPEN}}$ is brought low. Note that SCPCLK is ignored when $\overline{\text{SCPEN}}$ is high (i.e., it may be continuous or it can operate in a burst mode).

SCP Tx

Serial Control Port Transmit Output

(PDIP, SOG—Pin 16; TQFP—Pin 14)

SCP Tx is used to output control and status information from the MC14LC5540 ADPCM Codec. Data are shifted out of SCP Tx on the falling edges of SCPCLK, most significant bit first.

SCP Rx

Serial Control Port Receive Input

(PDIP, SOG—Pin 17; TQFP—Pin 15)

SCP Rx is used to input control and status information to the MC14LC5540 ADPCM Codec. Data are shifted into the device on rising edges of SCPCLK. SCP Rx is ignored when data are being shifted out of SCP Tx or when $\overline{\text{SCPEN}}$ is high.

Freescale Semiconductor, Inc.

ADPCM/PCM SERIAL INTERFACE TIMING DIAGRAMS

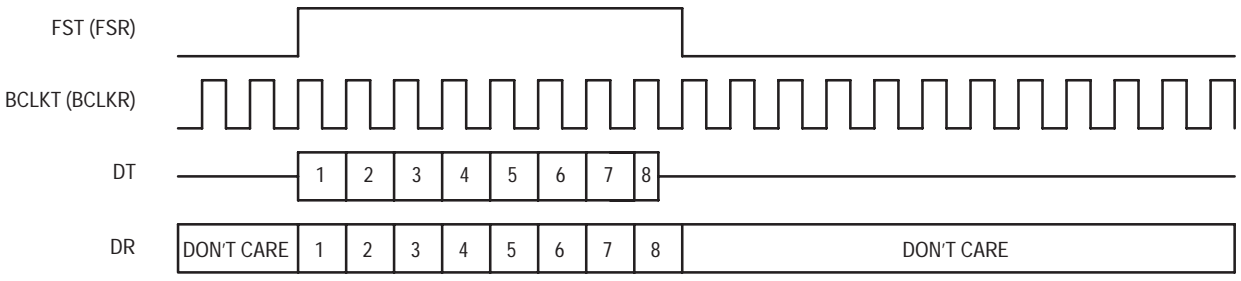


Figure 1. Long Frame Sync (64 kbps PCM Data Timing)

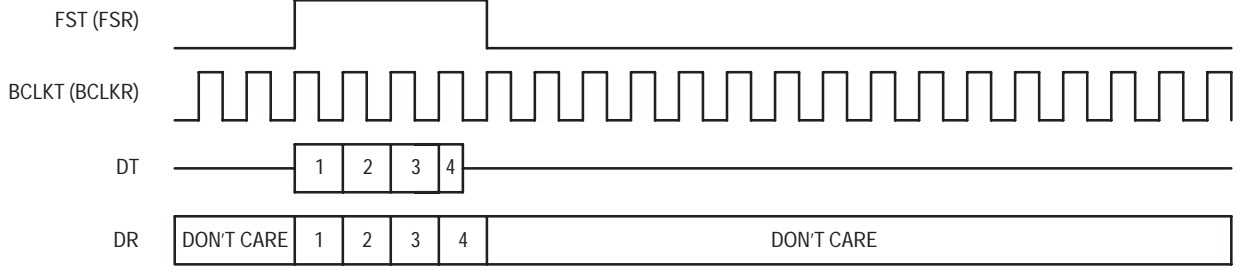


Figure 2. Long Frame Sync (32 kbps ADPCM Data Timing)

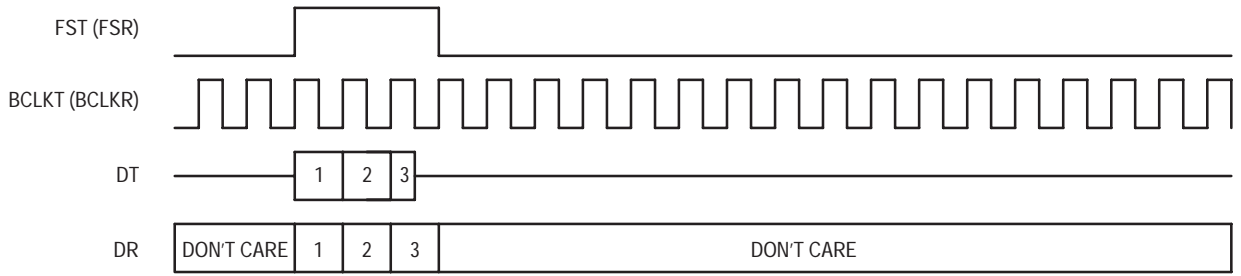


Figure 3. Long Frame Sync (24 kbps ADPCM Data Timing)

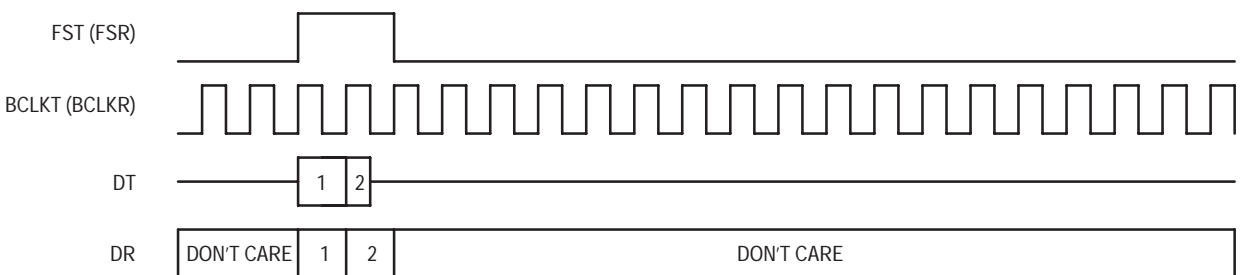


Figure 4. Long Frame Sync (16 kbps ADPCM Data Timing)

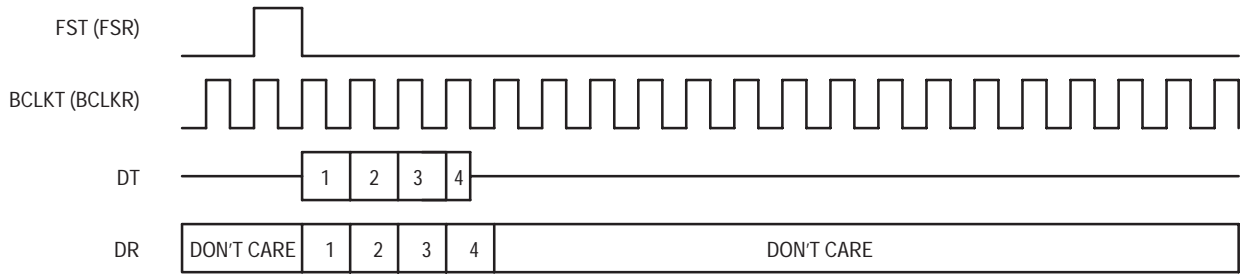


Figure 5. Short Frame Sync (32 kbps ADPCM Data Timing)

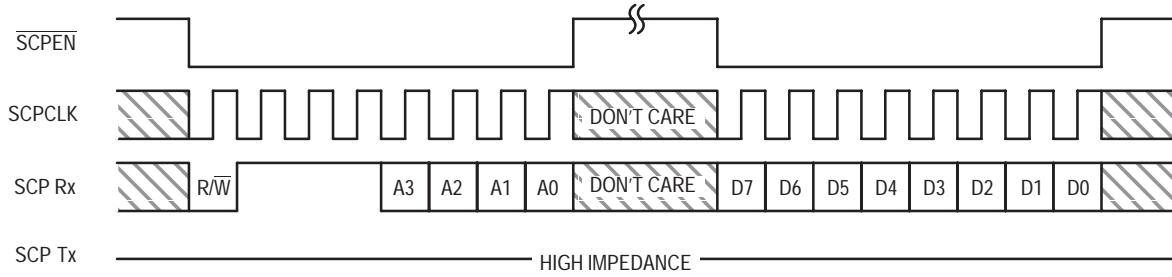


Figure 6. SCP Byte Register Write Operation Using Double 8-Bit Transfer

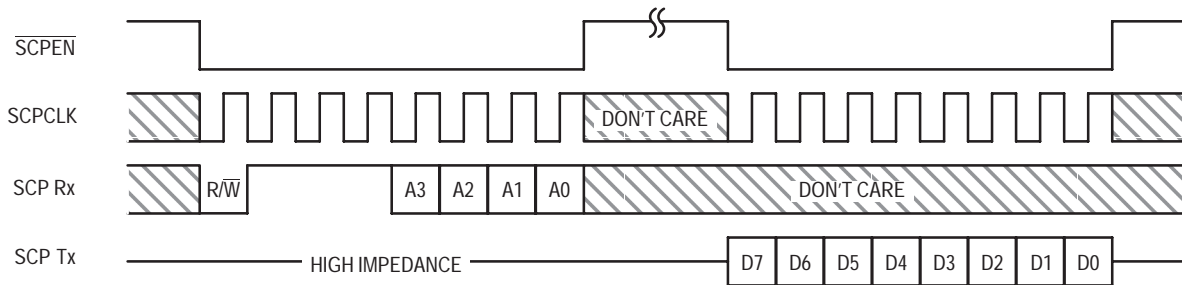


Figure 7. SCP Byte Register Read Operation Using Double 8-Bit Transfer

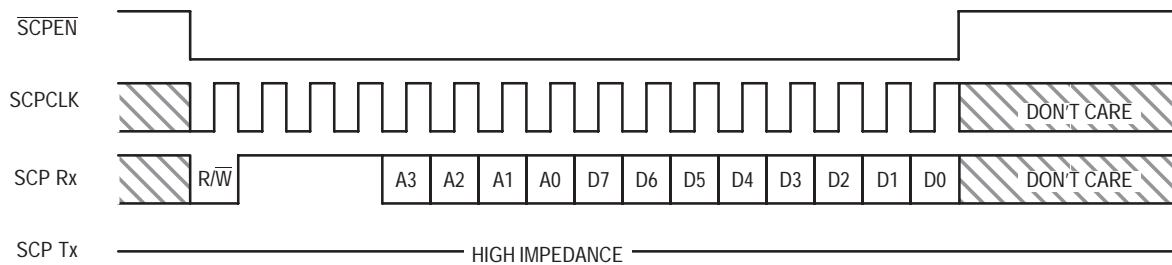


Figure 8. SCP Byte Register Write Operation Using Single 16-Bit Transfer

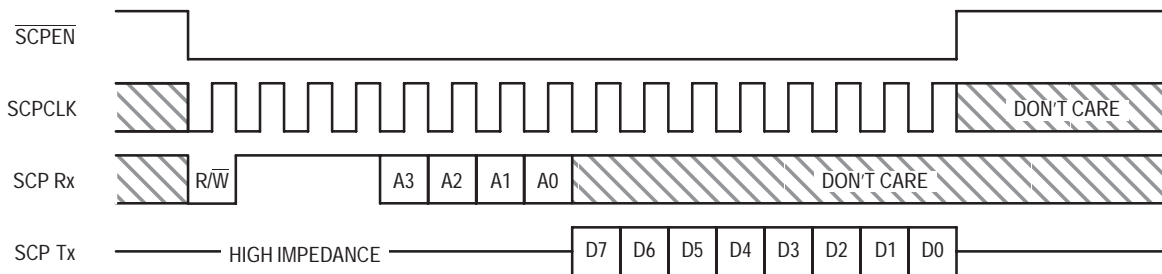


Figure 9. SCP Byte Register Read Operation Using Single 16-Bit Transfer

SERIAL CONTROL PORT (SCP) INTERFACE

The MC14LC5540 is equipped with an industry standard Serial Control Port (SCP) Interface. The SCP is used by an external controller, such as an M68HC05 family microcontroller, to communicate with the MC14LC5540 ADPCM Codec.

The SCP is a full-duplex, four-wire interface used to pass control and status information to and from the ADPCM Codec. The SCP Interface consists of a transmit output, a receive input, a data clock, and an enable signal. These device pins are known as SCP Tx, SCP Rx, SCPCLK, and $\overline{\text{SCPEN}}$, respectively. The SCPCLK determines the rate of exchange of data in both the transmit and receive directions, and the $\overline{\text{SCPEN}}$ signal governs when this exchange is to take place.

The operation and configuration of the ADPCM Codec is controlled by setting the state of the control and status registers within the MC14LC5540 and then monitoring these control and status registers. The control and status registers reside in sixteen 8-bit wide Byte Registers, BR0 – BR15. A complete register map can be found in the **Serial Control Port Registers** section.

BYTE REGISTER OPERATIONS

The sixteen byte registers are addressed by addressing a four-bit byte register address (A3:A0) as shown in Figures 6 and 7. A second 8-bit operation transfers the data word (D7:D0). Alternatively, these registers can be accessed with a single 16-bit operation as shown in Figures 8 and 9.

ADPCM CODEC DEVICE DESCRIPTION

The MC14LC5540 is a single channel Mu-Law or A-Law companding PCM Codec-Filter with an ADPCM encoder/decoder operating on a single voltage power supply from 2.7 to 5.25 V.

The MC14LC5540 ADPCM Codec is a complete solution for digitizing and reconstructing voice in compliance with CCITT G.714, G.721-1988, G.723-1988, G.726, and ANSI T1.301 and T1.303 for 64, 32, 24, and 16 kbps. This device satisfies the need for high-quality, low-power, low data rate voice transmission, and storage applications and is offered in three plastic packages: the 28-pin DIP and 28-pin SOIC di-

rectly replace the MC145540, and the 32-pin TQFP (Thin Quad Flat Package) is a new addition.

Referring to Figure 10, the main functional blocks of the MC14LC5540 are the switched capacitor technology PCM Codec-Filter, the DSP based ADPCM encoder/decoder, and the voltage regulated charge pump. As an introduction to the functionality of the ADPCM Codec, a basic description of these functional blocks follows.

PCM CODEC-FILTER BLOCK DESCRIPTION

A PCM Codec-Filter is a device used for digitizing and reconstructing the human voice. These devices were developed primarily for the telephone network to facilitate voice switching and transmission. Once the voice is digitized, it may be switched by digital switching methods or transmitted long distance (T1, microwave, fiber optics, satellites, etc.) without degradation. The name codec is an acronym from "COder" for the analog-to-digital converter (ADC) used to digitize voice, and "DECoder" for the digital-to-analog converter (DAC) used for reconstructing voice. A codec is a single device that does both the ADC and DAC conversions.

To digitize voice intelligibly requires a signal to distortion of about 30 dB for a dynamic range of about 40 dB. This may be accomplished with a linear 13-bit ADC and DAC, but will far exceed the required signal to distortion at amplitudes greater than 40 dB below the peak amplitude. This excess performance is at the expense of bits of data per sample. Two methods of data reduction are implemented by compressing the 13-bit linear scheme to companded 8-bit schemes. These companding schemes follow a segmented or "piecewise-linear" curve formatted as sign bit, three chord bits, and four step bits. For a given chord, all 16 of the steps have the same voltage weighting. As the voltage of the analog input increases, the four step bits increment and carry to the three chord bits, which increment. When the chord bits increment, the step bits double their voltage weighting. This results in an effective resolution of six bits (sign + chord + four step bits) across a 42 dB dynamic range (seven chords above 0, by 6 dB per chord). There are two companding schemes used: Mu-255 Law specifically in North America and A-Law specifically in Europe. These companding schemes are accepted world wide.

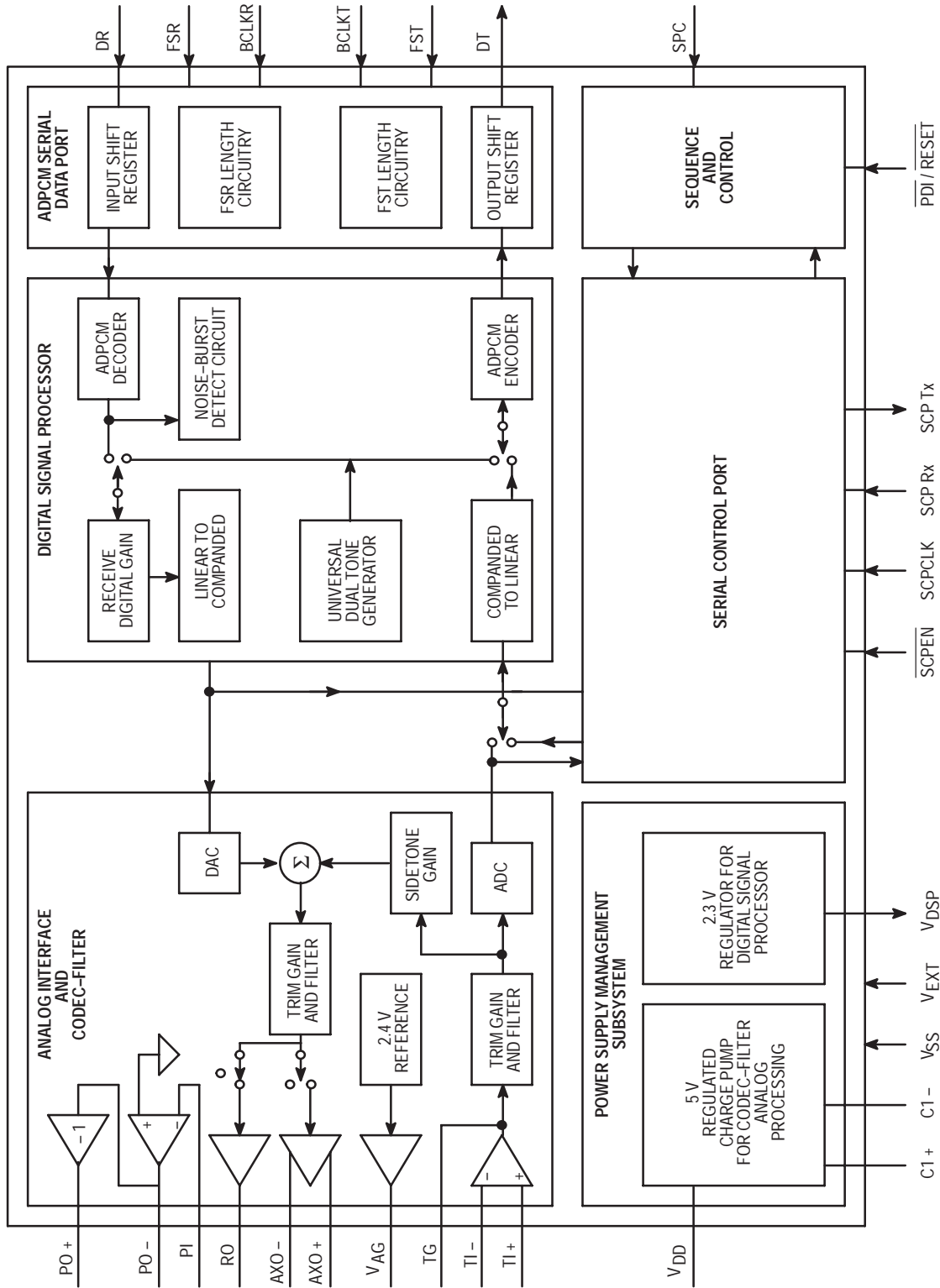


Figure 10. ADPCM Codec Block Diagram

In a sampling environment, Nyquist theory says that to properly sample a continuous signal, it must be sampled at a frequency higher than twice the signal's highest frequency component. Voice contains spectral energy above 3 kHz, but its absence is not detrimental to intelligibility. To reduce the digital data rate, which is proportional to the sampling rate, a sample rate of 8 kHz was adopted, consistent with a bandwidth of 3 kHz. This sampling requires a low-pass filter to limit the high frequency energy above 3 kHz from distorting the inband signal. The telephone line is also subject to 50/60 Hz power line coupling, which must be attenuated from the signal by a high-pass filter before the analog-to-digital converter.

The digital-to-analog conversion process reconstructs a staircase version of the desired inband signal which has spectral images of the inband signal modulated about the sample frequency and its harmonics. These spectral images are called aliasing components which need to be attenuated to obtain the desired signal. The low-pass filter used to attenuate these aliasing components is typically called a reconstruction or smoothing filter.

The MC14LC5540 ADPCM Codec incorporates this codec function as one of its main functional blocks.

ADPCM TRANSCODER BLOCK DESCRIPTION

An Adaptive Differential PCM (ADPCM) transcoder is used to reduce the data rate required to transmit a PCM encoded voice signal while maintaining the voice fidelity and intelligibility of the PCM signal.

The ADPCM transcoder is used on both Mu-Law and A-Law 64 kbps data streams which represent either voice or voice band data signals that have been digitized by a PCM Codec-Filter. The PCM to ADPCM encoder section of this transcoder has a type of linear predicting digital filter which is trying to predict the next PCM sample based on the previous history of the PCM samples. The ADPCM to PCM decoder section implements an identical linear predicting digital filter. The error or difference between the predicted and the true PCM input value is the information that is sent from the encoder to the decoder as an ADPCM word. The characteristics of this ADPCM word include the number of quantized steps (this determines the number of bits per ADPCM word) and the actual meaning of this word is a function of the predictor's output value, the error signal and the statistics of the history of PCM words. The term "adaptive" applies to the transfer function of the filter that generates the ADPCM word which adapts to the statistics of the signals presented to it. This means that an ADPCM word "3" does not have the same absolute error voltage weighting for the analog signal when the channel is quiet as it does when the channel is processing a speech signal. The ADPCM to PCM decoder section has a reciprocating filter function which interprets the ADPCM word for proper reconstruction of the PCM sample.

The adaptive characteristics of the ADPCM algorithm make it difficult to analyze and quantify the performance of the ADPCM code sequence. The 32 kbps algorithm was optimized for both voice and moderate speed modems (≤ 4800 baud). This optimization includes that the algorithm supports the voice frequency band of 300 – 3400 Hz with minimal degradation for signal-to-distortion, gain-versus-level, idle channel noise, and other analog transmission performance. This algorithm has also been subjected to audibility testing with many languages for Mean Opinion

Score (MOS) ratings and performed well when compared to 64 kbps PCM. The standards committees have specified multiple 16000 word test vectors for the encoder and for the decoder to verify compliance. To run these test vectors, the device must be initialized to the reference state by resetting the device.

In contrast to 64 kbps PCM, the ADPCM words appear as random bit activity on an oscilloscope display whether the audio channel is processing speech or a typical PCM idle channel with nominal bit activity. The ADPCM algorithm does not support dc signals with the exception of digital quiet, which will result in all ones in the ADPCM channel. All digital processing is performed on 13-bit linearizations of the 8-bit PCM companded words, whether the words are Mu-Law or A-Law. This allows an ADPCM channel to be intelligibly decoded into a Mu-Law PCM sequence or an A-Law PCM sequence irrespective of whether it was originally digitized as Mu-Law or A-Law. There will be additional quantizing degradation if the companding scheme is changed because the ADPCM algorithm is trying to reconstruct the original 13-bit linear codes, which included companding quantization.

CHARGE PUMP

The charge pump is the functional block that allows the analog signal processing circuitry of the MC14LC5540 to operate with a power supply voltage as low as 2.7 V. This analog signal processing circuitry includes the PCM Codec-Filter function, the transmit trim gain, the receive trim gain, the sidetone gain control, and the transmit input operational amplifier. This circuitry does not dissipate much current but it does require a nominal voltage of 5 V for the V_{DD} power supply.

The charge pump block is a regulated voltage doubler which takes twice the current it supplies from the voltage applied to the V_{EXT} power supply pin which may range from 2.7 to 5.25 V and generates the required 5 V V_{DD} supply. The charge pump block receives as inputs the V_{EXT} supply voltage, the same 256 kHz clock that sequences the analog signal processing circuitry, and the Charge Pump Enable signal from the SCP block. It also makes use of the capacitor connected to the C1+ and C1- pins and the decoupling capacitor connected to the V_{DD} pin.

FUNCTIONAL DESCRIPTION

POWER SUPPLY CONFIGURATION

Analog Signal Processing Power Supply

All analog signal processing is powered by the V_{DD} pin at 5 V. This voltage may be applied directly to the V_{DD} pin or 5 V may be obtained by the on-chip 5 V regulated charge pump which is powered from the V_{EXT} pin. The V_{EXT} pin is the main positive power supply pin for this device.

For applications that are not 5 V regulated, the on-chip 5 V regulated charge pump may be turned on and C1 will be required. V_{DD} will require a 1.0 μ F decoupling capacitor to filter the voltage spikes of the charge pump. This allows the V_{EXT} power supply to be from 2.7 to 5.25 V. This mode of operation is intended for hand held applications where three NiCad cells or three dry cells would be the power supply.

The on-chip 5 V regulated charge pump is a single stage charge pump that effectively series regulates the amount of voltage it generates and internally applies this regulated voltage to the V_{DD} pin. This 5 V voltage is developed by con-

necting the external 0.1 μF capacitor (C1) between the V_{EXT} power supply pin and the power supply ground pin, V_{SS} . This puts a charge of as much as 2.7 V on C1. The charge pump circuitry then connects the negative lead of C1 to the V_{EXT} pin which sums the voltage of C1 with the voltage at V_{EXT} for a minimum potential voltage of 5.4 V. The charge voltage on C1 is regulated such that the summing of voltages is regulated to 5 V. This limits all of the voltages on the device to safe levels for this IC fabrication technology. This charge pumped voltage is then stored on the 1.0 μF capacitor connected at V_{DD} and V_{SS} , which filters and serves as a reservoir for power. The clock period for this charge pump is the same 256 kHz as the analog sequencing clock, minimizing noise problems.

For applications with a regulated 5 V ($\pm 5\%$) power supply, the V_{DD} pin and the V_{EXT} pin are connected to the 5 V power supply. These pins may share one decoupling capacitor in this configuration as a function of external noise on the power supply. The on-chip, 5 V regulated charge pump should be turned off via the SCP port at register 0. The external capacitor (C1) should not be populated for these applications.

Digital Signal Processing Power Supply

This device has an on-chip series regulator which limits the voltage of the Digital Signal Processing (DSP) circuitry to about 2.3 V. This reduces the maximum power dissipation of this circuitry. From the V_{EXT} power supply pin, the DSP circuitry appears as a constant current load instead of a resistive ($CV^2/2$) load for a constant clock frequency. This series regulator is designed to have a low drop-out voltage, which allows the DSP circuitry to work when the V_{EXT} voltage is as low as 2.7 V. The output of this regulator is brought out to the V_{DSP} pin for a 0.1 μF decoupling capacitor. This regulator is not designed to power any loads external to the device.

ANALOG INTERFACE AND SIGNAL PATH

Transmit Analog

The transmit analog portion of this device includes a low-noise, three terminal operational amplifier capable of driving a 2 k Ω load. This op amp has inputs of $\text{TI}+$ and $\text{TI}-$ and its output is TG. This op amp is intended to be configured in an inverting gain circuit. The analog signal may be applied directly to the TG pin if this transmit op amp is independently powered down. Power-down may be achieved by connecting both the $\text{TI}+$ and $\text{TI}-$ inputs to the V_{DD} pin. The TG pin becomes high impedance when the transmit op amp is powered down. The TG pin is internally connected to a time continuous three-pole anti-aliasing pre-filter. This pre-filter incorporates a two-pole Butterworth active low-pass filter, followed by a single passive pole. This pre-filter is followed by a single-ended to differential converter that is clocked at 512 kHz. All subsequent analog processing utilizes fully differential circuitry. The output of the differential converter is followed by the transmit trim gain stage. This stage is intended to compensate for gain tolerances of external components such as microphones. The amount of gain control is 0–7 dB in 1 dB steps. This stage only accommodates positive gain because the maximum signal levels of the output of the input op amp are the same as the transmit filter and ADC, which should nominally be next to the clip levels of this device's circuitry. Any requirement for attenuation of the output of the input op amp would mean that it is being overdriven.

The gain is programmed via the SCP port in BR1 (b2:b0). The next section is a fully-differential, 5-pole switched-capacitor low-pass filter with a 3.4 kHz frequency cutoff. After this filter is a 3-pole switched-capacitor high-pass filter having a cutoff frequency of about 200 Hz. This high-pass stage has a transmission zero at dc that eliminates any dc coming from the analog input or from accumulated op amp offsets in the preceding filter stages. (This high-pass filter may be removed from the signal path under control of the SCP port BR8 (b4).) The last stage of the high-pass filter is an autozeroed sample and hold amplifier.

One bandgap voltage reference generator and digital-to-analog converter (DAC) are shared by the transmit and receive sections. The autozeroed, switched-capacitor bandgap reference generates precise positive and negative reference voltages that are virtually independent of temperature and power supply voltage. A binary-weighted capacitor array (CDAC) forms the chords of the companding structure, while a resistor string (RDAC) implements the linear steps within each chord. The encode process uses the DAC, the voltage reference, and a frame-by-frame autozeroed comparator to implement a successive-approximation analog-to-digital conversion (ADC) algorithm. All of the analog circuitry involved in the data conversion (the voltage reference, RDAC, CDAC, and comparator) are implemented with a differential architecture.

The nonlinear companded Mu-Law transfer curve of the ADC may be changed to 8-bit linear by BR8 (b5).

The input to the ADC is normally connected to the output of the transmit filter section, but may be switched to measure the voltage at the V_{EXT} pin for battery voltage monitoring. This is selected by the I/O Mode in BR0 (b4:b3). In this mode, the ADC is programmed to output a linear 8-bit PCM word for the voltage at V_{EXT} which is intended to be read in BR9 (b7:b0). The data format for the ADC output is a "Don't Care" for the sign bit and seven magnitude bits. The scaling for the ADC is for 6.3 V at V_{EXT} equals full scale (BIN X111 1111). The ADPCM algorithm does not support dc signals.

Transmit Digital

The Digital Signal Processor (DSP) section of this device is a custom designed, interrupt driven, microcoded machine optimized for implementing the ADPCM algorithms. In the full-duplex speech mode, the DSP services one encode interrupt and one decode interrupt per frame (125 μs). The encode algorithm (i.e., 16 kbps, 24 kbps, or 32 kbps ADPCM, or 64 kbps PCM) is determined by the length of the transmit output enable at the FST pin. The length of the FST enable measured in transmit data clock (BCLKT) cycles tells the device which encoding rate to use. This enable length information is used by the encoder each frame. The transmit ADPCM word corresponding to this request will be computed during the next frame and will be available a total of two frames after being requested. This transmit enable length information can be delayed by the device an additional four frames corresponding to a total of six frames. These six frames of delay allow the device to be clocked with the same clocks for both transmit (encode) and receive (decode), and to be frame aligned for applications that require every sixth frame signaling. It is important to note that the enable length information is delayed and not the actual ADPCM (PCM) sample word. The amount of delay for the FST enable length is controlled in BR7 (b5). If the FST enable goes low before

the falling edge of BCLKT during the last bit of the ADPCM word, the digital data output circuitry counts BCLKT cycles to keep the data output (DT pin) low impedance for the duration of the ADPCM data word (2, 3, 4, or 8 BCLKT cycles) minus one half of a BCLKT cycle.

Receive Digital

The receive digital section of this device accepts serial ADPCM (PCM) words at the DR pin under the control of the BCLKR and FSR pins. The FSR enable duration, measured in BCLKR cycles, tells the device which decode algorithm (i.e., 16 kbps, 24 kbps, or 32 kbps ADPCM, or 64 kbps PCM) the DSP machine should use for the word that is being received at the DR pin. This algorithm may be changed on a frame by frame basis.

The DSP machine receives an interrupt when an ADPCM word has been received and is waiting to be decoded into a PCM word. The DSP machine performs a decode and an encode every frame when the device is operating in its full duplex conversation mode. The DSP machine decodes the ADPCM word according to CCITT G.726 for 32 kbps, 24 kbps, and 16 kbps. This decoding includes the correction for the CCITT/ANSI Sync function, except when the receive digital gain is used. The receive digital gain is anticipated to be user adjustable gain control in handset applications where as much as 12 dB of gain or more than 12 dB of attenuation may be desirable. The receive digital gain is a linear multiply performed on the 13-bit linear data before it is converted to Mu-Law or A-Law, and is programmed via the SCP port in BR3 (b7:b0). The decoded PCM word may be read via the SCP port in BR10 (b7:b0).

Receive Analog Signal Processing

The receive analog signal processing section includes the DAC described above, a sample and hold amplifier, a trim gain stage, a 5-pole, 3400 Hz switched capacitor low-pass filter with $\sin X/X$ correction, and a 2-pole active smoothing filter to reduce the spectral components of the switched capacitor filter. (The receive low-pass smoothing filter may be removed from the signal path for the additional spectral components for applications using the on-chip tone generator function described below. This low-pass filter performs the $\sin X/X$ compensation. The receive filter is removed from the circuit via the SCP in BR2 (b4).) The input to the smoothing filter is the output to the receive trim gain stage. This stage is intended to compensate for gain tolerances of external components such as handset receivers. This stage is capable of 0 to 7 dB of attenuation in 1-dB steps. This stage only accommodates attenuation because the nominal signal levels of the DAC should be next to the clip levels of this device's circuitry and any positive gain would overdrive the outputs. The gain is programmed via the SCP port in BR2 (b2:b0). The output of the 2-pole active smoothing filter is buffered by an amplifier which is output at the RO pin. This output is capable of driving a 2 k Ω load to the V_{AG} pin.

Receive Analog Output Drivers and Power Supply

The high current analog output circuitry (PO+, PO-, PI, AXO+, AXO-) is powered by the V_{EXT} power supply pin. Due to the wide range of V_{EXT} operating voltages for this device, this circuitry and the RO pin have a programmable reference point of either V_{AG} (2.4 V) or $V_{EXT}/2$. In applications where

this device is powered with 5 V, it is recommended that the dc reference for this circuitry be programmed to V_{AG} . This allows maximum output signals for driving high power telephone line transformer interfaces and loud speaker/ringers. For applications that are battery powered, V_{AG} pin will still be 2.4 V, but the receive analog output circuitry will be powered from as low as 2.7 V. To optimize the output power, this circuitry should be referenced to one half of the battery voltage, $V_{EXT}/2$. The RO pin is powered by the V_{DD} pin, but its dc reference point is programmed the same as the high current analog output circuitry.

This device has two pairs of power amplifiers that are connected in a push-pull configuration. These push-pull power driver pairs have similar drive capabilities, but have different circuit configurations and different intended uses. The PO+ and PO- power drivers are intended to accommodate large gain ranges with precise adjustment by two external resistors for applications such as driving a telephone line or a handset receiver. The PI pin is the inverting input to the PO- power amplifier. The non-inverting input is internally tied to the same reference as the RO output. This allows this amplifier to be used in an inverting gain circuit with two external resistors. The PO+ amplifier has a gain of -1, and is internally connected to the PO- output. This complete power amplifier circuit is a differential (push-pull) amplifier with adjustable gain which is capable of driving a 300 Ω load to +12 dBm when V_{EXT} is 5 V. The PO+ and PO- outputs are intended to drive loads differentially and not to V_{SS} or V_{AG} . The PO+ and PO- power amplifiers may be powered down independently of the rest of the chip by connecting the PI pin to V_{DD} or in BR2 (b5).

The other paired power driver outputs are the AXO+ and AXO- Auxiliary outputs. These push-pull output amplifiers are intended to drive a ringer or loud speaker with impedance as low as 300 Ω to +12 dBm when V_{EXT} is 5 V. The AXO+ and AXO- outputs are intended to drive loads differentially and not to V_{SS} or V_{AG} . The AXO+ and AXO- power amplifiers may be powered down independently of the rest of the chip via the SCP port in BR2 (b6).

SIDETONE

The Sidetone function of this device allows a controlled amount of the output from the transmit filter to be summed with the output of the DAC at the input to the receive low-pass filter. The sidetone component has gains of -8.5 dB, -10.5 dB, -12.0 dB, -13.5 dB, -15.0 dB, -18.0 dB, -21.5 dB, and ≤ -70 dB. The sidetone function is controlled by the SCP port in BR1 (b6:b4).

UNIVERSAL TONE GENERATOR

The Universal Dual Tone Generator function supports both the transmit and the receive sides of this device. When the tone generator is being used, the decoder function of the DSP circuit is disabled. The output of the tone generator is made available to the input of the receive digital gain function for use at the receive analog outputs. In handset applications, this could be used for generating DTMF, distinctive ringing or call progress feedback signals. In telephone line interface applications, this tone generator could be used for signaling on the line. The tone generator output is also available for the input to the encoder function of the DSP machine for outputting at the DT pin. This function is useful in handset applications for non-network signaling such as information

services, answering machine control, etc. At the network interface side of a cordless telephone application, this function could be used for dialing feedback or call progress to the handset. The tone generator function is controlled by the SCP port in BR4, BR5, and BR7. The tone generator does not work when the device is operated in 64 kbps mode, except when analog loopback is enabled at BR0 (b5).

POWER-DOWN AND RESET

There are two methods of putting all of this device into a low power consumption mode that makes the device non-functional and consumes virtually no power. $\overline{\text{PDI/RESET}}$ is the power-down input and reset pin which, when taken low, powers down the device. Another way to power the device down is by the SCP port at BR0. BR0 allows the analog section of this device to be powered down individually and/or the digital section of this device to be powered down individually. When the chip is powered down, the V_{AG} , TG, RO, PO+, PO-, AXO+, AXO-, DT and SCP Tx outputs are high impedance. To return the chip to the power-up state, $\overline{\text{PDI/RESET}}$ must be high and the SPC clock and the FST or the FSR frame sync pulses must be present. The ADPCM algorithm is reset to the CCITT initial state following the reset transition from low to high logic states. The DT output will remain in a high-impedance state for at least two FST pulses after power-up. This device is functional after being reset for full-duplex voice coding with the charge pump active.

SIGNAL PROCESSING CLOCK (SPC)

This is the clock that sequences the DSP circuit. This clock may be asynchronous to all other functions of this device. Clock frequencies of 20.48 MHz to 24.32 MHz are recommended. This clock is also used to drive a digitally phase-locked prescaler that is referenced to FST (8 kHz) and automatically determines the proper divide ratio to use for achieving the required 256 kHz internal sequencing clock for all analog signal processing, including analog-to-digital conversion, digital-to-analog conversion, transmit filtering, receive filtering and analog gain functions of this device, and the charge pump. The SPC clock should be a multiple of 256 kHz.

The analog sequencing function of the SPC clock may be eliminated by reprogramming the device to use the BCLKR pin as the direct input for the required 256 kHz analog sequencing clock. The 256 kHz clock applied at BCLKR must be an integer 32 times the FST 8 kHz clock and be approximately rising edge aligned with the FST rising edge. This mode requires that the transmit and receive ADPCM transfers be controlled by the BCLKT pin. This is reprogrammed via the SCP port in BR0 (b7).

DIGITAL I/O

The MC14LC5540 is programmable for Mu-Law or A-Law. The timing for the PCM data transfer is independent of the companding scheme selected. Table 1 shows the 8-bit data word format for positive and negative zero and full scale for both 64 kbps companding schemes (see Figures 1 through 5 for a summary and comparison of the five PCM data interface modes of this device).

Long Frame Sync

Long Frame Sync is the industry name for one type of clocking format which controls the transfer of the ADPCM or PCM data words (see Figures 1 through 4). The "Frame Sync" or "Enable" is used for two specific synchronizing functions. The first is to synchronize the PCM data word transfer, and the second is to control the internal analog-to-digital and digital-to-analog conversions. The term "Sync" refers to the function of synchronizing the PCM data word onto or off of the multiplexed serial PCM data bus, also known as a PCM highway. The term "Long" comes from the duration of the frame sync measured in PCM data clock cycles. Long Frame Sync timing occurs when the frame sync is used directly as the PCM data output driver enable. This results in the PCM output going low impedance with the rising edge of the transmit frame sync, and remaining low impedance for the duration of the transmit frame sync.

The implementation of Long Frame Sync for this device has maintained industry compatibility and been optimized for external clocking simplicity. The PCM data output goes low impedance with the rising edge of the FST pin but the MSB of the data is clocked out due to the logical AND of the transmit frame sync (FST pin) with the transmit data clock (BCLKT pin). This allows either the rising edge of the FST enable or the rising edge of the BCLKT data clock to be first. This implementation includes the PCM data output remaining low impedance until the middle of the LSB (seven and a half data clock cycles for 64 kbps PCM, three and a half data clock cycles for 32 kbps ADPCM, etc.). This allows the frame sync to be approximately rising edge aligned with the initiation of the PCM data word transfer but the frame sync does not have a precise timing requirement for the end of the PCM data word transfer. This prevents bus contention between similar devices on a common bus. The device recognizes Long Frame Sync clocking when the frame sync is held high for two consecutive falling edges of the transmit data clock.

In the full-duplex speech mode, the DSP services one encode interrupt and one decode interrupt per frame (125 μs). The encode algorithm (i.e., 16 kbps, 24 kbps, or 32 kbps ADPCM or 64 kbps PCM) is determined by the length of the transmit output enable at the FST pin. The length of the FST enable measured in transmit data clock (BCLKT) cycles tells the device which encoding rate to use. This enable length information is used by the encoder each frame. The transmit ADPCM word corresponding to this request will be computed during the next frame and be available a total of two frames after being requested. This transmit enable length information can be delayed by the device an additional four frames corresponding to a total of six frames. This six frames of delay allows the device to be clocked with the same clocks for both transmit (encode) and receive (decode), and to be frame aligned for applications that require every sixth frame signaling. It is important to note that the enable length information is delayed and not the actual ADPCM (PCM) sample word. The amount of delay for the FST enable length is controlled by the SCP port at BR7 (b5). The digital data output circuitry counts BCLKT cycles to keep the data output (DT pin) low impedance for the duration of the ADPCM data word (2, 3, 4, or 8 BCLKT cycles) minus one half of a BCLKT cycle.

Table 1. PCM Full Scale and Zero Words

Level	Mu-Law			A-Law		
	Sign Bit	Chord Bits	Step Bits	Sign Bit	Chord Bits	Step Bits
+ Full Scale	1	0 0 0	0 0 0 0	1	0 1 0	1 0 1 0
+ Zero	1	1 1 1	1 1 1 1	1	1 0 1	0 1 0 1
- Zero	0	1 1 1	1 1 1 1	0	1 0 1	0 1 0 1
- Full Scale	0	0 0 0	0 0 0 0	0	0 1 0	1 0 1 0

The length of the FST enable tells the DSP what encoding algorithm to use. The transmit logic decides on each frame sync whether it should interpret the next frame sync pulse as a Long or a Short Frame Sync. The device is designed to prevent PCM bus contention by not allowing the PCM data output to go low impedance for at least two frame sync cycles after power is applied or when coming out of the power-down mode.

The receive side of the device is designed to accept the same frame sync and data clock as the transmit side and to be able to latch its own transmit PCM data word. Thus the PCM digital switch only needs to be able to generate one type of frame sync for use by both transmit or receive sections of the device.

The logical AND of the receive frame sync with the receive data clock tells the device to start latching the serial word into the receive data input on the falling edges of the receive data clock. The internal receive logic counts the receive data clock falling edges while the FSR enable is high and transfers the enable length and the PCM data word into internal registers for access by the DSP machine which also sets the DSP's decoder interrupt.

The receive digital section of this device accepts serial ADPCM (PCM) words at the DR pin under the control of the BCLKR and FSR pins. The FSR enable duration measured in BCLKR cycles, tells the device which decode algorithm (i.e., 16 kbps, 24 kbps, or 32 kbps ADPCM, or 64 kbps PCM) the DSP machine should use for the word that is being received at the DR pin. This algorithm may be changed on a frame by frame basis.

When the device is programmed to be in the PCM Codec mode by BR0 (4:3), the device will output and input the complete 8-bit PCM words using the Long Frame Sync clocking format as though the FST and FSR pulses were held high for 8 data clock cycles.

The DSP machine receives an interrupt when an ADPCM word has been received and is waiting to be decoded into a PCM word. The DSP machine performs a decode and an encode every frame when the device is operating in its full-duplex conversation mode. The DSP machine decodes the ADPCM word according to CCITT G.726 for 32 kbps, 24 kbps, and 16 kbps.

Short Frame Sync

Short Frame Sync is the industry name for this type of clocking format which controls the transfer of the ADPCM data words (see Figure 5). This device uses Short Frame Sync timing for 32 kbps ADPCM only. The "Frame Sync" or "Enable" is used for two specific synchronizing functions.

The first is to synchronize the ADPCM data word transfer, and the second is to control the internal analog to digital and digital to analog conversions. The term "Sync" refers to the function of synchronizing the ADPCM data word onto or off of the multiplexed serial ADPCM data bus, also known as a PCM highway. The term "Short" comes from the duration of the frame sync measured in PCM data clock cycles. Short Frame Sync timing occurs when the frame sync is used as a "pre-synchronization" pulse that is used to tell the internal logic to clock out the ADPCM data word under complete control of the data clock. The Short Frame Sync is held high for one falling data clock edge. The device outputs the ADPCM data word beginning with the following rising edge of the data clock. This results in the ADPCM output going low impedance with the rising edge of the transmit data clock, and remaining low impedance until the middle of the LSB (three and a half PCM data clock cycles).

The device recognizes Short Frame Sync clocking when the frame sync is held high for one and only one falling edge of the transmit data clock. The transmit logic decides on each frame sync whether it should interpret the next frame sync pulse as a Long or a Short Frame Sync. It is not recommended to switch between Long Frame Sync and Short Frame Sync clocking without going through a power-down cycle due to bus contention problems. The device is designed to prevent PCM bus contention by not allowing the ADPCM data output to go low impedance for at least two frame sync cycles after power is applied or when coming out of a powered down mode.

The receive side of the device is designed to accept the same frame sync and data clock as the transmit side and to be able to latch its own transmit ADPCM data word. Thus the PCM digital switch only needs to be able to generate one type of frame sync for use by both transmit or receive sections of the device.

The falling edge of the receive data clock (BCLKR) latching a high logic level at the receive frame sync (FSR) input tells the device to start latching the 4-bit ADPCM serial word into the receive data input on the following four falling edges of the receive data clock. The internal receive logic counts the receive data clock cycles and transfers the ADPCM data word to a register for access by the DSP.

When the device is programmed to be in the PCM Codec mode by BR0 (4:3), the device will output the complete 8-bit PCM word using the Short Frame Sync clocking format. The 8-bit PCM word will be clocked out (or in) the same way that the 4-bit ADPCM word would be, except that the fourth bit will be valid for the full BCLKT period and the eighth bit will be valid for only one half of the BCLKT period.

Freescale Semiconductor, Inc.

SERIAL CONTROL PORT REGISTER MAP

The SCP register map consists of 16 byte registers. Registers BR0 – BR5 and BR7 – BR10 provide external control of

and status of the part. Register BR15 holds the value of the mask number for the particular MC14LC5540. BR6 and BR11 – BR14 are not defined and as such are presently reserved.

Table 2. Byte Register Map

Byte	b7	b6	b5	b4	b3	b2	b1	b0
BR0	Ext 256 kHz CLK	Mu-/A-Law Select	Analog Loopback	I/O Mode (1)	I/O Mode (0)	Charge Pump Disable	Analog Power Down	Digital Power Down
BR1	Reserved	Sidetone Gain (2)	Sidetone Gain (1)	Sidetone Gain (0)	Transmit Mute	Transmit Gain (2)	Transmit Gain (1)	Transmit Gain (0)
BR2	RO Reference Select	AXO Enable	PO Disable	Receive Filter Disable	RO Mute	Analog Receive Gain (2)	Analog Receive Gain (1)	Analog Receive Gain (0)
BR3	Digital Rx Gain Enable	Digital Rx Gain (6)	Digital Rx Gain (5)	Digital Rx Gain (4)	Digital Rx Gain (3)	Digital Rx Gain (2)	Digital Rx Gain (1)	Digital Rx Gain (0)
BR4	N.B. Time / Tone Param. (7)	N.B. Time / Tone Param. (6)	N.B. Time / Tone Param. (5)	N.B. Time / Tone Param. (4)	N.B. Time / Tone Param. (3)	N.B. Time / Tone Param. (2)	N.B. Time / Tone Param. (1)	N.B. Time / Tone Param. (0)
BR5	N.B. Threshold (7) / Address Param. (1)	N.B. Threshold (6) / Address Param. (0)	N.B. Threshold (5) / Don't Care	N.B. Threshold (4) / Don't Care	N.B. Threshold (3) / Tone Param. (11)	N.B. Threshold (2) / Tone Param. (10)	N.B. Threshold (1) / Tone Param. (9)	N.B. Threshold (0) / Tone Param. (8)
BR6	Reserved	Reserved	Reserved	Reserved	Reserved	Reserved	Reserved	Reserved
BR7	Tone Param. Status	N.B. Detect Enable	2/6 Delay	G.726/Motorola 16 kbps	Tone Enable	Reserved	Tone 1 Enable	Tone 2 Enable
BR8	Software Encoder Reset	Software Decoder Reset	Linear Codec Mode	Highpass Disable	Reserved	Reserved	Reserved	Reserved
BR9	Encoder PCM (7)	Encoder PCM (6)	Encoder PCM (5)	Encoder PCM (4)	Encoder PCM (3)	Encoder PCM (2)	Encoder PCM (1)	Encoder PCM (0)
BR10	D/A PCM (7)	D/A PCM (6)	D/A PCM (5)	D/A PCM (4)	D/A PCM (3)	D/A PCM (2)	D/A PCM (1)	D/A PCM (0)
BR11	Reserved	Reserved	Reserved	Reserved	Reserved	Reserved	Reserved	Reserved
BR12	Reserved	Reserved	Reserved	Reserved	Reserved	Reserved	Reserved	Reserved
BR13	Reserved	Reserved	Reserved	Reserved	Reserved	Reserved	Reserved	Reserved
BR14	Reserved	Reserved	Reserved	Reserved	Reserved	Reserved	Reserved	Reserved
BR15	Reserved	Reserved	Reserved	Reserved	Mask (3)	Mask (2)	Mask (1)	Mask (0)

NOTE: "Setting" a bit corresponds to writing a 1 to the register and "clearing" a bit corresponds to writing a 0 to the register.

APPLICATION CIRCUITS

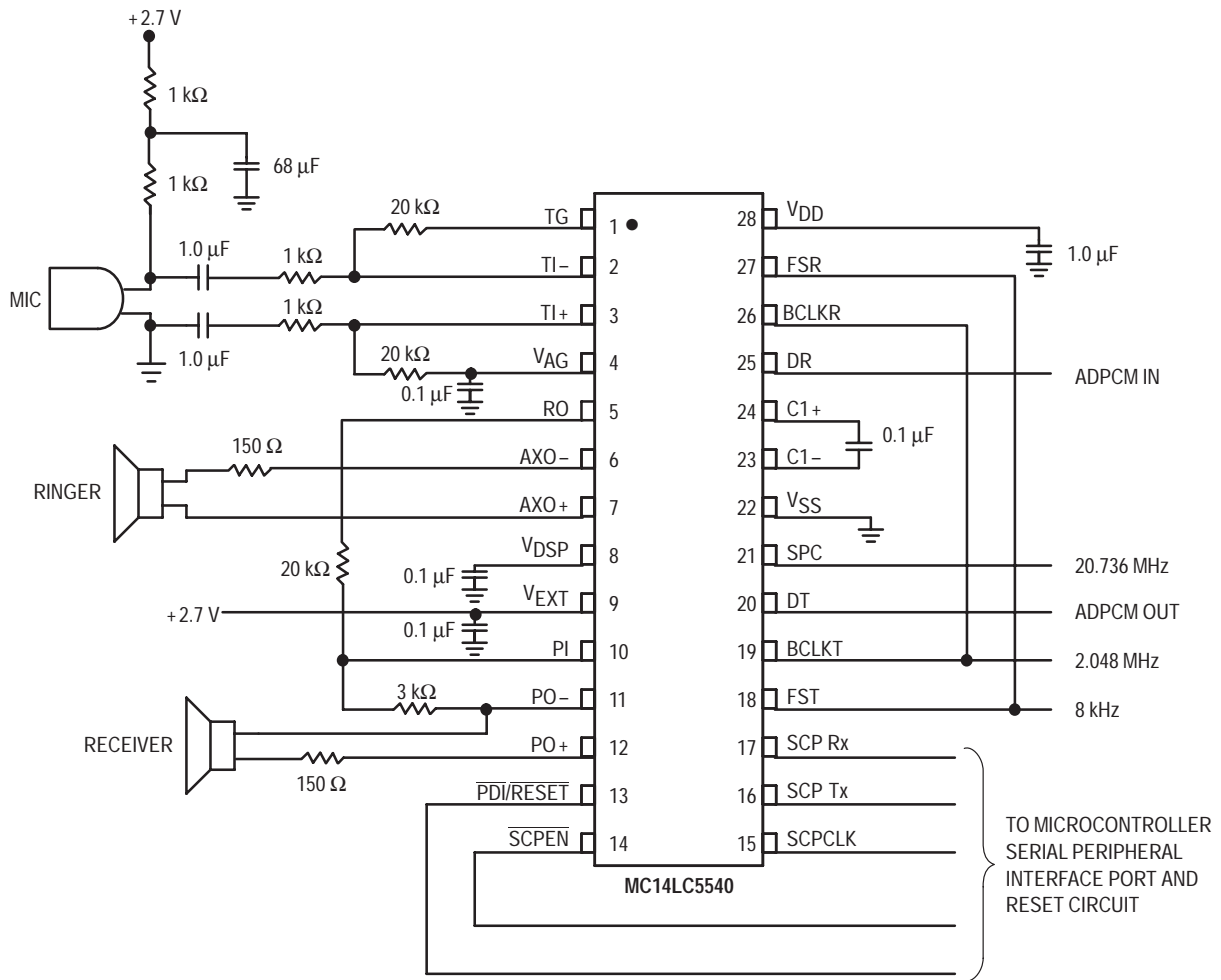


Figure 11. MC14LC5540 Handset Application

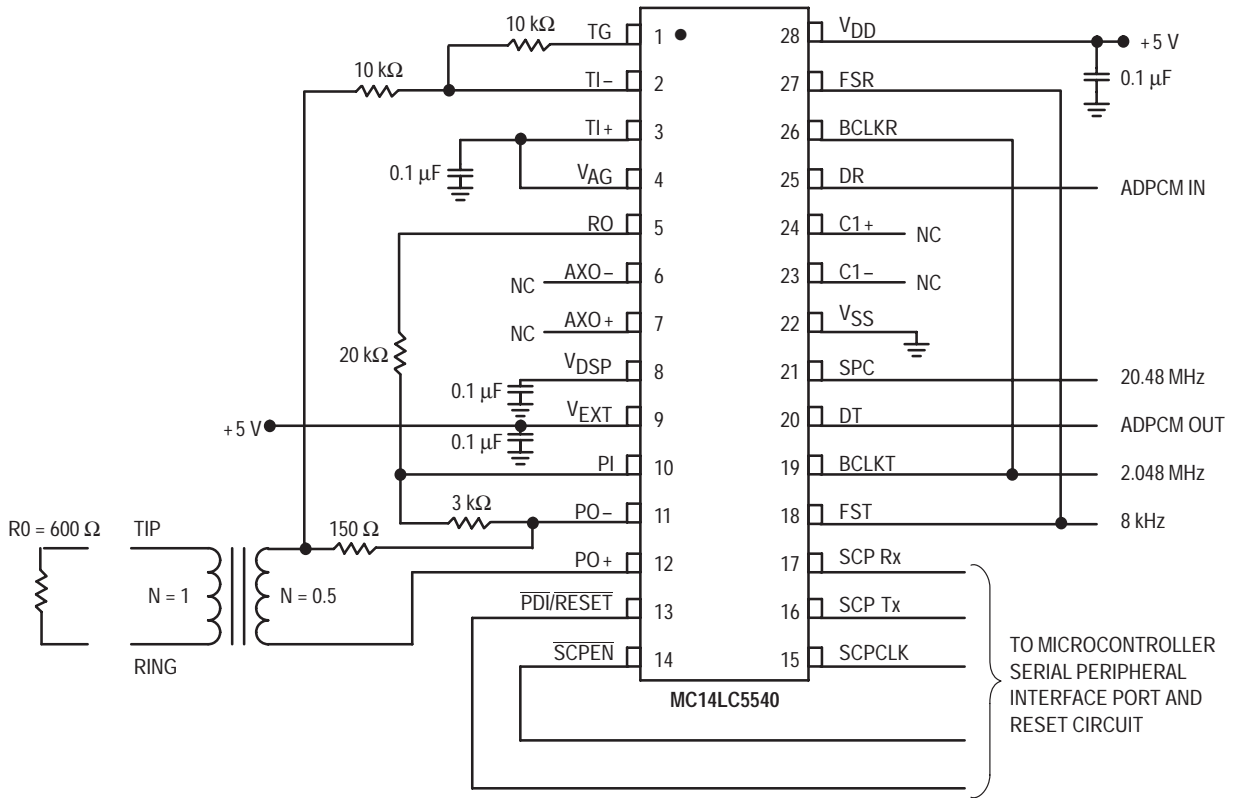


Figure 12. MC14LC5540 Step-Up 1:0.5 Transformer Application

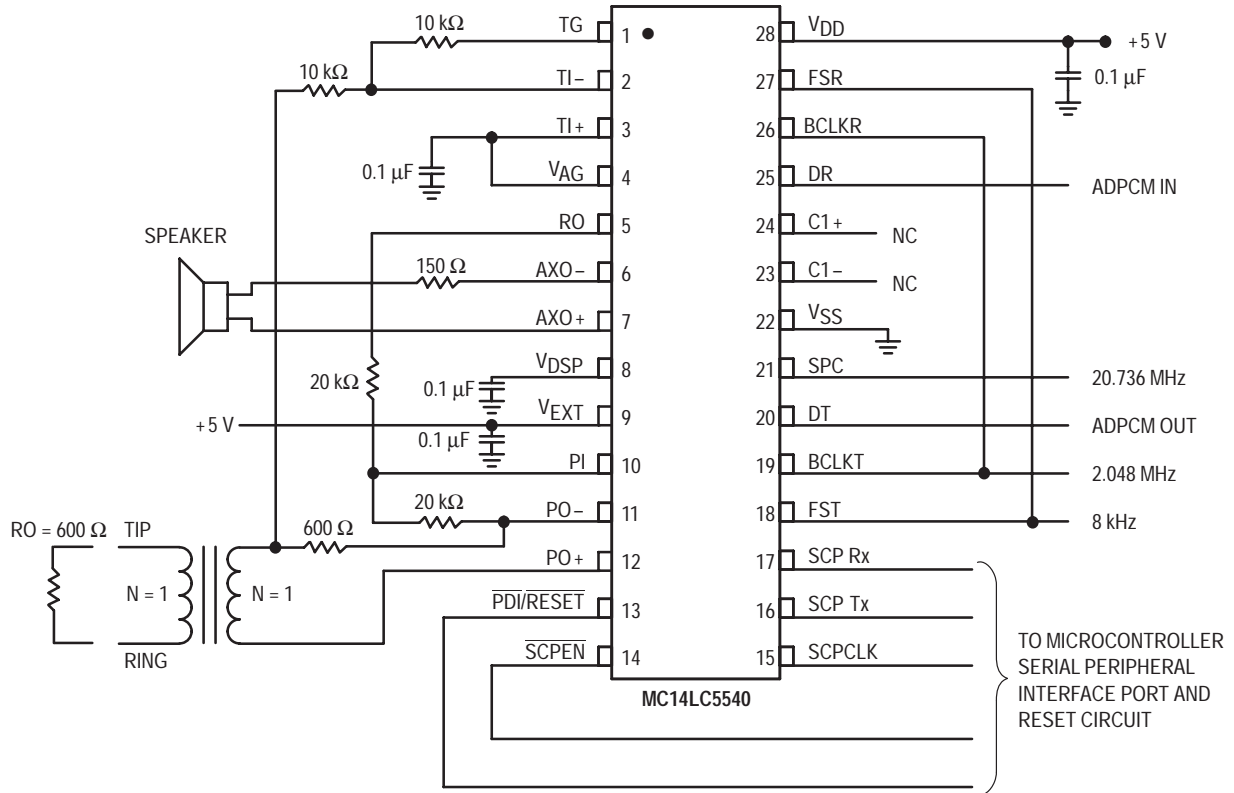


Figure 13. MC14LC5540 1:1 Transformer Application

Freescale Semiconductor, Inc.

This page intentionally left blank.

Freescale Semiconductor, Inc.

Freescale Semiconductor, Inc.

This page intentionally left blank.

Freescale Semiconductor, Inc.

Freescale Semiconductor, Inc.

HOW TO REACH US:

USA/EUROPE/LOCATIONS NOT LISTED:

Motorola Literature Distribution
P.O. Box 5405, Denver, Colorado 80217
1-303-675-2140
(800) 441-2447

JAPAN:

Motorola Japan Ltd.
SPS, Technical Information Center
3-20-1, Minami-Azabu Minato-ku
Tokyo 106-8573 Japan
81-3-3440-3569

ASIA/PACIFIC:

Motorola Semiconductors H.K. Ltd.
Silicon Harbour Centre, 2 Dai King Street
Tai Po Industrial Estate, Tai Po, N.T., Hong Kong
852-26668334

TECHNICAL INFORMATION CENTER:

(800) 521-6274

HOME PAGE:

www.motorola.com/semiconductors

Information in this document is provided solely to enable system and software implementers to use Motorola products. There are no express or implied copyright licenses granted hereunder to design or fabricate any integrated circuits or integrated circuits based on the information in this document.

Motorola reserves the right to make changes without further notice to any products herein.

Motorola makes no warranty, representation or guarantee regarding the suitability of its products for any particular purpose, nor does Motorola assume any liability arising out of the application or use of any product or circuit, and specifically disclaims any and all liability, including without limitation consequential or incidental damages. "Typical" parameters which may be provided in Motorola data sheets and/or specifications can and do vary in different applications and actual performance may vary over time. All operating parameters, including "Typicals" must be validated for each customer application by customer's technical experts. Motorola does not convey any license under its patent rights nor the rights of others. Motorola products are not designed, intended, or authorized for use as components in systems intended for surgical implant into the body, or other applications intended to support or sustain life, or for any other application in which the failure of the Motorola product could create a situation where personal injury or death may occur. Should Buyer purchase or use Motorola products for any such unintended or unauthorized application, Buyer shall indemnify and hold Motorola and its officers, employees, subsidiaries, affiliates, and distributors harmless against all claims, costs, damages, and expenses, and reasonable attorney fees arising out of, directly or indirectly, any claim of personal injury or death associated with such unintended or unauthorized use, even if such claim alleges that Motorola was negligent regarding the design or manufacture of the part.



Motorola and the Stylized M Logo are registered in the U.S. Patent and Trademark Office. digital dna is a trademark of Motorola, Inc. All other product or service names are the property of their respective owners. Motorola, Inc. is an Equal Opportunity/Affirmative Action Employer.

© Motorola, Inc. 2002

MC14LC5540TS/D

**For More Information On This Product,
Go to: www.freescale.com**