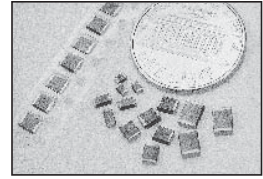


FEATURES

- RUGGED CONSTRUCTION IN STANDARD EIA SIZES
- EFFECTIVE EM/RFI SUPPRESSION UP TO 1 Ghz
- CURRENT RATINGS UP TO 5 AMPS (STYLE 2)
- 100% CLOSED MAGNETIC CIRCUIT, AVOIDS CROSSTALK
- BOTH FLOW AND REFLOW SOLDERING APPLICABLE
- OPERATING TEMPERATURE RANGE: -40°C TO +125°C

**RoHS
Compliant**
includes all homogeneous materials
*See Part Number System for Details



STANDARD VALUES AND CASE SIZES (mm)

EIA Size	NIC Part Number	Impedance at 100MHz Ω ($\pm 25\%$ Tol.)	DC Resistance Max. (Ω)	DC Current Max. (mA)	Style Code	A (mm)	B (mm)	C (mm)	D (mm)
0201	NCB0201N100TR050F	10	0.15	500	1	0.6 \pm 0.03	0.3 \pm 0.03	0.3 \pm 0.03	0.15 \pm 0.05
	NCB0201N330TR030F	33	0.5	300					
	NCB0201N560TR030F	56	0.6	300					
	NCB0201N800TR050F	80	0.5	500					
	NCB0201N121TR030F	120	0.7	300					
	NCB0201N241TR020F	240	1.0	200					
0402	NCB0402P300TR030F	30	0.2	300	1	1.0 \pm 0.5	0.50 \pm 0.15	0.5 \pm 0.15	0.25 \pm 0.15
	NCB0402P600TR030F	60	0.25	300					
	NCB0402P121TR010F	120	0.3	100					
	NCB0402P151TR010F	151	0.3	100					
	NCB0402P221TR010F	220	0.4	100					
	NCB0402P301TR005F	300	0.75	50					
	NCB0402P331TR010F	330	0.5	100					
	NCB0402P471TR010F	470	0.65	100					
	NCB0402P601TR010F	600	0.8	100					
0603	NCB0603R100TR070F	10	0.2	700	1	1.6 \pm 0.2	0.8 \pm 0.15	0.8 \pm 0.15	0.4 \pm 0.2
	NCB0603R300TR070F	30	0.2	700					
	NCB0603R600TR070F	60	0.2	700					
	NCB0603R800TR020F	80	0.3	200					
	NCB0603R121TR060F	120	0.25	600					
	NCB0603R141TR020F	140	0.3	200					
	NCB0603R151TR060F	150	0.25	600					
	NCB0603R221TR055F	220	0.3	550					
	NCB0603R301TR050F	300	0.35	500					
	NCB0603R451TR010F	450	0.7	100					
	NCB0603R471TR035F	470	0.45	350					
	NCB0603R601TR035F	600	0.5	350					
	NCB0603R751TR020F	750	0.7	200					
	NCB0603R801TR010F	800	0.9	100					
		NCB0603R102TR020F	1000	0.7					
	NCB0603R152TR030F	1500	1.0	300					
	NCB0603R202TR015F	2000	1.2	150					
0805	NCB0805A070TR060F	7	0.1	600	1	2.0 \pm 0.2	1.25 \pm 0.2	0.9 \pm 0.2	0.5 \pm 0.3
	NCB0805A110TR090F	11	0.1	900					
	NCB0805A170TR060F	17	0.1	600					
	NCB0805A260TR060F	26	0.1	600					
	NCB0805A300TR060F	30	0.1	600					
	NCB0805A320TR050F	32	0.3	500					
	NCB0805A400TR060F	40	0.1	600					
	NCB0805A600TR090F	60	0.1	900					
	NCB0805A800TR040F	80	0.4	400					
	NCB0805A900TR060F	90	0.1	600					
	NCB0805A121TR080F	120	0.2	800					
	NCB0805A151TR080F	150	0.2	800					
	NCB0805A221TR075F	220	0.3	750					
	NCB0805A301TR070F	300	0.3	700					
	NCB0805A401TR020F	400	0.9	200					
	NCB0805A471TR070F	470	0.35	700					
	NCB0805A601TR050F	600	0.4	500					
		NCB0805A801TR045F	800	0.4					
	NCB0805A102TR040F	1000	0.45	400					

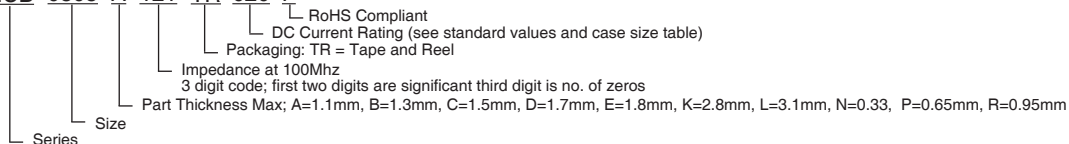


STANDARD VALUES AND CASE SIZES (mm)

EIA Size	NIC P/N	Impedance at 100MHz Ω ($\pm 25\%$ Tol.)	DC Resistance Max. (Ω)	DC Current Max. (mA)	Style Code	A (mm)	B (mm)	C (mm)	D (mm)
0805	NCB0805A152TR035F	1500	0.5	350	1	2.0 \pm 0.2	1.25 \pm 0.2	0.9 \pm 0.2	0.5 \pm 0.3
	NCB0805A202TR025F	2000	0.6	250					
	NCB0805A222TR010F	2200	0.75	100					
	NCB0805A232TR020F	2300	0.8	200					
	NCB0805A252TR020F	2500	0.75	200					
NCB0805A272TR015F	2700	1.1	150						
1206	NCB1206B190TR050F	19	0.15	500	1	3.2 \pm 0.2	1.6 \pm 0.2	1.1 \pm 0.2	0.5 \pm 0.3
	NCB1206B260TR050F	26	0.15	500					
	NCB1206B310TR050F	31	0.2	500					
	NCB1206B320TR050F	32	0.15	500					
	NCB1206B420TR050F	42	0.2	500					
	NCB1206B500TR050F	50	0.2	500					
	NCB1206B600TR040F	60	0.2	400					
	NCB1206B700TR050F	70	0.2	500					
	NCB1206B900TR050F	90	0.2	500					
	NCB1206B101TR090F	100	0.15	900					
	NCB1206B121TR090F	120	0.15	900					
	NCB1206B151TR090F	150	0.15	900					
	NCB1206B201TR020F	200	0.5	200					
	NCB1206B221TR070F	220	0.35	700					
	NCB1206B301TR070F	300	0.35	700					
	NCB1206B401TR020F	400	0.5	200					
	NCB1206B471TR040F	470	0.35	400					
	NCB1206B501TR020F	500	0.5	200					
	NCB1206B601TR040F	600	0.4	400					
	NCB1206B801TR030F	800	0.6	300					
NCB1206B102TR030F	1000	0.6	300						
NCB1206B122TR010F	1200	1	100						
NCB1206B152TR030F	1500	0.7	300						
NCB1206B202TR030F	2000	1.5	300						
1210	NCB1210C310TR040F	31	0.3	400	1	3.2 \pm 0.2	2.5 \pm 0.2	1.3 \pm 0.2	0.5 \pm 0.3
	NCB1210C320TR040F	32	0.3	400					
	NCB1210C520TR040F	52	0.3	400					
	NCB1210C600TR040F	60	0.3	400					
	NCB1210C800TR040F	80	0.3	400					
	NCB1210C900TR040F	90	0.3	400					
NCB1210C202TR010F	2000	1.5	100						
1806	NCB1806E600TR040F	60	0.3	400	1	4.5 \pm 0.25	1.6 \pm 0.2	1.6 \pm 0.2	0.5 \pm 0.3
	NCB1806E800TR040F	80	0.3	400					
	NCB1806E101TR050F	100	0.1	500					
	NCB1806E151TR020F	150	0.5	200					
1812	NCB1812D700TR030F	70	0.4	300	1	4.5 \pm 0.25	3.2 \pm 0.2	1.5 \pm 0.2	0.5 \pm 0.3
	NCB1812D800TR030F	80	0.4	300					
	NCB1812D121TR050F	120	0.3	500					
	NCB1812D131TR030F	130	0.4	300					

PART NUMBER SYSTEM

NCB 0805 A 121 TR 020 F



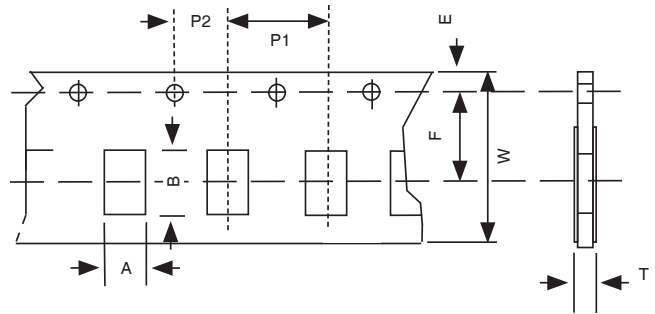
For Impedance (Z) over Frequency curves
see www.RFpassives.com



TAPE DIMENSIONS (mm)

Dimensions	NCB0201N	NCB0402P	NCB0603R	NCB0805A
A	0.38 ± 0.03	0.62 ± 0.03	1.05 ± 0.03	1.50 ± 0.05
B	0.68 ± 0.03	1.12 ± 0.03	1.85 ± 0.03	2.30 ± 0.05
T	0.44 ± 0.03	0.60 ± 0.03	0.95 ± 0.05	0.95 ± 0.05
W	8.0 ± 0.1			
E	1.75 ± 0.1			
F	3.5 ± 0.1			
P1	2.0 ± 0.1		4.0 ± 0.1	
P2	2.0 ± 0.1			
Chips/Reel	10,000	10,000	4,000	4,000
Fig.	1	1	1	1

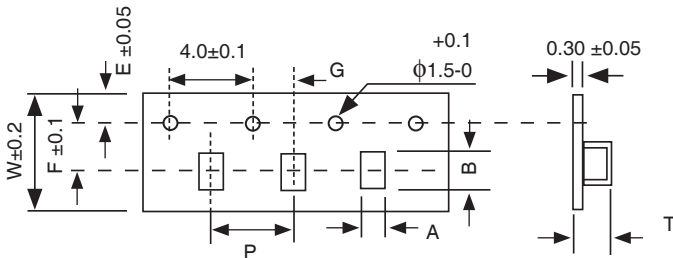
FIGURE 1 (PRESSED PAPER CARRIER)



TAPE DIMENSIONS (mm)

Dimensions	NCB1206B	NCB1206E	NCB1210C	NCB1806E	NCB1812D	NCB1612K	NCB3312K	NCB3119L
A	1.94 ± 0.1	1.94 ± 0.1	2.80 ± 0.1	1.94 ± 0.1	3.64 ± 0.1	3.65 ± 0.1	3.45 ± 0.1	5.25 ± 0.1
B	3.54 ± 0.1	3.64 ± 0.1	3.42 ± 0.1	4.94 ± 0.1	4.94 ± 0.1	5.40 ± 0.1	9.30 ± 0.1	8.75 ± 0.1
T	1.29 ± 0.05	1.90 ± 0.05	1.64 ± 0.05	1.90 ± 0.05	1.80 ± 0.05	3.05 ± 0.05	3.05 ± 0.05	3.70 ± 0.05
W	8.0		12.0				16.0	
E	1.75				2.0			
F	3.5			5.5			7.5	
G	2.0 ± 0.05						4.0 ± 0.05	
P	4.0 ± 0.1				8.0 ± 0.1			
Chips/Reel	3,000	2,000	2,500	2,000	1,000	500	500	500
Fig.	2	2	2	2	2	2	2	2

FIGURE 2 (EMBOSSED PLASTIC CARRIER)



DIMENSIONS (mm)

Size	A	B	C
0201	0.30	0.32	0.25
0402	0.80	0.55	0.50
0603	1.00	0.60	0.80
0805	1.00	1.20	1.20
1206	1.00	1.80	2.00
1210	1.00	2.70	2.00
1806	1.05	1.80	3.30
1812	1.05	3.50	3.30
1612	1.70	2.00	2.20
3312	1.70	2.00	6.60
3119	1.70	2.00	5.80

REEL DIMENSIONS

Dim	Size: 0201, 0402, 0603, 0805, 1206, 1210	Size: 1806, 1812, 1612	Size: 3312, 3319
A	178 ± 2.0		
B	60 ± 1.0		
C	13.0 ± 0.5		
D	21.0 ± 0.8		
E	2.0 ± 0.5		
W	10.0 ± 1.0	14.0 ± 1.0	18.0 ± 1.0
t	2.0 ± 0.5		
R	1.0		

RECOMMENDED LAND PATTERN (mm)

