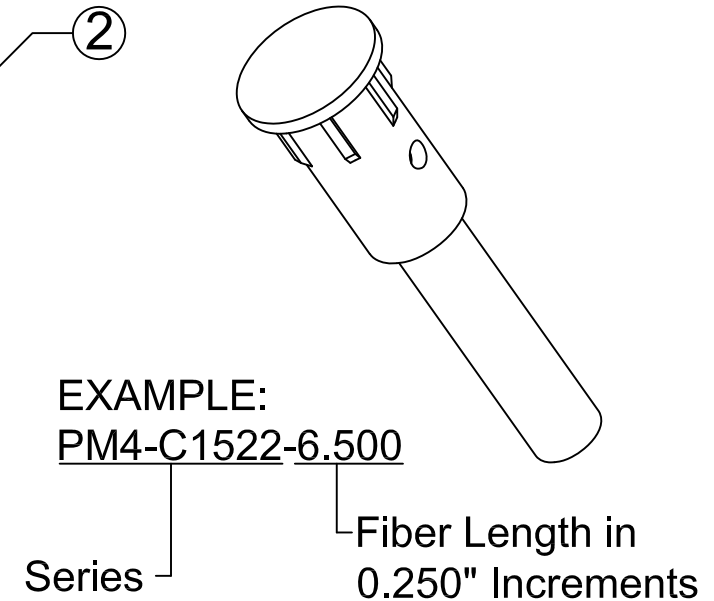
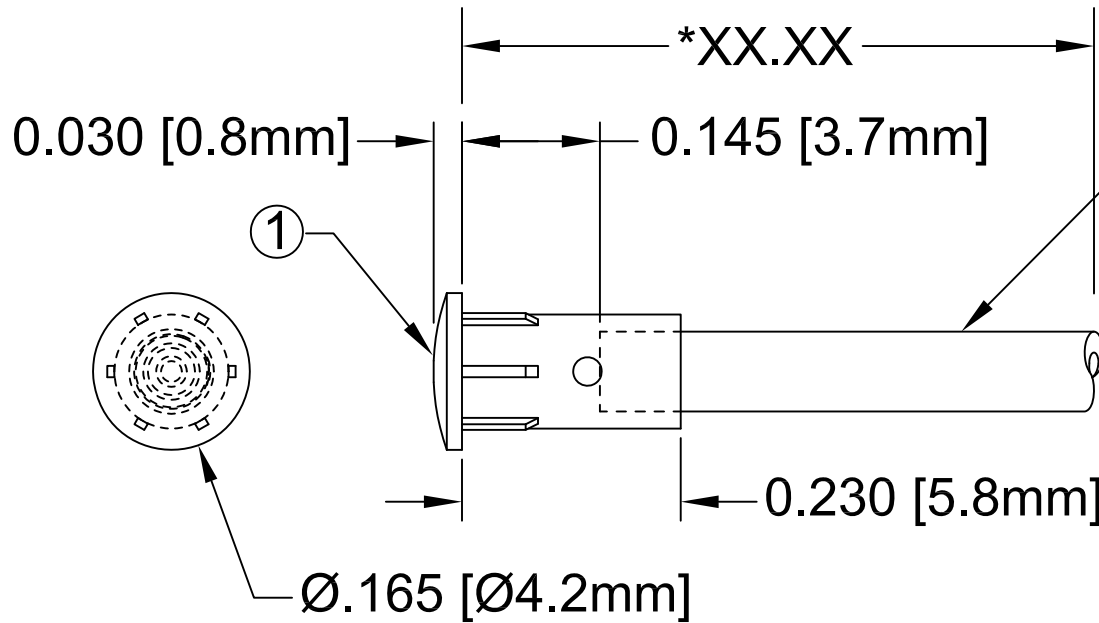
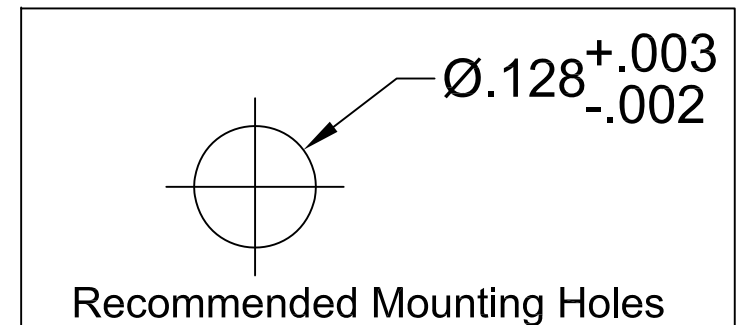


| ITEM | Q'TY | PART NUMBER | PART DESCRIPTION |
|------|------|----------------|--|
| 1 | 1 | FLP-LC | HOLDER CAP, FLEXIBLE LIGHT-PIPE |
| 2 | 1 | FLPS1522-X.XXX | 1.5mm LIGHT PIPE CABLE, CUT LENGTH IN INCHES |


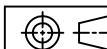
| REV. | DESCRIPTION | DATE | APPROVED |
|------|----------------------|----------|----------|
| A | Engineering Release | 04/20/12 | T. Y. |
| B | Updated Fiber IN BOM | 12/12/12 | T. Y. |
| | | | |
| | | | |
| | | | |



| *Length "XX.XX" | Tolerance |
|-------------------|-----------|
| 0.750" ~ 16.000" | ±0.050" |
| 16.250" ~ 40.000" | ±0.150" |
| 40.250" ~ 80.000" | ±0.300" |
| 80.250" ~ 500.0" | ±0.5% |



*NOTE:
AVAILABLE CUT LENGTH IS UP TO 3 DECIMAL PLACES

| | | | |
|--|--------------------------|--|------------------------------|
| STANDARD TOLERANCE (UNLESS OTHERWISE SPECIFIED) | |  BIVAR [®] 4 THOMAS, IRVINE, CA. 92618 TEL: (949) 951-8808 FAX: (949) 951-3974 | |
| DECIMALS | ANGULAR | | |
| .X ±.1 | X° ± 1° |  TITLE: 4mm Circular Lens Flexible Light Pipe FLPS1522 Indicators | |
| .XX ±.02 | | | |
| .XXX ±.010 | | | |
| DESIGNED: Ty Yin | DATE: 04/20/12 | PART NO: PM4-C1522-XX.XX | REVISION: B |
| CHECKED: B. Oliver | DATE: 04/20/12 | CAGE CODE : 32559 | SHEET # 1 OF 1 |
| CAD GENERATED DOCUMENT, DO NOT MEASURE DRAWING. | | | |