

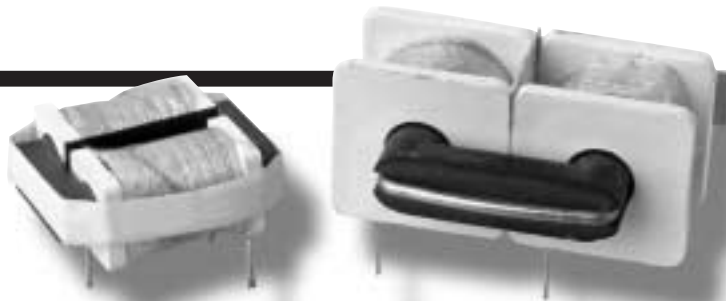


RL-1328

RL-1329

COMMON MODE CHOKES

U-CORE DESIGN



Special Features:

- Designed to meet UL, CSA, VDE
- Low Profile
- Varnish Impregnated
- MTL Used Class B 130°C
- Nonlisted Values Available
- MIL Spec. and Encapsulation Available

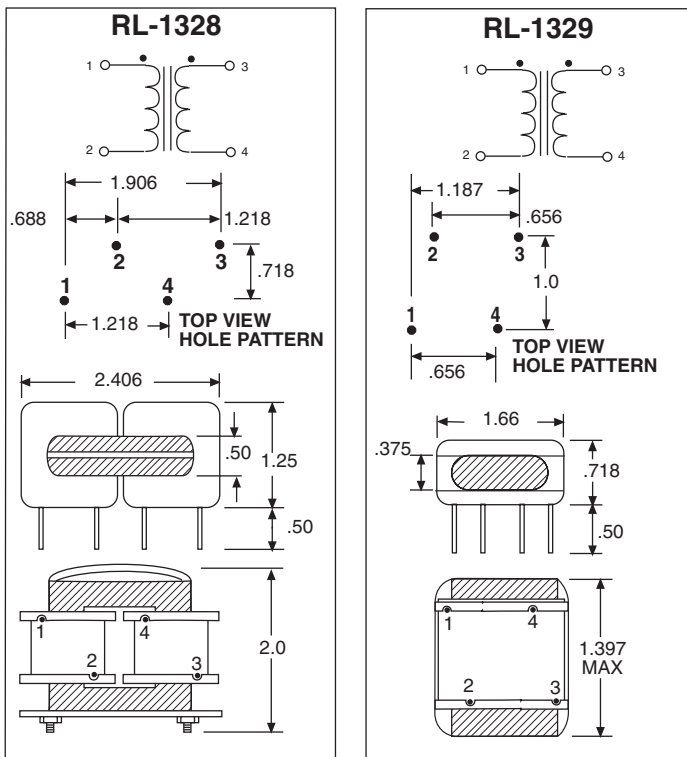
Renco Common Mode Chokes are designed to help meet U.S. and international requirements for safety and EMI. By placing these chokes at the inputs of electrical equipment or circuits EMI feedback can be kept within specified limits. These low priced Common Mode Chokes are available in a wide range of standard inductances and with current ratings up to 35 Amps. All leads are pretinned to enable ease of soldering in PC mounting applications.

Application:

Under normal operating conditions, power supplied through the Common Mode Choke is balanced. When the equipment in which the choke is utilized generates electrical noise due to operation of relays, triacs, SCRs, etc., these transient noise pulses cause an imbalance in the power line current. Since the coils of the Common Mode Choke are out of phase with each other, noise being fed back to the power line is cancelled or minimized to an acceptable level and does not interfere with other equipment operating on the same power line.

Specifications:

- Windings balanced within 1%
- @+80°C ambient, +40°C rise
- -55°C to +130°C operating temperature
- 2500 VAC Hipot winding to winding
- 2500 VAC Hipot winding to core
- All specifications measured @ +20°C
- Inductance values: ±25% @ 1KHz



ALL DIMENSIONS IN INCHES



RENCO ELECTRONICS, INC.

595 International Place, Rockledge, FL 32955-4200 USA

(321) 637-1000 • Toll Free Engineering Hot line 800-645-5828

Fax: (321) 637-1600 Web Site: www.rencousa.com E-mail: sales@rencousa.com

RL-1328-3			
Renco Part No.	L @ 1KHz (μ H)*	Max. DCR* (Ohms)	Leakage† Inductance (μ H) Max.
RL-1328-3-100	100	.033	20
RL-1328-3-150	150	.034	25
RL-1328-3-180	180	.035	28
RL-1328-3-220	220	.036	32
RL-1328-3-270	270	.037	37
RL-1328-3-330	330	.038	40
RL-1328-3-390	390	.039	45
RL-1328-3-470	470	.040	49
RL-1328-3-560	560	.041	50
RL-1328-3-680	680	.042	53
RL-1328-3-820	820	.044	66
RL-1328-3-1000	1000	.050	80
RL-1328-3-1200	1200	.055	93
RL-1328-3-1500	1500	.060	117
RL-1328-3-1800	1800	.066	150
RL-1328-3-2200	2200	.073	177
RL-1328-3-2700	2700	.083	220
RL-1328-3-3300	3300	.088	270
RL-1328-3-3900	3900	.100	320
RL-1328-3-4700	4700	.115	386
RL-1328-3-5600	5600	.121	462
RL-1328-3-6800	6800	.133	510
RL-1328-3-8200	8200	.144	688
RL-1328-3-10000	10000	.165	825
RL-1328-3-12000	12000	.188	980
RL-1328-3-15000	15000	.209	1210
RL-1328-3-18000	18000	.290	1430
RL-1328-3-22000	22000	.315	1730
RL-1328-3-27000	27000	.350	2123
RL-1328-3-33000	33000	.500	2640
RL-1328-3-39000	39000	.540	3080

Suggested rated current — 3 Amps



RENCO ELECTRONICS, INC.

✉ 595 International Place, Rockledge, FL 32955-4200 USA

☎ (321) 637-1000 • Toll Free Engineering Hot line 800-645-5828

📠 Fax: (321) 637-1600 🌐 Web Site: www.rencousa.com ✉ E-mail: sales@rencousa.com

RL-1328-5			
Renco Part No.	L @ 1KHz (μ H)*	Max. DCR* (Ohms)	Leakage† Inductance (μ H) Max.
RL-1328-5-100	100	.010	17
RL-1328-5-120	120	.012	19
RL-1328-5-150	150	.013	21
RL-1328-5-180	180	.014	24
RL-1328-5-220	220	.015	26
RL-1328-5-270	270	.017	28
RL-1328-5-330	330	.019	30
RL-1328-5-390	390	.020	32
RL-1328-5-470	470	.022	35
RL-1328-5-560	560	.024	39
RL-1328-5-680	680	.027	48
RL-1328-5-820	820	.028	60
RL-1328-5-1000	1000	.031	72
RL-1328-5-1200	1200	.034	94
RL-1328-5-1500	1500	.037	100
RL-1328-5-1800	1800	.041	130
RL-1328-5-2200	2200	.047	167
RL-1328-5-2700	2700	.052	208
RL-1328-5-3300	3300	.057	248
RL-1328-5-3900	3900	.063	286
RL-1328-5-4700	4700	.075	349
RL-1328-5-5600	5600	.078	417
RL-1328-5-6800	6800	.088	506
RL-1328-5-8200	8200	.100	603
RL-1328-5-10000	10000	.110	733
RL-1328-5-12000	12000	.127	883

Suggested rated current — 5 Amps

RL-1328-10			
Renco Part No.	L @ 1KHz (μ H)*	Max. DCR* (Ohms)	Leakage† Inductance (μ H) Max.
RL-1328-10-100	100	.0080	10
RL-1328-10-120	120	.0085	11
RL-1328-10-150	150	.0090	13
RL-1328-10-180	180	.0095	14
RL-1328-10-220	220	.0100	16
RL-1328-10-270	270	.0120	22
RL-1328-10-330	330	.0130	26
RL-1328-10-390	390	.0140	29
RL-1328-10-470	470	.0160	38
RL-1328-10-560	560	.0170	43
RL-1328-10-680	680	.0190	53
RL-1328-10-820	820	.0200	63
RL-1328-10-1000	1000	.0220	75
RL-1328-10-1200	1200	.0240	94
RL-1328-10-1500	1500	.0270	119
RL-1328-10-1800	1800	.0320	140
RL-1328-10-2200	2200	.0350	176
RL-1328-10-2700	2700	.0390	215
RL-1328-10-3300	3300	.0450	267
RL-1328-10-3900	3900	.0490	316
RL-1328-10-4700	4700	.0560	380
RL-1328-10-5600	5600	.0660	460

Suggested rated current — 10 Amps



RENCO ELECTRONICS, INC.

595 International Place, Rockledge, FL 32955-4200 USA

(321) 637-1000 • Toll Free Engineering Hot line 800-645-5828

Fax: (321) 637-1600 Web Site: www.rencousa.com E-mail: sales@rencousa.com

RL-1328-15			
Renco Part No.	L @ 1KHz (μ H)*	Max. DCR* (Ohms)	Leakage† Inductance (μ H) Max.
RL-1328-15-100	100	.007	8
RL-1328-15-120	120	.007	12
RL-1328-15-150	150	.007	14
RL-1328-15-180	180	.007	16
RL-1328-15-220	220	.007	18
RL-1328-15-270	270	.008	21
RL-1328-15-330	330	.008	26
RL-1328-15-390	390	.010	29
RL-1328-15-470	470	.011	38
RL-1328-15-560	560	.012	42
RL-1328-15-680	680	.013	51
RL-1328-15-820	820	.014	62
RL-1328-15-1000	1000	.015	85
RL-1328-15-1200	1200	.018	93
RL-1328-15-1500	1500	.019	115
RL-1328-15-1800	1800	.021	146
RL-1328-15-2200	2200	.024	170
RL-1328-15-2700	2700	.027	208

Suggested rated current — 15 Amps

RL-1328-22			
Renco Part No.	L @ 1KHz (μ H)*	Max. DCR* (Ohms)	Leakage† Inductance (μ H) Max.
RL-1328-22-47	47	.0025	7
RL-1328-22-68	68	.0028	8
RL-1328-22-100	100	.0032	9
RL-1328-22-120	120	.0037	10
RL-1328-22-150	150	.0040	15
RL-1328-22-180	180	.0043	18
RL-1328-22-220	220	.0047	20
RL-1328-22-270	270	.0050	25
RL-1328-22-330	330	.0055	31
RL-1328-22-390	390	.0060	35
RL-1328-22-470	470	.0065	38
RL-1328-22-560	560	.0070	45
RL-1328-22-680	680	.0080	50

Suggested rated current — 22 Amps

RL-1328-35			
Renco Part No.	L @ 1KHz (μ H)*	Max. DCR* (Ohms)	Leakage† Inductance (μ H) Max.
RL-1328-35-47	47	.0020	5
RL-1328-35-68	68	.0021	6
RL-1328-35-100	100	.0023	9
RL-1328-35-120	120	.0025	10
RL-1328-35-150	150	.0026	11
RL-1328-35-180	180	.0028	15
RL-1328-35-220	220	.0032	18
RL-1328-35-270	270	.0037	24
RL-1328-35-330	330	.0040	27

Suggested rated current — 35 Amps



RENCO ELECTRONICS, INC.

✉ 595 International Place, Rockledge, FL 32955-4200 USA

☎ (321) 637-1000 • Toll Free Engineering Hot line 800-645-5828

📠 Fax: (321) 637-1600 🌐 Web Site: www.rencousa.com ✉ E-mail: sales@rencousa.com

RL-1329-2			
Renco Part No.	L @ 1KHz (μ H)*	Max. DCR* (Ohms)	Leakage† Inductance (μ H) Max.
RL-1329-2-47	47	.021	5
RL-1329-2-68	68	.022	6
RL-1329-2-100	100	.025	10
RL-1329-2-150	150	.031	20
RL-1329-2-220	220	.035	30
RL-1329-2-330	330	.044	55
RL-1329-2-470	470	.048	75
RL-1329-2-680	680	.058	90
RL-1329-2-1000	1000	.072	100
RL-1329-2-1500	1500	.077	110
RL-1329-2-1800	1800	.095	130
RL-1329-2-2200	2200	.099	138
RL-1329-2-3300	3300	.121	210
RL-1329-2-4700	4700	.132	242
RL-1329-2-6800	6800	.176	418
RL-1329-2-10000	10000	.216	627
RL-1329-2-12000	12000	.242	781
RL-1329-2-15000	15000	.355	924
RL-1329-2-18000	18000	.500	1100
RL-1329-2-22000	22000	.555	1430

Suggested rated current — 2 Amps

RL-1329-3			
Renco Part No.	L @ 1KHz (μ H)*	Max. DCR* (Ohms)	Leakage† Inductance (μ H) Max.
RL-1329-3-47	47	.010	5
RL-1329-3-68	68	.011	6
RL-1329-3-100	100	.013	7
RL-1329-3-150	150	.017	11
RL-1329-3-220	220	.021	17
RL-1329-3-330	330	.024	22
RL-1329-3-470	470	.027	30
RL-1329-3-680	680	.034	42
RL-1329-3-1000	1000	.041	57
RL-1329-3-1500	1500	.052	88
RL-1329-3-2200	2200	.062	132
RL-1329-3-3300	3300	.074	190
RL-1329-3-4700	4700	.120	264
RL-1329-3-6800	6800	.185	410

Suggested rated current — 3 Amps



RENCO ELECTRONICS, INC.

✉ 595 International Place, Rockledge, FL 32955-4200 USA

☎ (321) 637-1000 • Toll Free Engineering Hot line 800-645-5828

📠 Fax: (321) 637-1600 🌐 Web Site: www.rencousa.com ✉ E-mail: sales@rencousa.com

RL-1329-5			
Renco Part No.	L @ 1KHz (μ H)*	Max. DCR* (Ohms)	Leakage† Inductance (μ H) Max.
RL-1329-5-47	47	.009	6
RL-1329-5-68	68	.010	8
RL-1329-5-100	100	.011	10
RL-1329-5-120	120	.012	13
RL-1329-5-150	150	.013	16
RL-1329-5-180	180	.014	18
RL-1329-5-220	220	.015	20
RL-1329-5-270	270	.016	30
RL-1329-5-330	330	.017	35
RL-1329-5-390	390	.018	45
RL-1329-5-470	470	.019	55
RL-1329-5-560	560	.021	65
RL-1329-5-680	680	.023	75
RL-1329-5-820	820	.025	80
RL-1329-5-1000	1000	.029	85
RL-1329-5-1200	1200	.031	90
RL-1329-5-1500	1500	.034	100
RL-1329-5-1800	1800	.036	110
RL-1329-5-2200	2200	.042	121
RL-1329-5-2700	2700	.058	143
RL-1329-5-3300	3300	.060	176
RL-1329-5-3900	3900	.085	209
RL-1329-5-4700	4700	.120	290
RL-1329-5-5600	5600	.165	297

Suggested rated current —5 Amps

RL-1329-10			
Renco Part No.	L @ 1KHz (μ H)*	Max. DCR* (Ohms)	Leakage† Inductance (μ H) Max.
RL-1329-10-47	47	.0060	3.7
RL-1329-10-68	68	.0065	4.8
RL-1329-10-100	100	.0070	6.5
RL-1329-10-120	120	.0080	7.5
RL-1329-10-150	150	.0090	10.0
RL-1329-10-180	180	.0100	12.0
RL-1329-10-270	270	.0120	15.0
RL-1329-10-330	330	.0130	17.0
RL-1329-10-390	390	.0140	21.0
RL-1329-10-470	470	.0150	25.0
RL-1329-10-560	560	.0200	30.0
RL-1329-10-680	680	.0230	37.0
RL-1329-10-820	820	.0250	44.0
RL-1329-10-1000	1000	.0280	57.0
RL-1329-10-1200	1200	.0320	85.0

Suggested rated current —10 Amps



RENCO ELECTRONICS, INC.

✉ 595 International Place, Rockledge, FL 32955-4200 USA

☎ (321) 637-1000 • Toll Free Engineering Hot line 800-645-5828

📠 Fax: (321) 637-1600 🌐 Web Site: www.rencousa.com ✉ E-mail: sales@rencousa.com

RL-1329-15			
Renco Part No.	L @ 1KHz (μ H)*	Max. DCR* (Ohms)	Leakage† Inductance (μ H) Max.
RL-1329-15-27	27	.0035	4
RL-1329-15-47	47	.0040	5
RL-1329-15-68	68	.0045	6
RL-1329-15-100	100	.0050	9
RL-1329-15-150	150	.0055	11
RL-1329-15-180	180	.0060	15
RL-1329-15-220	220	.0070	17

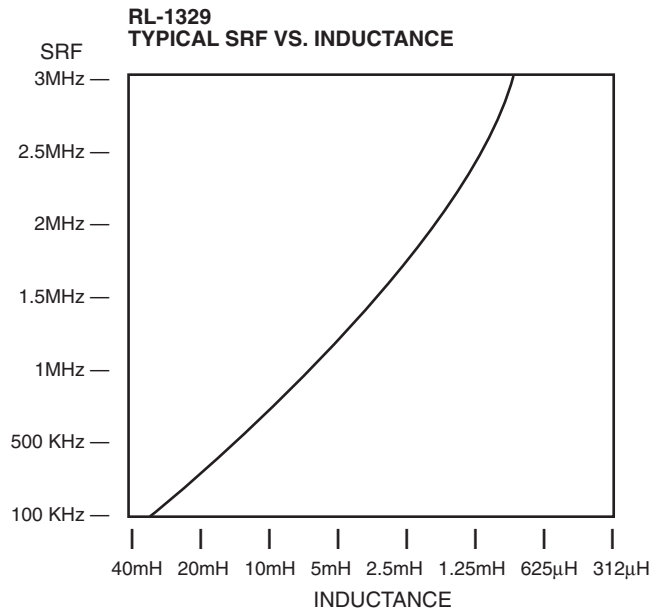
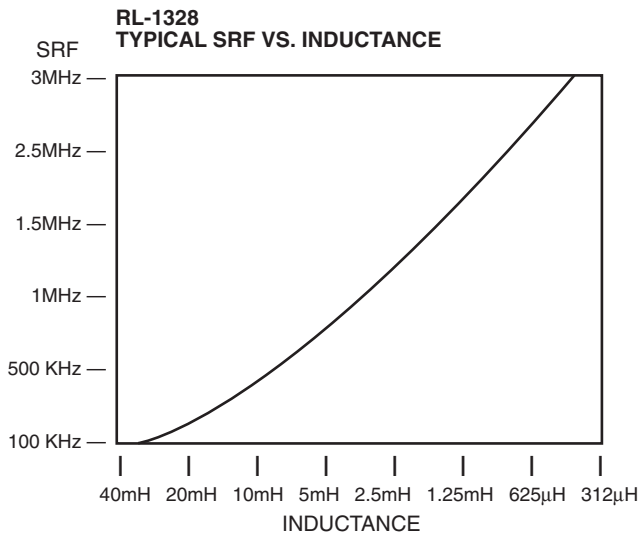
Suggested rated current —15 Amps

RL-1329-22			
Renco Part No.	L @ 1KHz (μ H)*	Max. DCR* (Ohms)	Leakage† Inductance (μ H) Max.
RL-1329-22-6.8	6.8	.0028	1.5
RL-1329-22-15	15.0	.0030	1.8
RL-1329-22-27	27.0	.0032	2.7
RL-1329-22-39	39.0	.0036	3.5
RL-1329-22-56	56.0	.0040	5.6
RL-1329-22-82	82.0	.0045	6.7
RL-1329-22-100	100.0	.0050	7.8

Suggested rated current —22 Amps

NOTES:

- * Measured between 1 and 2 or 3 and 4.
- † Measured across 1 and 2 with 3 and 4 shorted, or measured across 3 and 4 with 1 and 2 shorted.



RENCO ELECTRONICS, INC.

595 International Place, Rockledge, FL 32955-4200 USA

(321) 637-1000 • Toll Free Engineering Hot line 800-645-5828

Fax: (321) 637-1600 Web Site: www.rencousa.com E-mail: sales@rencousa.com