

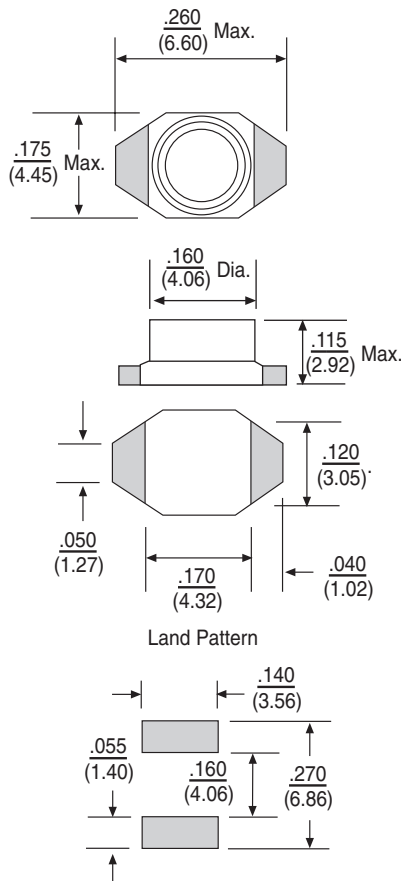


# RL-1608-S

## SHIELDED SMD POWER INDUCTORS



The RL-1608-S Series offers shielded surface mount power inductors in our smallest package with a footprint of .26" x .175". With a low cost, high energy storage and low resistance they are ideal for communication, computer and converter applications. Specifically designed with a flat top for reliable pick and place operations. Available in 25 values with inductance ratings from 1.0 $\mu$ H to 10mH and currents up to 3 Amps.



**TAPE AND REEL PACKAGING**  
 Pieces per Reel 2500  
 Plastic Reel Size 13"

PART NUMBER	Inductance <sup>1</sup> ( $\mu$ H $\pm$ 20%)	SRF Typ. (MHz)	Q Min	DCR max. (Ohms)	DC SAT <sup>2</sup> (Amps)	Rated Current <sup>3</sup> (Amps)
RL-1608-S-1.0	1.0	250	30 <sup>4</sup>	.040	1.40	3.0
RL-1608-S-1.5	1.5	125	30 <sup>4</sup>	.045	0.93	2.8
RL-1608-S-2.2	2.2	120	40 <sup>4</sup>	.050	0.92	1.8
RL-1608-S-3.3	3.3	120	40 <sup>4</sup>	.055	0.75	1.6
RL-1608-S-4.7	4.7	105	40 <sup>4</sup>	.060	0.58	1.4
RL-1608-S-6.8	6.8	90	40 <sup>4</sup>	.065	0.58	1.2
RL-1608-S-10	10	38	40 <sup>4</sup>	.075	0.37	1.0
RL-1608-S-15	15	33	40	.090	0.31	.80
RL-1608-S-22	22	25	40	.11	0.30	.70
RL-1608-S-33	33	20	40	.19	0.30	.60
RL-1608-S-47	47	20	40	.30	0.24	.50
RL-1608-S-68	68	15	40	.37	0.17	.40
RL-1608-S-100	100	10	40	.48	0.13	.30
RL-1608-S-150	150	9	40	.59	0.10	.26
RL-1608-S-220	220	6	40	.77	0.10	.22
RL-1608-S-330	330	5	40	1.4	0.07	.20
RL-1608-S-470	470	4	40	1.8	0.06	.19
RL-1608-S-680	680	3	40	2.2	0.055	.18
RL-1608-S-1000	1000	2	40	3.4	0.045	.15
RL-1608-S-1500	1500	2	50	4.2	0.035	.12
RL-1608-S-2200	2200	2	50	8.5	0.028	.10
RL-1608-S-3300	3300	1	50	11.0	0.024	.08
RL-1608-S-4700	4700	1	50	13.9	0.021	.06
RL-1608-S-6800	6800	1	50	25.0	0.019	.04
RL-1608-S-10000	10000	0.8	50	32.8	0.017	.02

1. Tested at 100 kHz, 0.1 Vrms.
  2. Inductance drop =30% typ.
  3.  $\Delta$ T = 40°C rise max.
  4. Tested at 200 KHz
- Operating temperature range -40°C to +85°C.  
 Storage temperature range -40°C to +105°C.  
 Resistance to solder heat 260°C, 10 secs.

ALL DIMENSIONS IN INCHES (mm)



**RENCO ELECTRONICS, INC.**

595 International Place, Rockledge, FL 32955-4200 USA

(321) 637-1000 • Toll Free Engineering Hot line 800-645-5828

SINCE 1955 Fax: (321) 637-1600 Web Site: www.rencousa.com E-mail: sales@rencousa.com