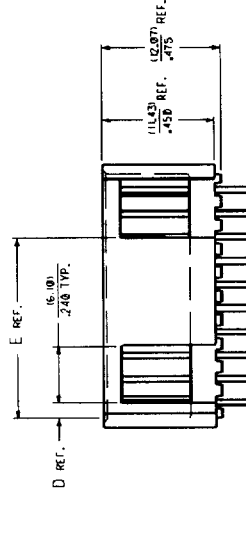
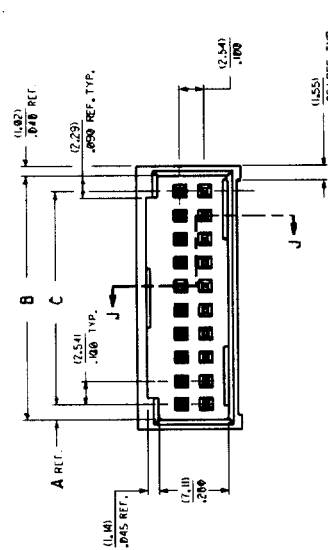
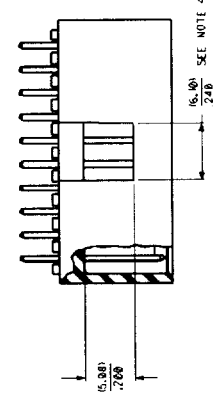
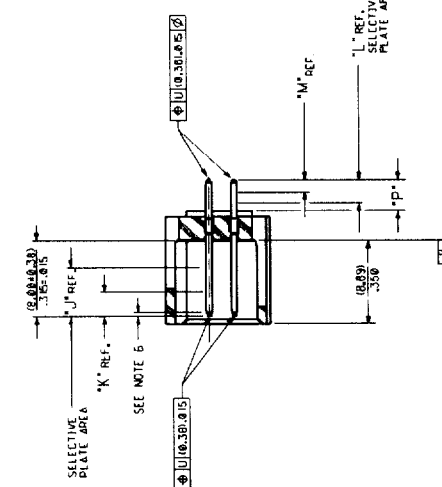
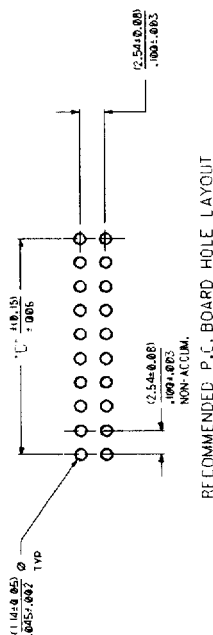


QTY	DIM 'A'	DIM 'B'	DIM 'C'	DIM 'D'	DIM 'E'	REF.
06	11.68 ±.005	15.081 ±.005	11.52 ±.005	11.58 ±.005	11.58 ±.005	
08	11.68 ±.005	18.371 ±.005	11.52 ±.005	11.58 ±.005	11.58 ±.005	
10	11.68 ±.005	21.661 ±.005	11.52 ±.005	11.58 ±.005	11.58 ±.005	
12	11.68 ±.005	24.951 ±.005	11.52 ±.005	11.58 ±.005	11.58 ±.005	
14	11.68 ±.005	28.241 ±.005	11.52 ±.005	11.58 ±.005	11.58 ±.005	
16	11.68 ±.005	31.531 ±.005	11.52 ±.005	11.58 ±.005	11.58 ±.005	
18	11.68 ±.005	34.821 ±.005	11.52 ±.005	11.58 ±.005	11.58 ±.005	
20	11.68 ±.005	38.111 ±.005	11.52 ±.005	11.58 ±.005	11.58 ±.005	
22	11.68 ±.005	41.401 ±.005	11.52 ±.005	11.58 ±.005	11.58 ±.005	
24	11.68 ±.005	44.691 ±.005	11.52 ±.005	11.58 ±.005	11.58 ±.005	
26	11.68 ±.005	47.981 ±.005	11.52 ±.005	11.58 ±.005	11.58 ±.005	
28	11.68 ±.005	51.271 ±.005	11.52 ±.005	11.58 ±.005	11.58 ±.005	
30	11.68 ±.005	54.561 ±.005	11.52 ±.005	11.58 ±.005	11.58 ±.005	
32	11.68 ±.005	57.851 ±.005	11.52 ±.005	11.58 ±.005	11.58 ±.005	
34	11.68 ±.005	61.141 ±.005	11.52 ±.005	11.58 ±.005	11.58 ±.005	
36	11.68 ±.005	64.431 ±.005	11.52 ±.005	11.58 ±.005	11.58 ±.005	
38	11.68 ±.005	67.721 ±.005	11.52 ±.005	11.58 ±.005	11.58 ±.005	
40	11.68 ±.005	71.011 ±.005	11.52 ±.005	11.58 ±.005	11.58 ±.005	
42	11.68 ±.005	74.301 ±.005	11.52 ±.005	11.58 ±.005	11.58 ±.005	
44	11.68 ±.005	77.591 ±.005	11.52 ±.005	11.58 ±.005	11.58 ±.005	
46	11.68 ±.005	80.881 ±.005	11.52 ±.005	11.58 ±.005	11.58 ±.005	
48	11.68 ±.005	84.171 ±.005	11.52 ±.005	11.58 ±.005	11.58 ±.005	
50	11.68 ±.005	87.461 ±.005	11.52 ±.005	11.58 ±.005	11.58 ±.005	
52	11.68 ±.005	90.751 ±.005	11.52 ±.005	11.58 ±.005	11.58 ±.005	
54	11.68 ±.005	94.041 ±.005	11.52 ±.005	11.58 ±.005	11.58 ±.005	
56	11.68 ±.005	97.331 ±.005	11.52 ±.005	11.58 ±.005	11.58 ±.005	
58	11.68 ±.005	100.621 ±.005	11.52 ±.005	11.58 ±.005	11.58 ±.005	
60	11.68 ±.005	103.911 ±.005	11.52 ±.005	11.58 ±.005	11.58 ±.005	
62	11.68 ±.005	107.201 ±.005	11.52 ±.005	11.58 ±.005	11.58 ±.005	
64	11.68 ±.005	110.491 ±.005	11.52 ±.005	11.58 ±.005	11.58 ±.005	
66	11.68 ±.005	113.781 ±.005	11.52 ±.005	11.58 ±.005	11.58 ±.005	
68	11.68 ±.005	117.071 ±.005	11.52 ±.005	11.58 ±.005	11.58 ±.005	
70	11.68 ±.005	120.361 ±.005	11.52 ±.005	11.58 ±.005	11.58 ±.005	
72	11.68 ±.005	123.651 ±.005	11.52 ±.005	11.58 ±.005	11.58 ±.005	



REF.	DESCRIPTION	QTY	UNIT
1	SHROUDED WAFER, 30% G.T. POLYESTER, BAY-B, COOR. BLACK.		
2	PINS, PHOS. BRONZE, 5/16"		
3	PINS, SEE SHEET 2 FOR FINISHES.		
4	WAFER, STAINLESS STEEL SHROUDED		
5	WAFER, STAINLESS STEEL SHROUDED		
6	WAFER, STAINLESS STEEL SHROUDED		
7	WAFER, STAINLESS STEEL SHROUDED		
8	WAFER, STAINLESS STEEL SHROUDED		
9	WAFER, STAINLESS STEEL SHROUDED		
10	WAFER, STAINLESS STEEL SHROUDED		
11	WAFER, STAINLESS STEEL SHROUDED		
12	WAFER, STAINLESS STEEL SHROUDED		
13	WAFER, STAINLESS STEEL SHROUDED		
14	WAFER, STAINLESS STEEL SHROUDED		
15	WAFER, STAINLESS STEEL SHROUDED		
16	WAFER, STAINLESS STEEL SHROUDED		
17	WAFER, STAINLESS STEEL SHROUDED		
18	WAFER, STAINLESS STEEL SHROUDED		
19	WAFER, STAINLESS STEEL SHROUDED		
20	WAFER, STAINLESS STEEL SHROUDED		
21	WAFER, STAINLESS STEEL SHROUDED		
22	WAFER, STAINLESS STEEL SHROUDED		
23	WAFER, STAINLESS STEEL SHROUDED		
24	WAFER, STAINLESS STEEL SHROUDED		
25	WAFER, STAINLESS STEEL SHROUDED		
26	WAFER, STAINLESS STEEL SHROUDED		
27	WAFER, STAINLESS STEEL SHROUDED		
28	WAFER, STAINLESS STEEL SHROUDED		
29	WAFER, STAINLESS STEEL SHROUDED		
30	WAFER, STAINLESS STEEL SHROUDED		
31	WAFER, STAINLESS STEEL SHROUDED		
32	WAFER, STAINLESS STEEL SHROUDED		
33	WAFER, STAINLESS STEEL SHROUDED		
34	WAFER, STAINLESS STEEL SHROUDED		
35	WAFER, STAINLESS STEEL SHROUDED		
36	WAFER, STAINLESS STEEL SHROUDED		
37	WAFER, STAINLESS STEEL SHROUDED		
38	WAFER, STAINLESS STEEL SHROUDED		
39	WAFER, STAINLESS STEEL SHROUDED		
40	WAFER, STAINLESS STEEL SHROUDED		
41	WAFER, STAINLESS STEEL SHROUDED		
42	WAFER, STAINLESS STEEL SHROUDED		
43	WAFER, STAINLESS STEEL SHROUDED		
44	WAFER, STAINLESS STEEL SHROUDED		
45	WAFER, STAINLESS STEEL SHROUDED		
46	WAFER, STAINLESS STEEL SHROUDED		
47	WAFER, STAINLESS STEEL SHROUDED		
48	WAFER, STAINLESS STEEL SHROUDED		
49	WAFER, STAINLESS STEEL SHROUDED		
50	WAFER, STAINLESS STEEL SHROUDED		
51	WAFER, STAINLESS STEEL SHROUDED		
52	WAFER, STAINLESS STEEL SHROUDED		
53	WAFER, STAINLESS STEEL SHROUDED		
54	WAFER, STAINLESS STEEL SHROUDED		
55	WAFER, STAINLESS STEEL SHROUDED		
56	WAFER, STAINLESS STEEL SHROUDED		
57	WAFER, STAINLESS STEEL SHROUDED		
58	WAFER, STAINLESS STEEL SHROUDED		
59	WAFER, STAINLESS STEEL SHROUDED		
60	WAFER, STAINLESS STEEL SHROUDED		
61	WAFER, STAINLESS STEEL SHROUDED		
62	WAFER, STAINLESS STEEL SHROUDED		
63	WAFER, STAINLESS STEEL SHROUDED		
64	WAFER, STAINLESS STEEL SHROUDED		
65	WAFER, STAINLESS STEEL SHROUDED		
66	WAFER, STAINLESS STEEL SHROUDED		
67	WAFER, STAINLESS STEEL SHROUDED		
68	WAFER, STAINLESS STEEL SHROUDED		
69	WAFER, STAINLESS STEEL SHROUDED		
70	WAFER, STAINLESS STEEL SHROUDED		
71	WAFER, STAINLESS STEEL SHROUDED		
72	WAFER, STAINLESS STEEL SHROUDED		

- NOTES:**
- 1- 20 CIRCUIT SIZE SHOWN FOR ILLUSTRATION PURPOSES.
 - 2- PIN PUSHOUT FORCE: 11.79 N/4 LBS.
 - 3- PINS MUST MEET SOLDERABILITY SPEC. MIL-STD-202 METHOD 288B.
 - 4- WINDOW NOT AVAILABLE ON 6 AND 8 CIRCUIT SIZE.
 - 5- FOR CHARTED DIMENSIONS AND ASSEMBLY N.O.S. NOT SHOWN ON THIS SHEET - SEE SHEET 2.
 - 6- ROW TO ROW PIN HEIGHT VARIATION MUST NOT EXCEED 10.131/005 IN.
 - 7- PRODUCT CONFORMS TO PS-8123.

MATERIALS:

SHROUDED WAFER, 30% G.T. POLYESTER, BAY-B, COOR. BLACK.
PINS, PHOS. BRONZE, 5/16"
SEE SHEET 2 FOR FINISHES.

ASSEMBLY STYLE "A" AND "B"

ENGINEERING PART NUMBER A-8723	RELEASE FOR MANUFACTURE	PCT	PLATE PER (8B)	CONNECTOR END PLATING			P.C. BOARD END PLATING			PACKAGING INFORMATION			8723 PLATING
				TYPE	J LENGTH	K MEAS	TYPE	L LENGTH	M MEAS	PH 70673	PH 70673		
86A162 / 72A164	RFM	13.30	164	TIN/LEAD	(5.54)	100	TIN/LEAD	(12.71)	0.50	00.0	00.0	8723 PLATING (164) .000150 MIN. TIN/LEAD OVER .000015 MIN. NICKEL OVER .000015 MIN. GOLD PLATE IN SELECTED AREA AND .000075 MIN. TIN/LEAD IN SELECTED AREA OVER .0000250 MIN. NICKEL OVER-ALL. (157)	
86B164 / 72B164	RFM	13.30	164	TIN/LEAD	(5.54)	100	TIN/LEAD	(12.71)	0.50	00.0	00.0	(157)	
86A571 / 72A571	RFM	13.30	571	GOLD	(6.08)	100	TIN/LEAD	(2.54)	0.50	00.0	00.0	(157)	
86B571 / 72B571	RFM	13.30	571	GOLD	(6.08)	100	TIN/LEAD	(2.54)	0.50	00.0	00.0	(157)	
86A574 / 72A574	RFM	13.30	574	GOLD	(6.08)	100	TIN/LEAD	(2.54)	0.50	00.0	00.0	(596)	
86B574 / 72B574	RFM	13.30	574	GOLD	(6.08)	100	TIN/LEAD	(2.54)	0.50	00.0	00.0	(596)	
86A596 / 72A596	RFM	13.30	596	GOLD	(6.08)	100	TIN/LEAD	(2.54)	0.50	00.0	00.0	(596)	
86B596 / 72B596	RFM	13.30	596	GOLD	(6.08)	100	TIN/LEAD	(2.54)	0.50	00.0	00.0	(596)	

NO. OF ENDS	164 PLATING			571 PLATING			574 PLATING			596 PLATING			596 PLATING		
	ENG. NUMBER	ENG. NUMBER	ENG. NUMBER	ENG. NUMBER	ENG. NUMBER	ENG. NUMBER	ENG. NUMBER	ENG. NUMBER	ENG. NUMBER	ENG. NUMBER	ENG. NUMBER	ENG. NUMBER	ENG. NUMBER	ENG. NUMBER	ENG. NUMBER
66	A-8723-062164	A-8723-062164	A-8723-062164	A-8723-062164	A-8723-062164	A-8723-062164	A-8723-062164	A-8723-062164	A-8723-062164	A-8723-062164	A-8723-062164	A-8723-062164	A-8723-062164	A-8723-062164	A-8723-062164
68	A-8723-062164	A-8723-062164	A-8723-062164	A-8723-062164	A-8723-062164	A-8723-062164	A-8723-062164	A-8723-062164	A-8723-062164	A-8723-062164	A-8723-062164	A-8723-062164	A-8723-062164	A-8723-062164	A-8723-062164
70	A-8723-062164	A-8723-062164	A-8723-062164	A-8723-062164	A-8723-062164	A-8723-062164	A-8723-062164	A-8723-062164	A-8723-062164	A-8723-062164	A-8723-062164	A-8723-062164	A-8723-062164	A-8723-062164	A-8723-062164
72	A-8723-062164	A-8723-062164	A-8723-062164	A-8723-062164	A-8723-062164	A-8723-062164	A-8723-062164	A-8723-062164	A-8723-062164	A-8723-062164	A-8723-062164	A-8723-062164	A-8723-062164	A-8723-062164	A-8723-062164
74	A-8723-062164	A-8723-062164	A-8723-062164	A-8723-062164	A-8723-062164	A-8723-062164	A-8723-062164	A-8723-062164	A-8723-062164	A-8723-062164	A-8723-062164	A-8723-062164	A-8723-062164	A-8723-062164	A-8723-062164
76	A-8723-062164	A-8723-062164	A-8723-062164	A-8723-062164	A-8723-062164	A-8723-062164	A-8723-062164	A-8723-062164	A-8723-062164	A-8723-062164	A-8723-062164	A-8723-062164	A-8723-062164	A-8723-062164	A-8723-062164
78	A-8723-062164	A-8723-062164	A-8723-062164	A-8723-062164	A-8723-062164	A-8723-062164	A-8723-062164	A-8723-062164	A-8723-062164	A-8723-062164	A-8723-062164	A-8723-062164	A-8723-062164	A-8723-062164	A-8723-062164
80	A-8723-062164	A-8723-062164	A-8723-062164	A-8723-062164	A-8723-062164	A-8723-062164	A-8723-062164	A-8723-062164	A-8723-062164	A-8723-062164	A-8723-062164	A-8723-062164	A-8723-062164	A-8723-062164	A-8723-062164
82	A-8723-062164	A-8723-062164	A-8723-062164	A-8723-062164	A-8723-062164	A-8723-062164	A-8723-062164	A-8723-062164	A-8723-062164	A-8723-062164	A-8723-062164	A-8723-062164	A-8723-062164	A-8723-062164	A-8723-062164
84	A-8723-062164	A-8723-062164	A-8723-062164	A-8723-062164	A-8723-062164	A-8723-062164	A-8723-062164	A-8723-062164	A-8723-062164	A-8723-062164	A-8723-062164	A-8723-062164	A-8723-062164	A-8723-062164	A-8723-062164
86	A-8723-062164	A-8723-062164	A-8723-062164	A-8723-062164	A-8723-062164	A-8723-062164	A-8723-062164	A-8723-062164	A-8723-062164	A-8723-062164	A-8723-062164	A-8723-062164	A-8723-062164	A-8723-062164	A-8723-062164
88	A-8723-062164	A-8723-062164	A-8723-062164	A-8723-062164	A-8723-062164	A-8723-062164	A-8723-062164	A-8723-062164	A-8723-062164	A-8723-062164	A-8723-062164	A-8723-062164	A-8723-062164	A-8723-062164	A-8723-062164
90	A-8723-062164	A-8723-062164	A-8723-062164	A-8723-062164	A-8723-062164	A-8723-062164	A-8723-062164	A-8723-062164	A-8723-062164	A-8723-062164	A-8723-062164	A-8723-062164	A-8723-062164	A-8723-062164	A-8723-062164
92	A-8723-062164	A-8723-062164	A-8723-062164	A-8723-062164	A-8723-062164	A-8723-062164	A-8723-062164	A-8723-062164	A-8723-062164	A-8723-062164	A-8723-062164	A-8723-062164	A-8723-062164	A-8723-062164	A-8723-062164
94	A-8723-062164	A-8723-062164	A-8723-062164	A-8723-062164	A-8723-062164	A-8723-062164	A-8723-062164	A-8723-062164	A-8723-062164	A-8723-062164	A-8723-062164	A-8723-062164	A-8723-062164	A-8723-062164	A-8723-062164
96	A-8723-062164	A-8723-062164	A-8723-062164	A-8723-062164	A-8723-062164	A-8723-062164	A-8723-062164	A-8723-062164	A-8723-062164	A-8723-062164	A-8723-062164	A-8723-062164	A-8723-062164	A-8723-062164	A-8723-062164
98	A-8723-062164	A-8723-062164	A-8723-062164	A-8723-062164	A-8723-062164	A-8723-062164	A-8723-062164	A-8723-062164	A-8723-062164	A-8723-062164	A-8723-062164	A-8723-062164	A-8723-062164	A-8723-062164	A-8723-062164
100	A-8723-062164	A-8723-062164	A-8723-062164	A-8723-062164	A-8723-062164	A-8723-062164	A-8723-062164	A-8723-062164	A-8723-062164	A-8723-062164	A-8723-062164	A-8723-062164	A-8723-062164	A-8723-062164	A-8723-062164

DATE	10/18/00	BY	J. H. ...
TIME	11:10 AM	SCALE	AS SHOWN
DRWING NO.	8723-062164	REV.	1
REV.	1	DATE	10/18/00
REV.	2	DATE	10/18/00
REV.	3	DATE	10/18/00
REV.	4	DATE	10/18/00
REV.	5	DATE	10/18/00
REV.	6	DATE	10/18/00
REV.	7	DATE	10/18/00
REV.	8	DATE	10/18/00
REV.	9	DATE	10/18/00
REV.	10	DATE	10/18/00
REV.	11	DATE	10/18/00
REV.	12	DATE	10/18/00
REV.	13	DATE	10/18/00
REV.	14	DATE	10/18/00
REV.	15	DATE	10/18/00
REV.	16	DATE	10/18/00
REV.	17	DATE	10/18/00
REV.	18	DATE	10/18/00
REV.	19	DATE	10/18/00
REV.	20	DATE	10/18/00

SALES ASSEMBLY APPROVED
JOB GRID FOR USE 11/07/00 PINS
WITH .866 END WALLS

MAX OPERATING TEMPERATURE 2 97.07/17

DATE CHART 8723-062164

DATE CHART 8723-062164