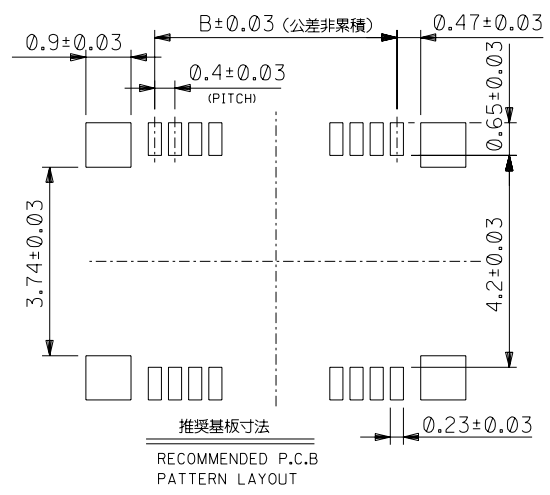
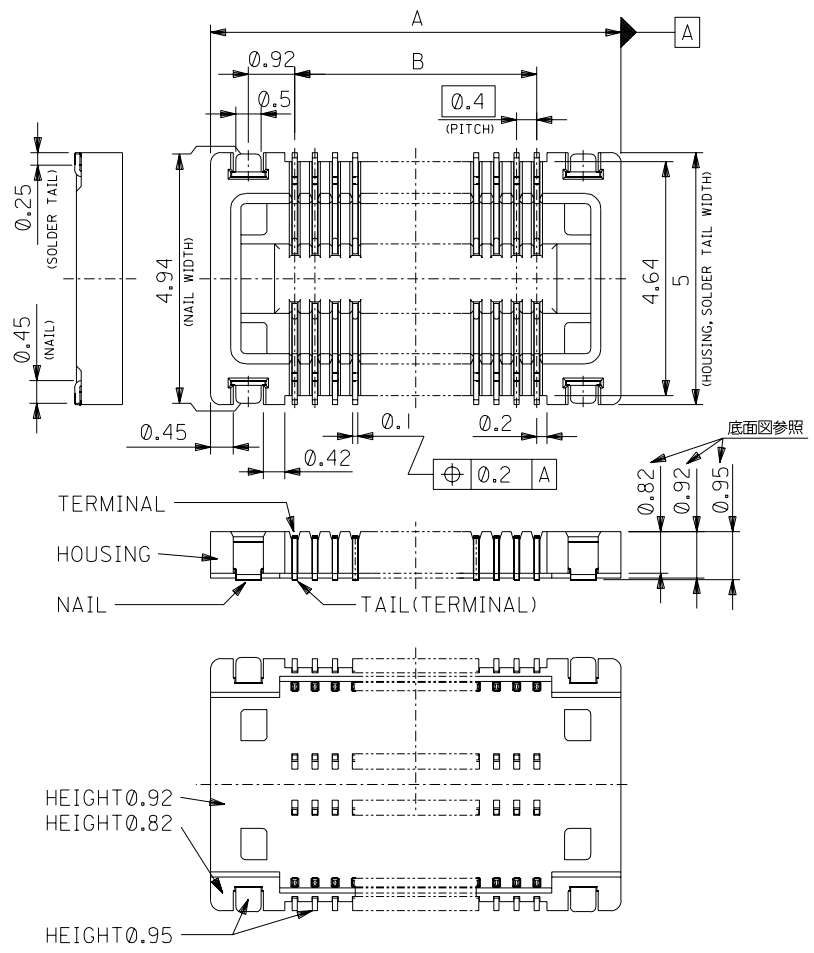


DWG. NO. SD-500024-024



注記 NOTES

- 材質 MATERIAL
ハウジング : 液晶ポリマー-UL94V-0
HOUSING : LIQUID CRYSTAL POLYMER [LCP] UL94V-0
ターミナル : 銅合金
TERMINAL : COPPER ALLOY
ネール : 銅合金
NAIL : COPPER ALLOY
- メッキ仕様 PLATING
接点部 : 金メッキ 0.1 μm MIN.
CONTACT AREA : GOLD PLATING 0.1 μm MIN.
半田付け部 : 金メッキ 0.1 μm MIN.
SOLDER TAIL AREA : GOLD PLATING 0.1 μm MIN.
下地メッキ : ニッケルメッキ 1.0 μm MIN.
UNDER PLATING : NICKEL PLATING 1.0 μm MIN.
ネール : 鍍メッキ 1.0 μm MIN.
NAIL : TIN PLATING 1.0 μm MIN.
下地メッキ : ニッケルメッキ 1.0 μm MIN.
UNDER PLATING : NICKEL PLATING 1.0 μm MIN.
- テール及びネールの平坦度は 0.1 以下
TAIL AND NAIL COPLANARITY : 0.1 MAX.
- 嵌合相手 : 500027 シリーズ
MATE WITH : 500027 SERIES

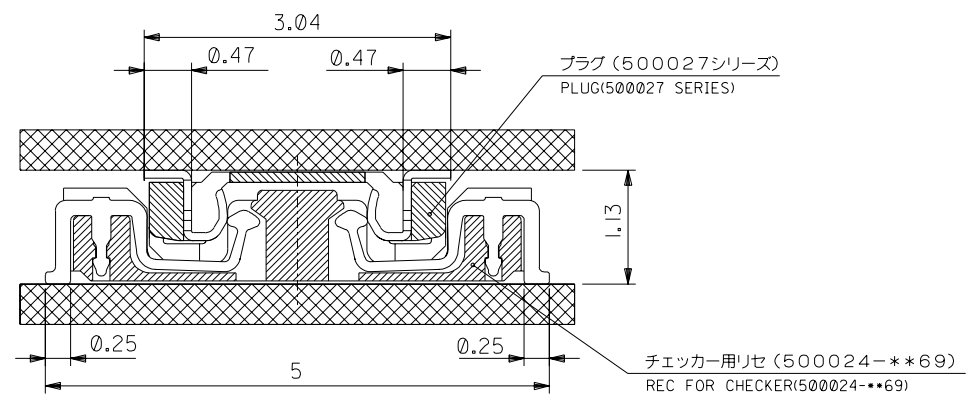
10.94	7.6	500024-4069	40
9.74	6.4	500024-3469	34
7.74	4.4	500024-2469	24
A	B	MATERIAL No.	CIRCUIT

DO NOT SCALE DRAWING

EC NO. DRWN: CHK: APPR:	EC NO. DRWN: CHK: APPR:	EC NO. DRWN: CHK: APPR:	EC NO. DRWN: CHK: APPR:	EC NO. DRWN: CHK: APPR:	REV	MATERIAL 材料	GENERAL TOLERANCES: (UNLESS SPECIFIED) 一般公差	SCALE — #	DESIGN UNITS <input checked="" type="checkbox"/> mm <input type="checkbox"/> INCH	MODEL NO. THIRD ANGLE PROJECTION	DIMENSIONS: <input type="checkbox"/> mm <input type="checkbox"/> INCH <input checked="" type="checkbox"/> mm ONLY	SHT REVISE ON CAD ONLY	REV
					0	— #	10 UNDER 未満 ±0.2	DRAWN BY & DATE T.ASAKAWA 04/06/22		TITLE: -LEAD FREE- 0.4mm PITCH B/B CONN. H=0.95mm REC. HS'G ASS'Y FOR CHECKER			
						FINISH 仕上げ	10 OVER 30 UNDER 未満 ±0.25	CHECKED BY & DATE T.HIRATA 04/06/22					
						WIRE RANGE 適用層被覆範囲	30 OVER 以上 ±0.3	APPROVED BY & DATE H. Saito 04/06/22		MOLEX MOLEX INCORPORATED			
						INS. RANGE 被覆外径	ANGLE 角度 ±3°	CAD FILENAME SD-500024-024.S01		MATERIAL NO. SEE THE CHART	DRAWING NO. SD-500024-024	SHEET NO. 1 OF 2	
THIS DRAWING CONTAINS INFORMATION THAT IS PROPRIETARY TO MOLEX INCORPORATED AND SHOULD NOT BE USED WITHOUT WRITTEN PERMISSION.												SIZE B	

SD-500024-024S01

DWG. NO.
SD-500024-024



嵌合断面図 (参考)
MATED DRAWING

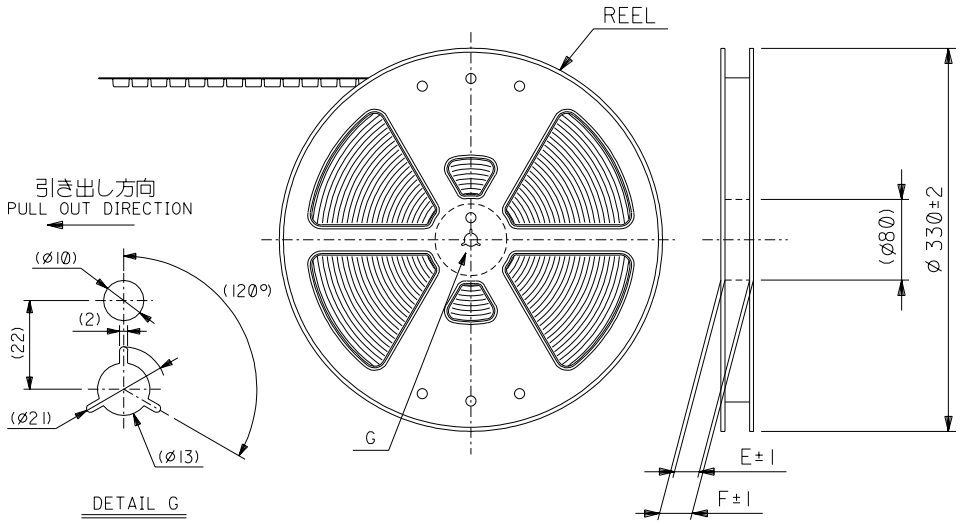
500024-**69	MODEL NO.
DIMENSIONS:	SHT REV
<input type="checkbox"/> mm <input type="checkbox"/> INCH <input checked="" type="checkbox"/> mm ONLY	REVISE ON CAD ONLY

EC NO. DRWN: CHK: APPR:	EC NO. DRWN: CHK: APPR:	EC NO. DRWN: CHK: APPR:	EC NO. DRWN: CHK: APPR:	EC NO. DRWN: CHK: APPR:	EC NO. DRWN: CHK: APPR:	SEE SHEET 1 OF 2	MATERIAL 材料	GENERAL TOLERANCES: (UNLESS SPECIFIED) 一般公差	SCALE —#	DESIGN UNITS <input checked="" type="checkbox"/> mm <input type="checkbox"/> INCH	THIRD ANGLE PROJECTION	TITLE: -LEAD FREE- 0.4mm PITCH B/B CONN. H=0.95mm REC. HS'G ASS'Y FOR CHECKER	DRAWN BY & DATE T.ASAKAWA 04/06/22	CHECKED BY & DATE T.HIRATA 04/06/22	APPROVED BY & DATE M. Saito 04/06/22	MATERIAL NO. SEE THE CHART	DRAWING NO. SD-500024-024	SHEET NO. 2
							FINISH 仕上げ	10 UNDER 未満 ±0.2										
							WIRE RANGE 適用電線範囲	10 OVER 30 UNDER 未満 ±0.25										
							INS. RANGE 被覆外径	30 OVER 以上 ±0.3										
							ANGLE 角度	±3°										

THIS DRAWING CONTAINS INFORMATION THAT IS PROPRIETARY TO MOLEX INCORPORATED AND SHOULD NOT BE USED WITHOUT WRITTEN PERMISSION.

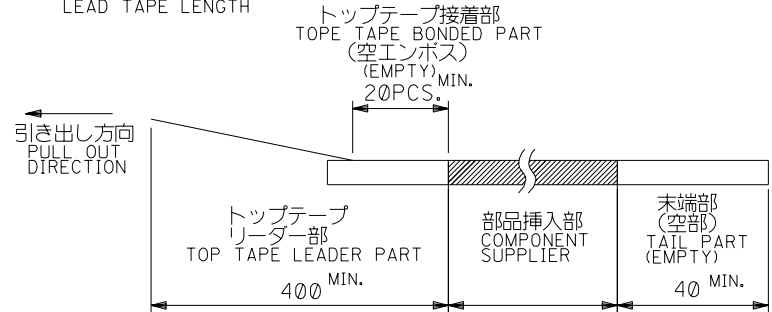
SD-500024-024S02

DWG. NO. SD-500024-025



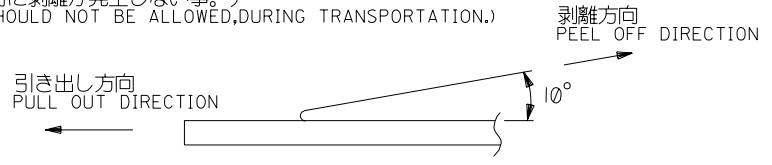
注) NOTES

- 製品番号 500024-***69 詳細寸法については、製品単体図面を参照下さい。
IN THE PACKAGE PART NUMBER 500024-***69 DETAILED DIMENSIONS, SEE SALES DRAWING FOR CONNECTOR.
- 梱包数量：2000個/リール
NUMBER OF CONNECTORS : 2000 PCS/REEL.
- リードテープ長さ
LEAD TAPE LENGTH



- トップテープの剥離強度：(剥離方向は下図参照)
PEELING OFF FORCE OF TOP TAPE (PELLING DIRECTION AS SHOWN IN FOLLOWING FIGURE.)
0. 1~1. 3N {10~130gf}

尚、本規格値は、出荷時に適用。
THIS REQUIREMENT SHOULD BE APPLIED AT SHIPMENT.
(但し、輸送時に剥離が発生しない事。)
(PEEL OFF SHOULD NOT BE ALLOWED, DURING TRANSPORTATION.)



- 材料
MATERIAL
キャリアテープ：ポリプロピレン (PP)
CARRIER TAPE: POLYPROPYLENE (PP)
トップテープ：PET, PE, PEF
TOP TAPE: PET, PE, PEF
リール：ポリスチレン
REEL : POLYSTYRENE

DO NOT SCALE DRAWING

EC NO. DRWN: CHK: APPR:	EC NO. DRWN: CHK: APPR:	EC NO. DRWN: CHK: APPR:	EC NO. DRWN: CHK: APPR:	EC NO. DRWN: CHK: APPR:	RELEASED EC NO. J2004-4809 DRWN: T. ASAKAWA '04/06/22 CHK: T. HIRATA APPR: M. SASAO
----------------------------------	----------------------------------	----------------------------------	----------------------------------	----------------------------------	---

MATERIAL 材料 注記参照 SEE NOTES	FINISH 仕上げ 注記参照 SEE NOTES	WIRE RANGE 適用電線範囲	INS. RANGE 被覆外径
		#	#

GENERAL TOLERANCES: (UNLESS SPECIFIED) 一般公差	SCALE NONE	DESIGN UNITS <input checked="" type="checkbox"/> mm <input type="checkbox"/> INCH	THIRD ANGLE PROJECTION
10 UNDER 未満	±0.2	DRAWN BY & DATE T. ASAKAWA 04/06/22	TITLE: 500024-***69 -LEAD FREE- TAPING PACKAGE
10 OVER 以上	±0.25	CHECKED BY & DATE T. HIRATA 04/06/22	MOLEX MOLEX INCORPORATED
30 OVER 以上	±0.3	APPROVED BY & DATE M. Sasao 04/06/22	
ANGLE 角度	±3°	CAD FILENAME SD-500024-025.S01	MATERIAL NO. SEE CHART

500024-***61	MODEL NO.
DIMENSIONS: <input type="checkbox"/> mm <input type="checkbox"/> INCH	SHT REV
<input type="checkbox"/> mm <input checked="" type="checkbox"/> mm ONLY	REVISE ON CAD ONLY
MATERIAL NO. SD-500024-025	
SHEET NO. 1 OF 2	

THIS DRAWING CONTAINS INFORMATION THAT IS PROPRIETARY TO MOLEX INCORPORATED AND SHOULD NOT BE USED WITHOUT WRITTEN PERMISSION.

SD-500024-025S01

