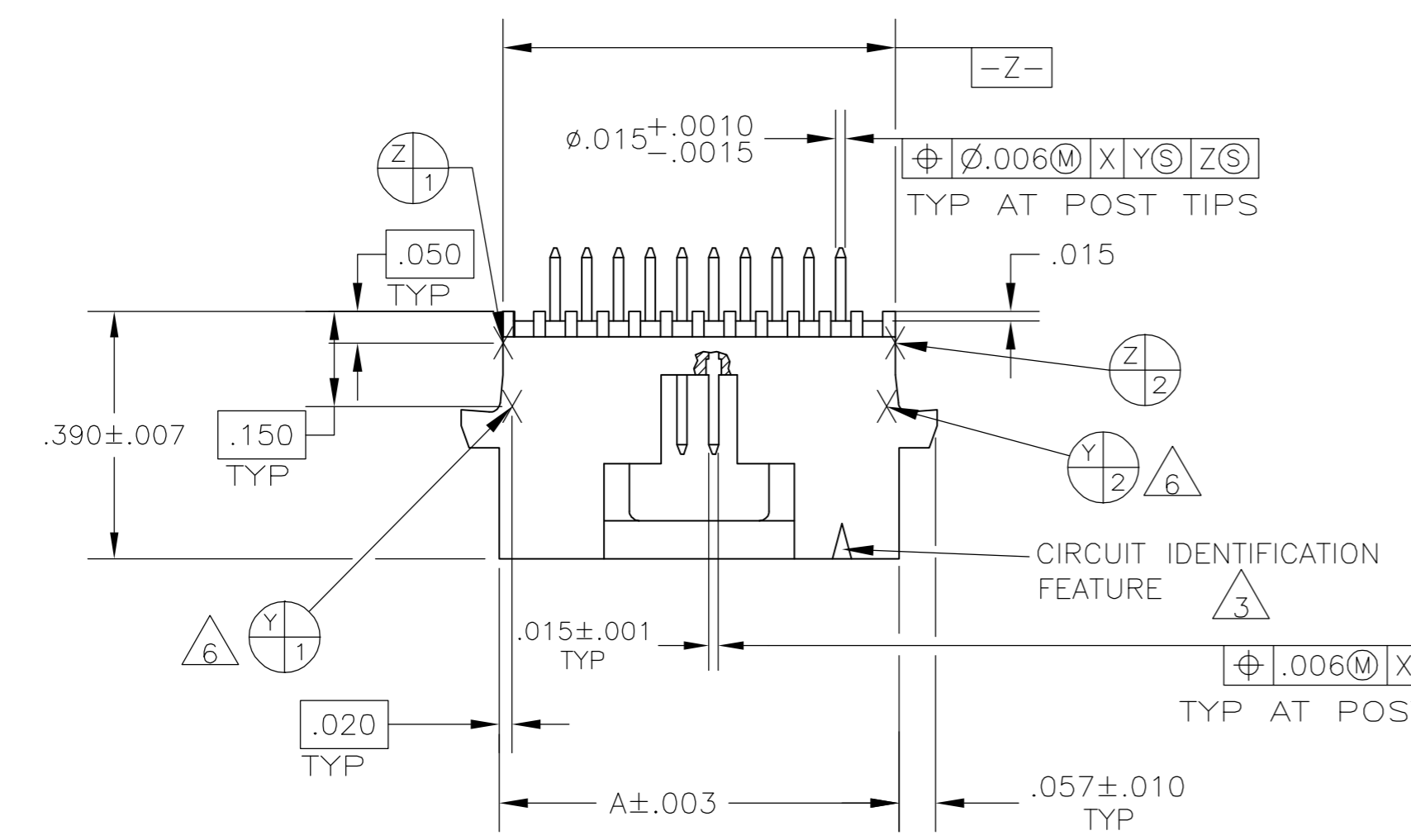
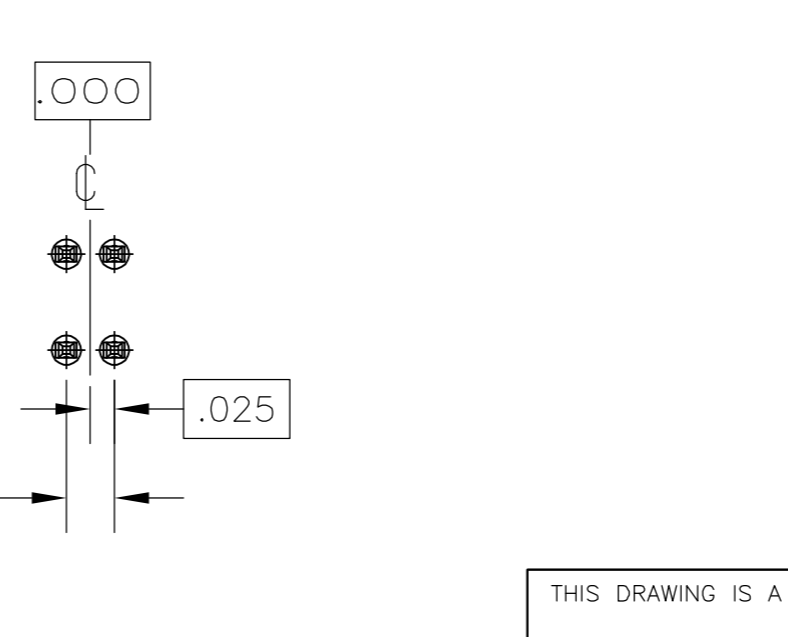
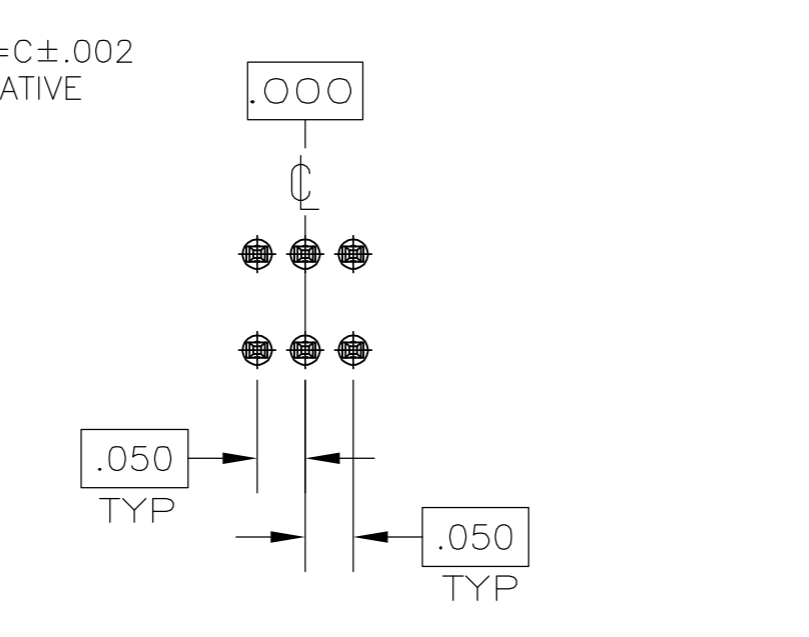
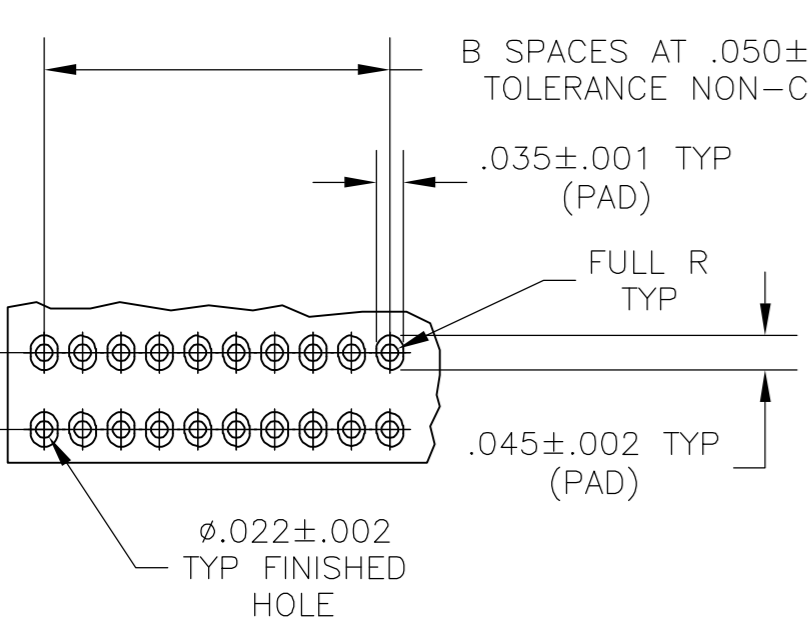
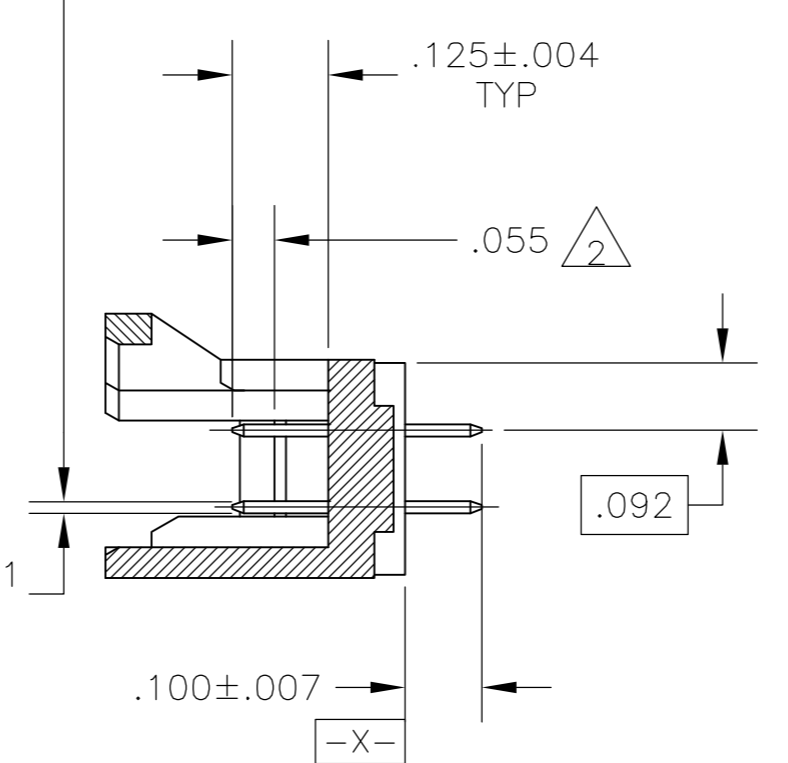
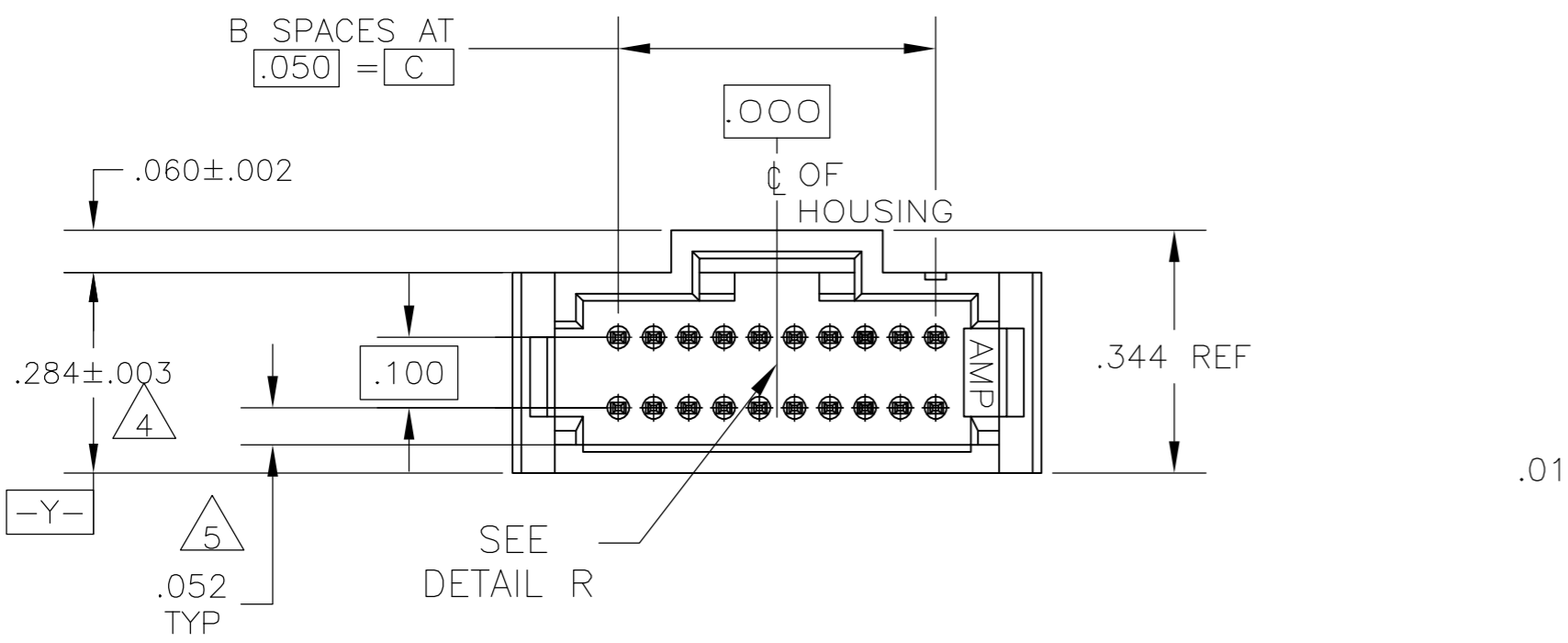


THIS DRAWING IS UNPUBLISHED. RELEASED FOR PUBLICATION
 © COPYRIGHT BY TYCO ELECTRONICS CORPORATION. ALL RIGHTS RESERVED.

LOC	DIST	REVISIONS					
		P	LTR	DESCRIPTION	DATE	DWN	APVD
AD	00	N		ECR-05-000991, ECR-05-003293	01JUN05	MB	DLS



- 1 CONTACT AREA PLATED WITH .000030 MIN GOLD; SOLDER TAILS PLATED WITH .000150 MIN TIN-LEAD, ALL OVER .000050 MIN NICKEL
- 2 POINT OF MEASUREMENT FOR PLATING THICKNESS
- 3 CIRCUIT IDENTIFICATION FEATURE OMITTED ON 8,10,12 AND 14 POSN HEADER ASSEMBLIES
- 4 DIMENSION APPLIES AT BASE OF SHROUD
- 5 THE NOTED DIMENSIONS APPLY AT THE INTERSECTION OF THE POST AND HOUSING
- 6 $\begin{matrix} Y \\ \ominus \\ 3 \end{matrix}$ $\begin{matrix} Y \\ \ominus \\ 4 \end{matrix}$ ARE LOCATED THE SAME AS $\begin{matrix} Y \\ \ominus \\ 1 \end{matrix}$ $\begin{matrix} Y \\ \ominus \\ 2 \end{matrix}$ EXCEPT ON OPPOSITE SIDE OF HOUSING.
- 7 CONTACT AREA PLATED WITH .000030 MIN. GOLD; SOLDER TAILS PLATED WITH .000150 MIN TIN; ALL OVER .000050 MIN NICKEL



FINISH	NO OF POS				PART NUMBER
	C	B	A		
PRELIMINARY	1.650	33	1.830	68	6-104068-8
	2.450	49	2.630	100	6-104068-7
	1.950	39	2.130	80	6-104068-6
	1.750	35	1.930	72	6-104068-5
	1.050	21	1.230	44	6-104068-4
	.800	16	.980	34	6-104068-3
	.600	12	.780	26	6-104068-2
	.550	11	.730	24	6-104068-1
	.350	7	.530	16	6-104068-0
	.300	6	.480	14	5-104068-9
OBSOLETE	.250	5	.430	12	5-104068-8
	.150	3	.330	8	5-104068-7
	1.450	29	1.630	60	5-104068-6
	1.200	24	1.380	50	5-104068-5
	.950	19	1.130	40	5-104068-4
	.700	14	.880	30	5-104068-3
	.200	4	.380	10	5-104068-2
	.450	9	.630	20	5-104068-1
	1.650	33	1.830	68	1-104068-8
	2.450	49	2.630	100	1-104068-7
FINISH	1.950	39	2.130	80	1-104068-6
	1.750	35	1.930	72	1-104068-5
	1.050	21	1.230	44	1-104068-4
	.800	16	.980	34	1-104068-3
	.600	12	.780	26	1-104068-2
	.550	11	.730	24	1-104068-1
	.350	7	.530	16	1-104068-0
	.300	6	.480	14	104068-9
	.250	5	.430	12	104068-8
	.150	3	.330	8	104068-7

RECOMMENDED HOLE PATTERN

BASIC DIMENSIONS FOR EVEN NO OF SPACES (SEE TABLE)

BASIC DIMENSIONS FOR ODD NO OF SPACES (SEE TABLE)

DETAIL R

THIS DRAWING IS A CONTROLLED DOCUMENT.

DIMENSIONS: INCHES	TOLERANCES UNLESS OTHERWISE SPECIFIED:	DWN: D. CLOUSER 10-3-88	Tyco Electronics Corporation Harrisburg, Pa 17105-3608																							
<table border="1"> <tr><td>0 PLC</td><td>± -</td></tr> <tr><td>1 PLC</td><td>± -</td></tr> <tr><td>2 PLC</td><td>± -</td></tr> <tr><td>3 PLC</td><td>± -</td></tr> <tr><td>4 PLC</td><td>± -</td></tr> <tr><td>ANGLES</td><td>± -</td></tr> <tr><td>FINISH</td><td>SEE TABLE</td></tr> </table>	0 PLC	± -		1 PLC	± -	2 PLC	± -	3 PLC	± -	4 PLC	± -	ANGLES	± -	FINISH	SEE TABLE	<table border="1"> <tr><td>APVD: T. ZOLA 10-3-88</td></tr> <tr><td>PRODUCT SPEC: 108-1093</td></tr> <tr><td>APPLICATION SPEC: 114-25031</td></tr> <tr><td>WEIGHT: -</td></tr> </table>	APVD: T. ZOLA 10-3-88	PRODUCT SPEC: 108-1093	APPLICATION SPEC: 114-25031	WEIGHT: -	<table border="1"> <tr><td>CHK: T. ZOLA 10-3-88</td></tr> <tr><td>NAME: T. ZOLA</td></tr> <tr><td>SIZE: A2</td></tr> <tr><td>CAGE CODE: 00779</td></tr> <tr><td>DRAWING NO: C=104068</td></tr> <tr><td>RESTRICTED TO: -</td></tr> </table>	CHK: T. ZOLA 10-3-88	NAME: T. ZOLA	SIZE: A2	CAGE CODE: 00779	DRAWING NO: C=104068
0 PLC	± -																									
1 PLC	± -																									
2 PLC	± -																									
3 PLC	± -																									
4 PLC	± -																									
ANGLES	± -																									
FINISH	SEE TABLE																									
APVD: T. ZOLA 10-3-88																										
PRODUCT SPEC: 108-1093																										
APPLICATION SPEC: 114-25031																										
WEIGHT: -																										
CHK: T. ZOLA 10-3-88																										
NAME: T. ZOLA																										
SIZE: A2																										
CAGE CODE: 00779																										
DRAWING NO: C=104068																										
RESTRICTED TO: -																										
MATERIAL: HOUSING: THERMOPLASTIC COLOR-BLACK POST: COPPER ALLOY	SCALE: 4:1	SHEET: 1 OF 1	REV: N																							