

LOW PROFILE HEADERS STRAIGHT PINS WITH RETAINER/EJECTOR LATCHES

.100" x .100" CENTERS



LR92984 E60980

PHYSICAL PROPERTIES

INSULATION MATERIAL: Glass filled thermoplastic rated UL 94V-0

COLOR: Blue

CONTACT MATERIAL: Phosphor bronze with 30µ inches min. gold over 50µ inches min. nickel in contact zone; tin/lead over nickel in termination area.

ELECTRICAL PROPERTIES

CURRENT RATING: 1 Amp

INSULATION RESISTANCE: >1 x 10⁹ Ohms @ 500 VDC

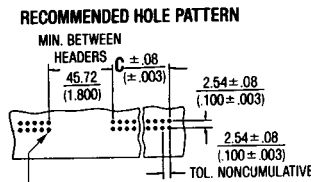
DIELECTRIC STRENGTH: >1000 VRMS @ sea level

ENVIRONMENTAL PROPERTIES

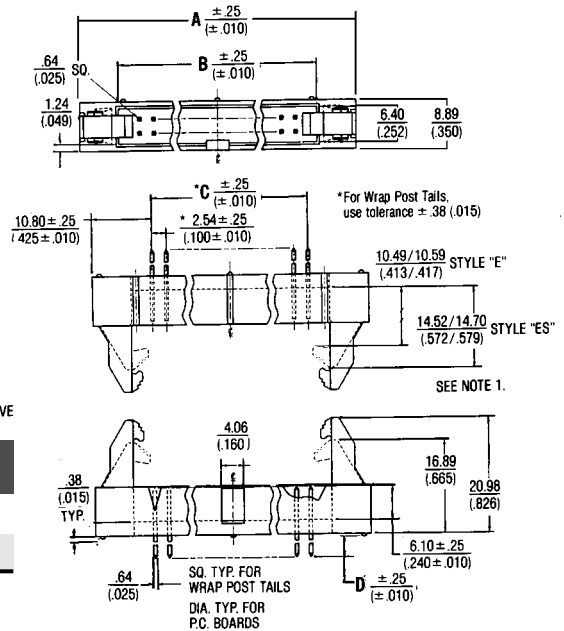
TEMPERATURE RATING: -55°C TO 125°C

MATING CONNECTORS

FEMALE SOCKETS: See pages 9-12



| HOLE DIA. ±.08 (±.003) AFTER PLATING | TYPE OF CONTACT |
|---|------------------|
| .89 (.035) | PCB Solder Tails |
| 1.14 (.045) | Wrap Post Tails |



Ordering Information

| CATALOG NUMBERS | | | NO. OF POS. | DIMENSIONS IN MM (INCHES) | | |
|---|---|------------------------------------|-------------|---------------------------|---------------|---------------|
| DIMENSIONS "D" IN MM (INCHES) | | | | A | B | C |
| 2.59 (.102) FOR 1.57 (.062) P.C. BOARDS | 4.19 (.165) FOR 3.18 (.125) P.C. BOARDS | 15.49 (.610) WRAP POST TAILS | | | | |
| 609-0827XX | 609-0837XX | 609-0857XX | 8 | 29.21 (1.150) | 15.24 (.600) | 7.26 (.300) |
| 609-1027XX | 609-1037XX | 609-1057XX | 10 | 31.75 (1.250) | 17.78 (.700) | 10.16 (.400) |
| 609-1227XX | 609-1237XX | 609-1257XX | 12 | 34.29 (1.350) | 20.32 (.800) | 17.70 (.500) |
| 609-1427XX | 609-1437XX | 609-1457XX | 14 | 36.83 (1.450) | 22.86 (.900) | 15.24 (.600) |
| 609-1627XX | 609-1637XX | 609-1657XX | 16 | 39.37 (1.550) | 25.40 (1.000) | 17.78 (.700) |
| 609-2027XX | 609-2037XX | 609-2057XX | 20 | 44.45 (1.750) | 30.48 (1.200) | 22.86 (.900) |
| 609-2427XX | 609-2437XX | 609-2457XX | 24 | 49.53 (1.950) | 35.55 (1.400) | 27.94 (1.100) |
| 609-2627XX | 609-2637XX | 609-2657XX | 26 | 52.07 (2.050) | 38.10 (1.500) | 30.48 (1.200) |
| 609-3027XX | 609-3037XX | 609-3057XX | 30 | 57.15 (2.250) | 43.18 (1.700) | 35.56 (1.400) |
| 609-3427XX | 609-3437XX | 609-3457XX | 34 | 62.23 (2.450) | 48.26 (1.900) | 40.64 (1.600) |
| 609-3627XX | 609-3637XX | 609-3657XX | 36 | 64.77 (2.550) | 50.80 (2.000) | 43.18 (1.700) |
| 609-4027XX | 609-4037XX | 609-4057XX | 40 | 69.85 (2.750) | 55.88 (2.200) | 48.26 (1.900) |
| 609-4427XX | 609-4437XX | 609-4457XX | 44 | 74.93 (2.950) | 60.96 (2.400) | 53.34 (2.100) |
| 609-5027XX | 609-5037XX | 609-5057XX | 50 | 82.55 (3.250) | 68.58 (2.700) | 60.96 (2.400) |
| 609-5627XX | 609-5637XX | 609-5657XX | 56 | 90.17 (3.550) | 76.20 (3.000) | 68.58 (2.700) |
| 609-6027XX | 609-6037XX | 609-6057XX | 60 | 95.25 (3.750) | 81.28 (3.200) | 73.66 (2.900) |
| 609-6427XX | 609-6437XX | 609-6457XX | 64 | 100.33 (3.950) | 86.36 (3.400) | 78.74 (3.100) |



1. For long ejectors, add suffix ES (-XXXES). For short ejectors, add suffix E (-XXXE)
2. Add "R" to part number for PCB retention feature.