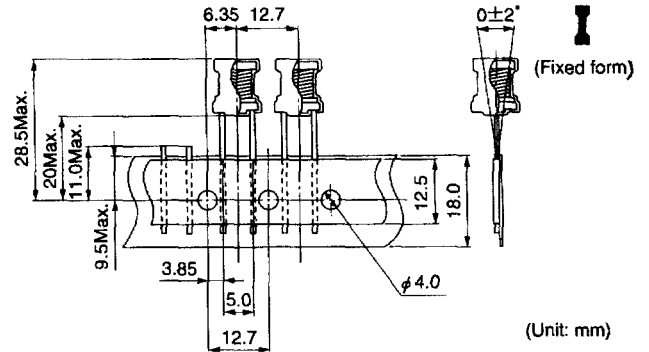
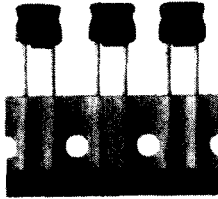


TYPE 8RHTL

Frequency Range: 10-200kHz
Inductance Range: 1.0-680μH
Temperature Coefficient: 400ppm/°C, max.



Features

- Ideal as a choke coil and a trap coil for low profile equipment.
- Winding core is encapsulated in heat shrunk plastic housing, providing mechanical and environmental protection.

STANDARD PARTS SELECTION GUIDE

- (1) Inductance is measured with a LCD meter 4284A (HP) or equivalent.
- (2) Maximum allowable DC current is that which causes a 10% inductance reduction from the initial value, or coil temperature to rise by 20°C, whichever is smaller. (Reference ambient temperature 20°C)
- (3) Self-resonant frequency is measured with a network analyzer model 3577(HP), MS560J(Anritsu), or equivalent.
- (4) DC resistance is measured with a digital multimeter TR6871 (Advantest) or equivalent.
- (5) Self-resonant frequency is for Reference Only.

TYPE 8RHTL Low Profile					
TOKO Part Number	Inductance ⁽¹⁾ (μH)	Test Frequency L (kHz)	DC Resistance (Ω) max. ⁽⁴⁾	Rated DC Current ⁽²⁾ (A) max.	Self Resonant Frequency ⁽³⁾ (MHz) min.
A849LY-1R0M=R	1.0±20%	1	0.013	3.3	170
A849LY-1R5M=R	1.5±20%	1	0.016	2.7	105
A849LY-2R2M=R	2.2±20%	1	0.020	2.4	65
A849LY-3R3M=R	3.3±20%	1	0.024	2.1	35
A849LY-4R7M=R	4.7±20%	1	0.027	2.0	31
A849LY-6R8M=R	6.8±20%	1	0.036	1.7	24
A849LY-100K=R	10.0±10%	1	0.046	1.4	21
A849LY-120K=R	12.0±10%	1	0.076	1.1	17
A849LY-150K=R	15.0±10%	1	0.087	1.0	16
A849LY-180K=R	18.0±10%	1	0.097	0.96	15
A849LY-220K=R	22.0±10%	1	0.11	0.90	12
A849LY-270K=R	27.0±10%	1	0.13	0.82	11
A849LY-330K=R	33.0±10%	1	0.15	0.78	10
A849LY-390K=R	39.0±10%	1	0.17	0.76	9.5
A849LY-470K=R	47.0±10%	1	0.25	0.70	8.0
A849LY-560K=R	56.0±10%	1	0.29	0.60	7.5
A849LY-680K=R	68.0±10%	1	0.32	0.54	7.0
A849LY-820K=R	82.0±10%	1	0.37	0.52	6.4
A849LY-101K=R	100.0±10%	1	0.43	0.51	6.1
A849LY-121K=R	120.0±10%	1	0.49	0.47	5.7
A849LY-151K=R	150.0±10%	1	0.66	0.39	4.6
A849LY-181K=R	180.0±10%	1	0.76	0.37	4.4
A849LY-221K=R	220.0±10%	1	1.0	0.31	4.2
A849LY-271K=R	270.0±10%	1	1.2	0.29	3.9
A849LY-331K=R	330.0±10%	1	1.5	0.25	2.9
A849LY-391K=R	390.0±10%	1	1.7	0.23	2.8
A849LY-471K=R	470.0±10%	1	1.9	0.20	2.6
A849LY-561K=R	560.0±10%	1	2.6	0.18	2.4
A849LY-681K=R	680.0±10%	1	3.0	0.17	2.2