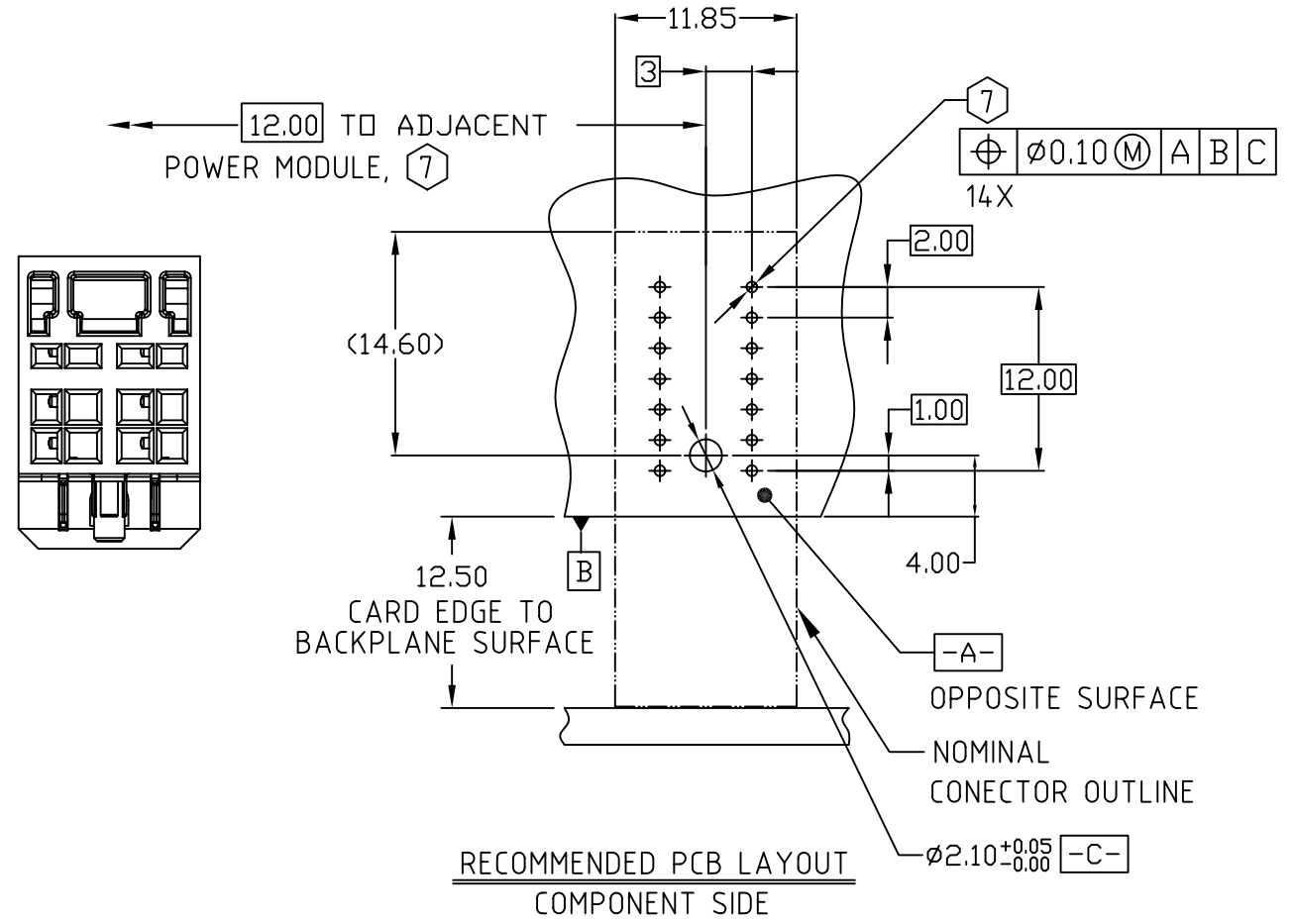
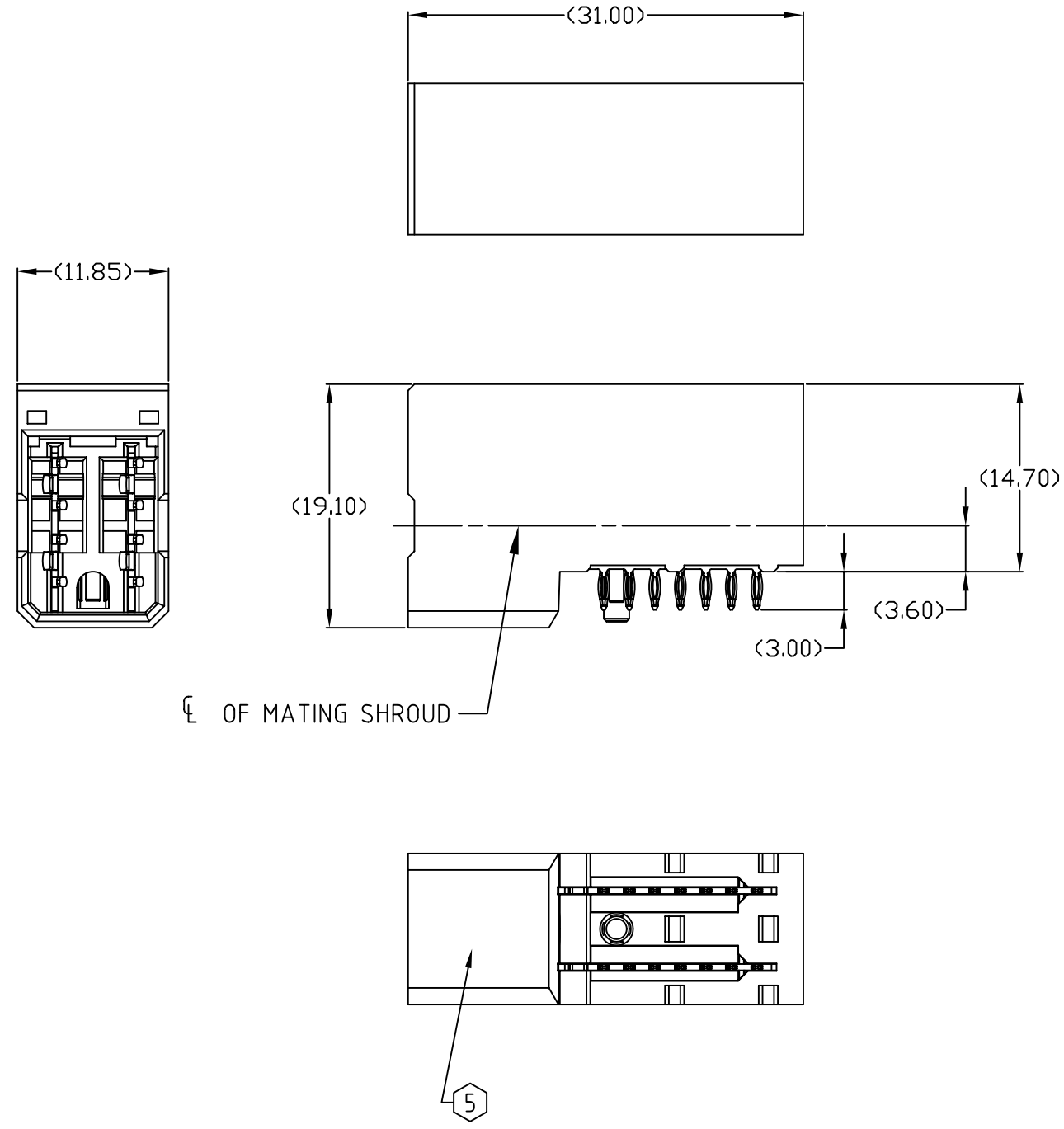


| REV | SCR NO.           | DESCRIPTION      | BY     | DATE     | APPROVED  |
|-----|-------------------|------------------|--------|----------|-----------|
| -   | KLEC-6XWTSX.VER01 | NEW RELEASE      | HCL-AP | 01/30/07 | K.LEBLANC |
| A   | KLEC-73BSCW.VER01 | MODIFIED TABLE 1 | HCL-GM | 05/22/07 | K.LEBLANC |
| B   | KLEC-75FJ5Y.VER02 | REMOVED TABLE 1  | HCL-RB | 08/03/07 | K.LEBLANC |



| TOLERANCES   | DWN             | CHK                | APVD               |
|--------------|-----------------|--------------------|--------------------|
| .00 ± 0.2    | 01/30/07 HCL-AP | 01/30/07 K.LEBLANC | 01/30/07 K.LEBLANC |
| .000 ± 0.1   |                 |                    |                    |
| .0000 ± 0.05 |                 |                    |                    |
| ANGLES ± 2°  |                 |                    |                    |

UNLESS OTHERWISE SPECIFIED DIMENSIONS ARE IN MILLIMETERS

**Amphenol TCS**  
 A Division of Amphenol Corporation  
 44 Simon Street, Nashua, N.H. 03060 (603) 879-3000

TITLE  
 AIRMAX VS RA HEADER ASSY  
 POWER,PRESS-FIT,1X2 PDS,12MM

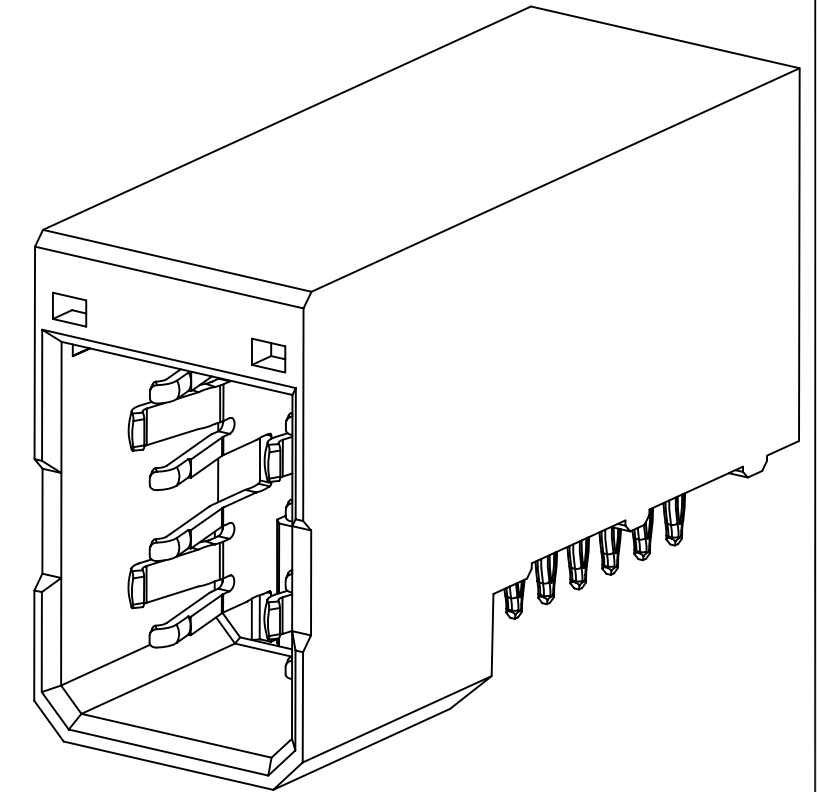
INTERPRET PER ANSI Y14.5  
 CODE IDENT 31413

CUSTOMER USE  
 DRAWING

|                             |           |
|-----------------------------|-----------|
| PART NO.<br>AA612-01000     | REV<br>A  |
| DRAWING NO.<br>CAA612-01000 | REV<br>B  |
| SIZE B                      | SCALE 2:1 |
| SHEET 1 OF 2                |           |

DWG NO. CAA612-01000 SH 1 REV B

| REV | SCR NO. | DESCRIPTION | BY | DATE | APPROVED |
|-----|---------|-------------|----|------|----------|
|     |         | SEE SHEET 1 |    |      |          |



NOTES:

- 1 CONTACT MATERIALS:  
HOUSING: HIGH TEMPERATURE THERMOPLASTIC, BLACK, UL 94V-0  
CONTACT: HIGH PERFORMANCE COPPER ALLOY
- 2 CONTACT PLATING:  
PRESS-FIT TAIL: 0.5 - 2.0µm PURE TIN OVER NICKEL  
SEPARABLE INTERFACE: 0.76µm MIN GOLD OVER NICKEL
- 3 PRODUCT SPECIFICATION: TB-2162
- 4 APPLICATION SPECIFICATION: TB-2163
- ⑤ PRODUCT MARKING, (PART NUMBER & LOT CODE) ON THIS SURFACE
- 6 MINIMUM NOMINAL PCB THICKNESS: 1.6mm
- ⑦ REFER TO CUSTOMER DRAWING CAA-PCB-5000 FOR INFORMATION REGARDING PCB LAYOUT, DRILL, AND FINISH DIAMETERS OF POWER AND GUIDE MODULES RELATIVE TO SIGNAL MODULES.

|   |        |                            |   |
|---|--------|----------------------------|---|
| TOLERANCES  |        | DWN 01/30/07<br>HCL-AP     | <b>Amphenol TCS</b><br>A Division of Amphenol Corporation<br>44 Simon Street, Nashua, N.H. 03060 (603) 879-3000 |
| .00   | ± 0.2  | CHK 01/30/07<br>K.LEBLANC  |   |
| .000  | ± 0.1  | APVD 01/30/07<br>K.LEBLANC |   |
| .0000   | ± 0.05 |                            |   |
| ANGLES  | ± 2°   |                            |   |
| UNLESS OTHERWISE SPECIFIED<br>DIMENSIONS ARE IN MILLIMETERS |        |                            | TITLE<br>AIRMAX VS RA HEADER ASSY<br>POWER,PRESS-FIT,1X2 POS,12MM   |

|                              |
|------------------------------|
| <br>INTERPRET PER ANSI Y14.5 |
| CODE IDENT 31413             |

|                         |           |                             |          |
|-------------------------|-----------|-----------------------------|----------|
| CUSTOMER USE<br>DRAWING |           | PART NO.<br>AA612-01000     | REV<br>A |
|                         |           | DRAWING NO.<br>CAA612-01000 | REV<br>B |
| SIZE B                  | SCALE 2:1 | SHEET 2 OF 2                |          |

DWG NO. CAA612-01000  
 SH 2  
 REV B