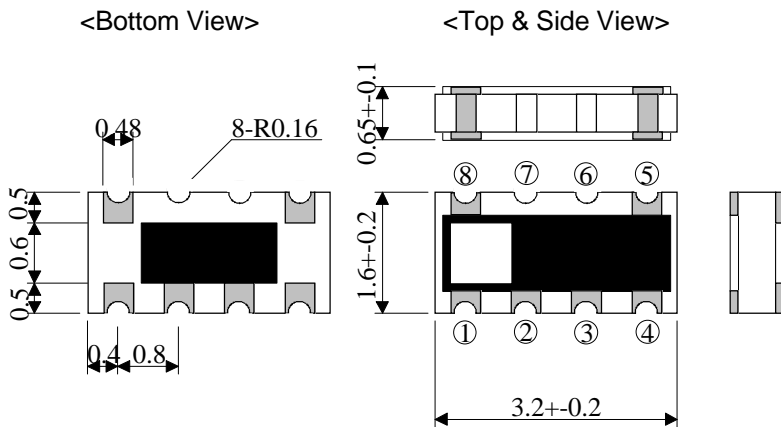


EHF FD1550, FD1735, FD1745
EHF FD1555, FD1736, FD1746
Directional Coupler

[Dimensions] unit : mm

[Pin Assignment]



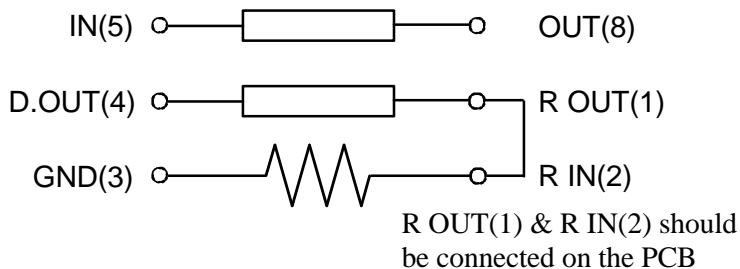
No.	
1	R OUT
2	R IN
3	GND
4	D. OUT
5	IN
6	NU
7	NU
8	OUT

NU : None Use Terminal

[Characteristics] $T_a=25^{\circ}\text{C}$

No.	Item	Specification					
		FD1550	FD1735	FD1745	FD1555	FD1736	FD1746
1	Frequency (MHz)	1850- 1950	1850- 1950	1400- 1600	800- 1000	800- 1000	800- 1000
2	Insertion Loss (OUT) dB	0.25 max	0.35 max	0.30 max	0.20 max	0.35 max	0.25 max
3	Coupling (D. OUT) dB	20+1	14+1	17+2	20+2	14+2	17+2
4	Isolation (dB)	26 min	20 min	23 min	28 min	20 min	25 min
5	V.S.W.R.	1.3 max	1.3 max	1.3 max	1.3 max	1.3 max	1.3 max
6	Input Power (W)	3 max	1.5 max	2 max	3 max	1.5 max	3 max

[Equivalent Circuit]



[Recommended Land Size]

unit : mm

