

Amphenol

HMFM Series Hermaphroditic Fibre Optic Connector



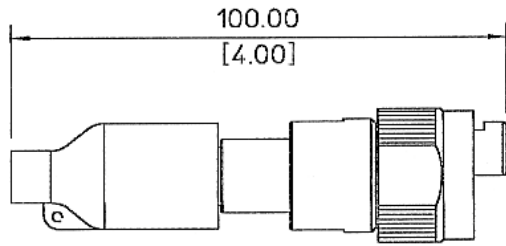
The hermaphroditic duplex MFM connection system has been designed specifically to facilitate the interconnection of fibre optic cable assemblies, thus eliminating the need for polarising the assemblies and the use of in-line adapters

- Fully hermaphroditic product
- Active receptacle option
- Butt joint PC ferrule technology
- Simple termination of sub-assembly due to one piece construction
- Durability >1500 matings
- Shell machined from non corrosive Nickel Aluminium Bronze
- Both shells and ferrules are keyed for optimum repeatability
- Epoxy/polish termination procedure

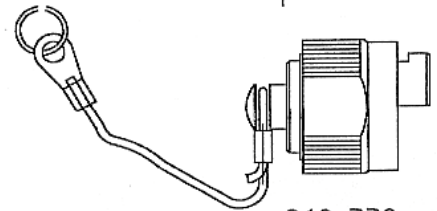
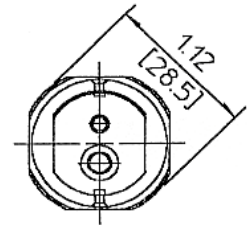
Amphenol

Technical Information

HERMAPHRODITIC PLUG ASSEMBLY

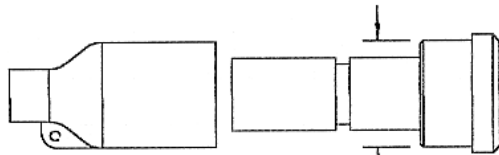


HMFM-062RB-XXX

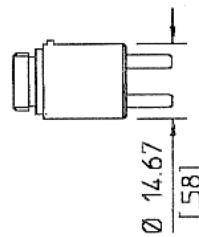


960-330
DUST CAP

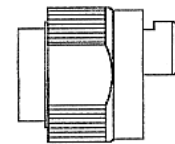
TERMINATION SUB ASSEMBLY



HMFM-49-06-XXX

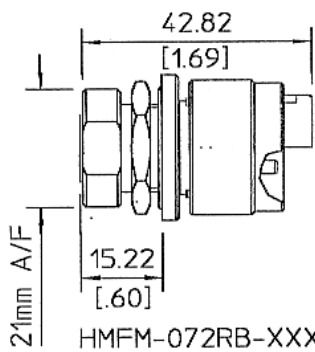


CONNECTOR SUB ASSEMBLY

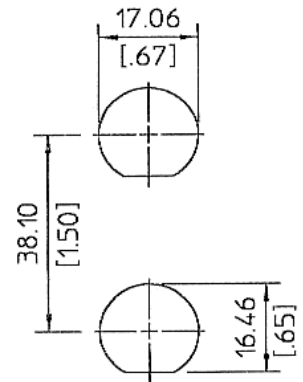
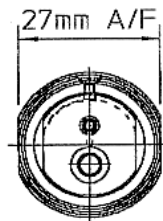


HMFM-062RB

HERMAPHRODITIC JAM NUT ASSEMBLY

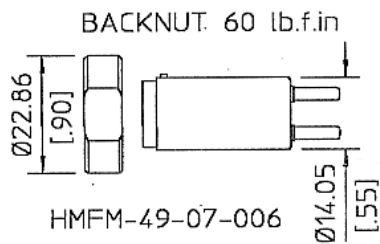


HMFM-072RB-XXX



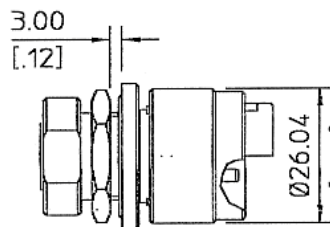
21mm A/F

MAX PANEL THICKNESS



HMFM-49-07-006

TERMINATION SUB ASSEMBLY



HMFM-072RB-B

CONNECTOR SUB ASSEMBLY

BACKNUT: 60 lb.f.in

Performance

Optical	
Insertion Loss	Typically 0.3dB using 62.5/125 cable
Repeatability	<0.15dB
Fibre Types	50/125 62.5/125
	100/140 200/280
Termination Method	Epoxy / Polish

Environmental	
Temperature Range	-55°C / +85°C cable dependent

Mechanical	
Durability	>1500 matings
Materials	Shell : Nickel Aluminium Bronze
	Ferrule : Zirconia
	Alignment Sleeve : Ceramic
	Seals : Silicone

Termination Tooling	
Basic Kit	927 – 100 – 3000
HMFMM Add On	927 – 100 – 3200
Consumable Pack	927 – 100 – 6000 Approximately 50 terminations
Cleaning Kit	927 – 100 - 4600

Other items of tooling may be purchased separately. Please contact factory for details.

Part Number Information

Series	HMFM	—	XXX	—	RB	—	XXX
Plug	062						
Jam Nut	072						
Nickel Aluminium Bronze							
Cable Variant	011						Single ruggedised 3mm Ø/D Multimode (Receptacle only)
(Other cable options available on request)	012						Active device available for Jam Nut Receptacle
	014						Duplex 5.5mm Ø/D Multimode

Sub Assemblies

Series	MFM	—	49	—	XX	—	XX	—	XXX
Sub Assembly									
Plug	06								
Jam Nut	07								
Nickel Aluminium Bronze	RB								
Olive Drab Cadmium	RW								
Cable Variant	011								Single ruggedised 3mm Ø/D Multimode (Receptacle only)
(Other cable options available on request)	012								Active device available for Jam Nut Receptacle
	014								Duplex 5.5mm Ø/D Multimode

Series	HMFM	—	XXX	—	RB
Shell	062				
Jam Nut	072				
Nickel Aluminium Bronze					

Dust Caps 960 - 330

For further information on cables, connectors and assemblies, please consult your local office. Product specifications and performance characteristics are typical only and subject to change.

Notice: Products are sold subject to Amphenol's conditions of sale ("the standard conditions"). All specifications and statements contained herein are believed to be correct at the time of printing but no representation or warranty, express or implied, is given as to any specification or statement contained herein. Product specifications including performance characteristics are typical only and subject to deviation. Specifications are also subject to change without notice. Users should not assume that all safety measures are indicated or that other measures may not be required. No representation or warranty, express or implied, is given that any use of products (including any stated or suggested use) does not infringe any patent, registered design or other third party rights and no stated or suggested use of products can be taken to recommend any such infringement.