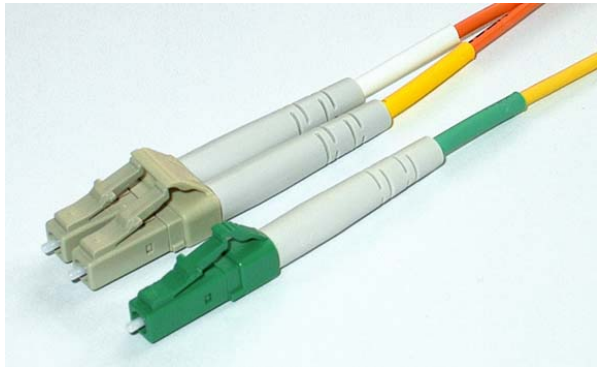


LC Patchcord

Description:

The innovative LC design offers a form factor one-half the size of current industry standards, and simple features create a new definition of user-friendliness.

The LC connector is manufactured to meet EIA/TIA 568A, FOCIS 10, IEC 61754-20 and IEC 11801 specifications for optical performance and intermateability. The LC Duplex fits into the RJ-45 standard cutout and uses the smallest diameter cable jacket in the industry.



Features:

- one-half the size of current industry standards
- increases panel density – provides duplex connection in 50% less space
- duplex fits RJ-45 footprint
- available in SM, MM versions with Super, Ultra and Angle (APC) polishing
- user-friendly audible latch to indicate proper mating
- simplex and duplex version available
- pull – proof 1.7 mm simplex mini-cord, 1.8 x 3.6 mm duplex minizip cable

Specifications:

Insertion loss (IL)	typ: 0.10 dB
Return loss (RL)	>60 dB for jumpers up to 3 m
Strain relief	90 N
Operating temperature	-40°C to +80°C
Durability	min 1000 cycles
Assembly procedure	glue and polish
Connection	physical contact
Lock mechanism	snap-on
Standards	ISO/IEC 11801, TIA 568A, IEC 61754-20, CENELEC
Ferrule material	full ceramic zirconia
Connector material	thermoplastic
Adapter material	polymer composite, zirconia sleeve

Application:

- Telecom
- LAN, WAN
- CATV
- Sensor systems
- Measuring Technique
- Utilities
- Railways

Ordering code:

AAA (D) - XX XX - X - XXX

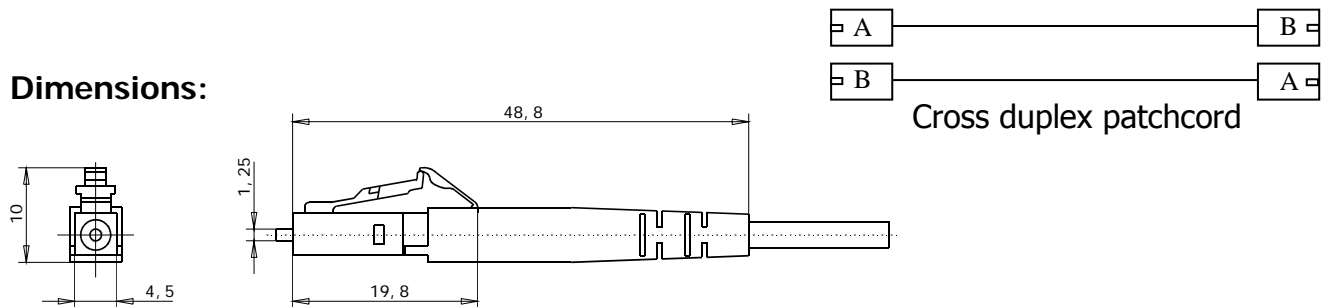
AAA		XXX - length [m]			
Connector Type	Connector Description				
LC	LC/PC	X - type (pigtail or jumper) J jumper P pigtail			
SLC	LC/SPC				
ULC	LC/UPC				
ULC1	LC/UPC Premium Class 1				
NLC	LC/APC				
NLC1	LC/APC Premium Class 1				
NLC2	LC/APC Premium Class 2				
(D)*	duplex connector	XX - diameter of fibre, cable fibre 09 fibre Ø 0.9 mm simplex cable 17 cable Ø 1.7 mm 20 cable Ø 2.0 mm duplex cable D1 duplex minizip 1.8 x 3.5 mm D3 duplex zipcord 2.0 x 4.2 mm			
				XX - type of fibre M5 MM 50/125 µm M6 MM 62.5/125 µm SM SM 9/125 µm (G.652) DS dispersion shifted TW TrueWave RS TrueWave - RS TL TeraLight LE Leaf	

Premium Class 1 IL ≤ 0.10 dB
 Premium Class 2 IL ≤ 0.25 dB

*) Note:

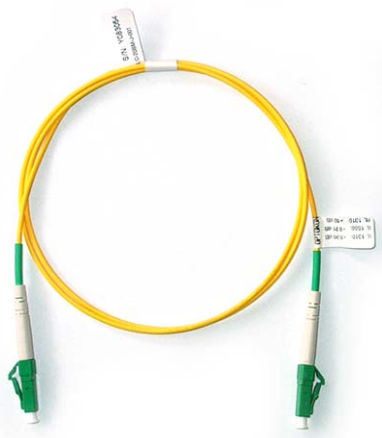
1. LC D duplex patchcord with duplex connector
2. 2 x LC duplex patchcord with 2 single connectors

Dimensions:



Samples:

NLC-20 SM-J-001



SC D-LC D-D1 M5-J-003



LC® is trademark of Lucent Technologies, Inc.