

BOARD-TO-CABLE MALE CONNECTOR (ANTI-EMI, WITH LOCK)

Dip Type Male Connector for Board

Ordering Information

PCR-E()MD

① ② ③

① Series Prefix

② Number of Contacts: 20, 28, 36, 50, 68, 96

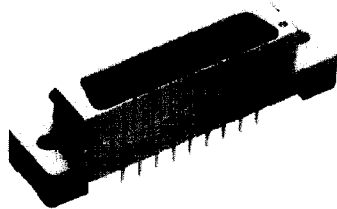
③ Shape of Connector Terminal

MD : Straight dip type male

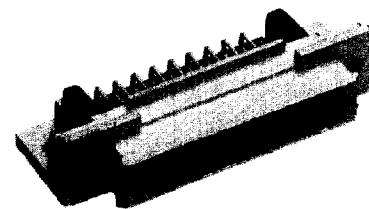
LMD : Right angle dip type male

LMDA : Right angle dip type male

NOTE: The only difference between LMD and LMDA is the size of E and F in the table below.



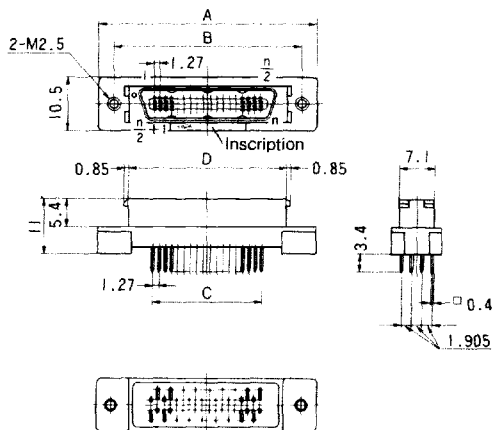
PCR-E36MD



PCR-E36LMD

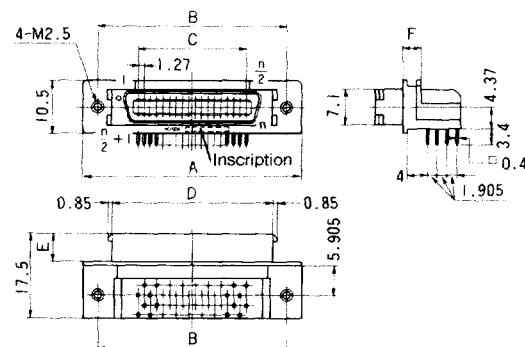
For the board mounting hole size and mounting size, please refer to pages 4 and 5.

Straight Dip Type Male Connector PCR-E()MD



Part No.	A	B	C	D
20	33.40	27.40	11.43	21.60
28	38.48	32.48	16.51	26.68
36	43.56	37.56	21.59	31.76
50	52.45	46.45	30.48	40.65
68	63.88	57.88	41.91	52.08
96	81.66	75.66	59.69	69.86

Right Angle Dip Type Male Connector PCR-E()LMD/PCR-E()LMDA



Part No.	A	B	C	D
20	33.40	27.40	11.43	21.60
28	38.48	32.48	16.51	26.68
36	43.56	37.56	21.59	31.76
50	52.45	46.45	30.48	40.65
68	63.88	57.88	41.91	52.08
96	81.66	75.66	59.69	69.86

Part No.	E	F
PCR-E()LMD	5.4	4.1
PCR-E()LMDA	5.9	3.6

IDC Type Panel Mounting Male Connector for Cable

Ordering Information

PCR-E()PM

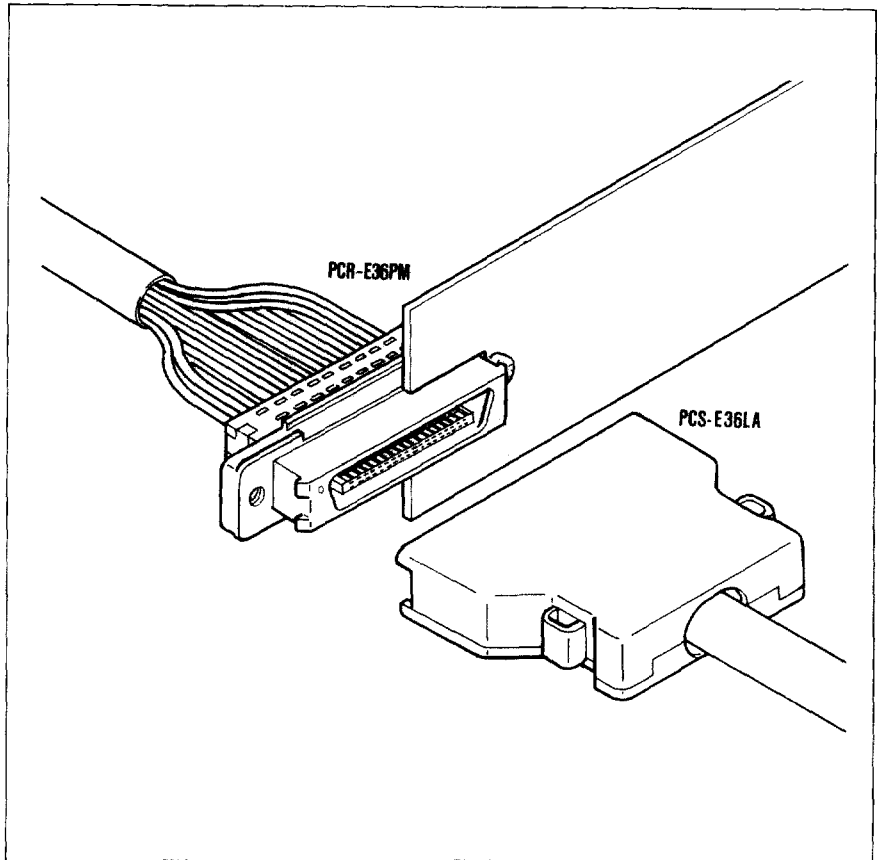
① ② ③

① Series Prefix

② Number of Contacts: 20, 28, 36, 50, 68, 96

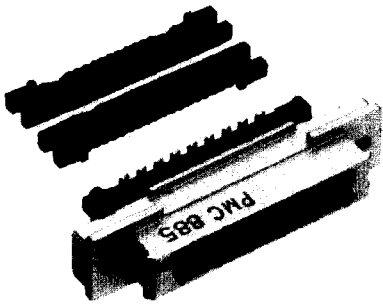
③ Compatible Wire Size

- PM : #28AWG(7/0.127)
#30AWG(1/0.254)
Outside housing dia. 0.8 to 1.0 mm, IDC for discrete wire
- PMA : #28AWG(7/0.127)
#30AWG(1/0.254)
Outside housing dia. 0.5 to 0.65 mm, IDC for discrete wire
- PMB : #30AWG(7/0.1)
Outside housing dia. 0.5 to 0.65 mm, IDC for discrete wire
- PMC : #28AWG(7/0.127)
IDC for cohesion type cable
- PMD : #30AWG(7/0.1)
IDC for cohesion type cable

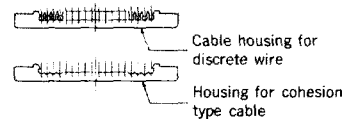
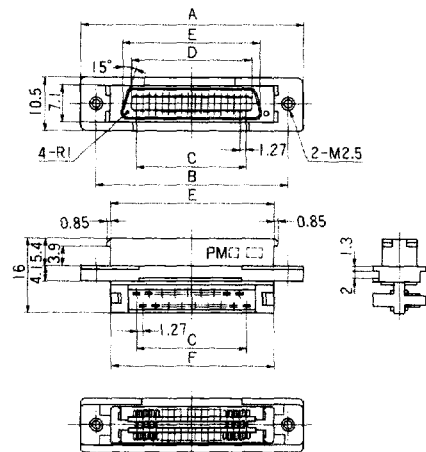


For the panel mounting hole size, please refer to page 5.

IDC Type Panel Mounting Male Connector PCR-E()PM()



PCR-E36PM



	PM	A	B	C	D	E	F	G
20	PCR-E20PM()	33.40	27.40	11.43	13.20	21.60	21.65	23.8
28	PCR-E28PM()	38.48	32.48	16.51	18.28	26.68	26.7	28.9
36	PCR-E36PM()	43.56	37.56	21.59	23.36	31.76	31.8	34.0
50	PCR-E50PM()	52.45	46.45	30.48	32.25	40.65	40.7	42.9
68	PCR-E68PM()	63.88	57.88	41.91	43.68	52.08	52.1	54.6
96	PCR-E96PM()	81.66	75.66	59.69	61.46	69.86	69.9	72.1