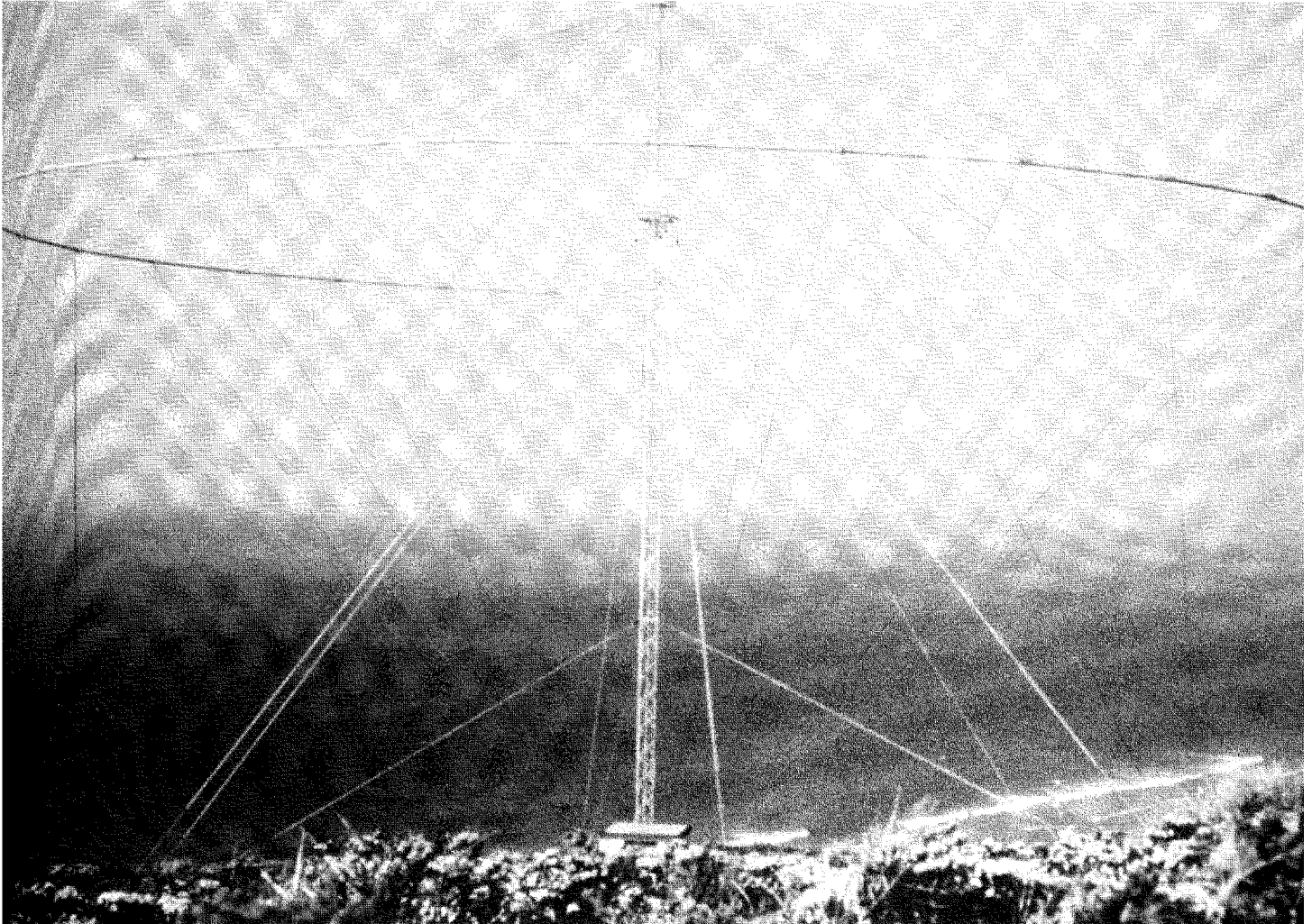


# HF MONOCONE™ Antennas



- 1.6-32 MHz Frequency Range
- 40 kW Average 160 kW Peak Power Rating
- Vertical Polarization
- Omnidirectional
- 2.0:1 Maximum VSWR
- Long-Range Communications (Skywave)
- Short-Range Communications (Groundwave)
- Low Angle Radiation Patterns
- Minimum Installation Ground Area

## General Description

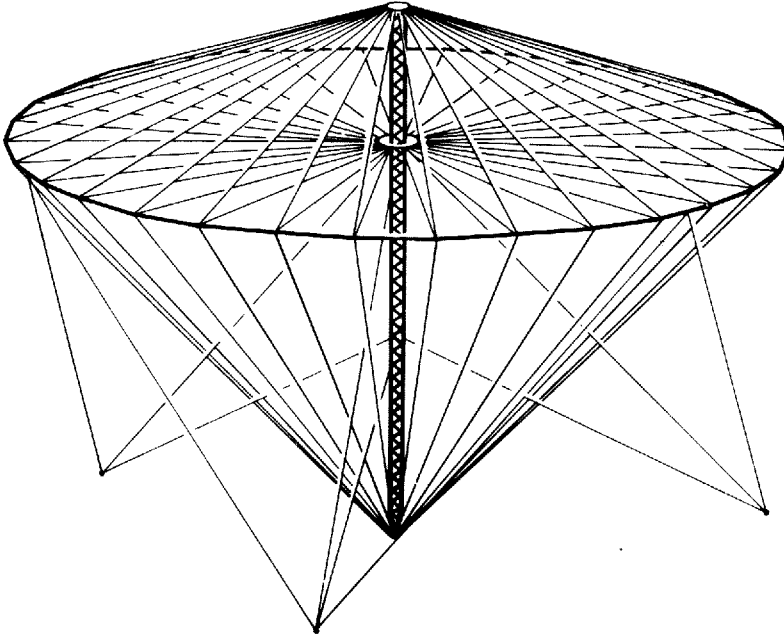
MONOCONE antennas are designed for very long range, high power transmit applications such as air-to-ground, ship-to-shore and HF broadcast. Advanced design provides superior electrical performance with a single central support tower.

MONOCONE antennas are the first vertical omnidirectional antennas to radiate all HF frequencies effectively. The broad frequency range permits use of the optimum frequency for any distance. The radiation patterns are suitable for skywave propagation at medium and long ranges, and ground-wave propagation at short distances.

## Radiation Patterns

Elevation plane radiation patterns are illustrated on page 2. Frequency is stated in terms of the lower frequency limit ( $f_0$ ), which is 1.6, 2.0, 2.4, 2.8, 4.0 or 5.6 depending upon model. At the higher frequencies, which are generally useful for long range skywave transmission, radiation is concentrated at the lower elevation angles. At the lower frequencies, which are useful for shorter ranges, the radiation patterns show greater gain at the higher angles required for skywave transmission, while preserving sufficient gain at the low angles to facilitate ground wave propagation.

## Elevation Plane Radiation Patterns



The radiation patterns shown are representative of the entire frequency range. There are no frequencies within the specified ranges at which the pattern deteriorates significantly from those shown.

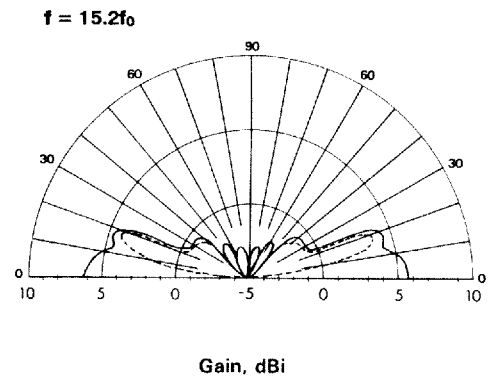
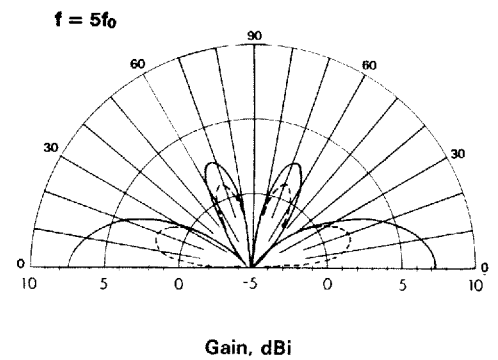
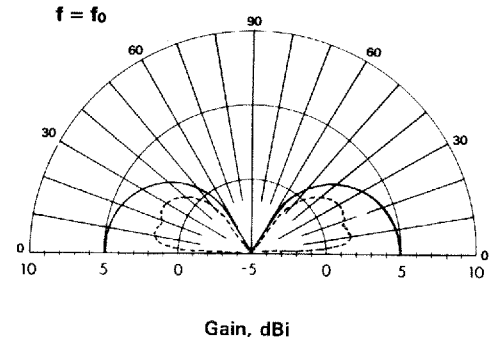
If installation ground area is limited, low frequency (LF) versions with a low frequency limit equal to 0.8 of the low frequency limit of the standard

version can be supplied on special order.

### Accessories

**Curtain Erection Kit** containing cables, hand winch and miscellaneous hardware for raising the curtain and ring is included with the antenna.

**Tower Erection Fixture** for erection of tower by sections.

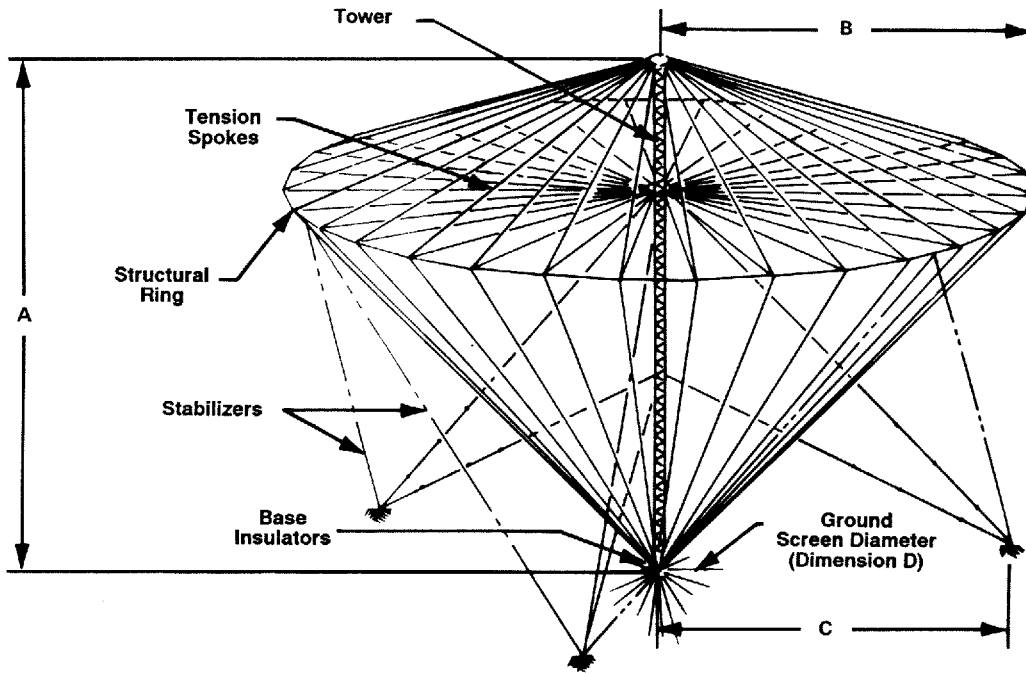


### Characteristics

Type	Omnidirectional Conical Monopole
Frequency Range, MHz	1.6, 2.0, 2.4, 2.8, 4.0 or 5.6-32
Power Rating, kW	Up to 40 average, 160 peak
Polarization	Vertical
VSWR (50 ohms)	2.0:1 maximum
Azimuth Plane Radiation Patterns	Circular within $\pm 0.75$ dB
Wind Survival Rating, mph (km/h)	
Without ice	120 (190)
With 0.5 in (12 mm) Radial Ice	90 (140)

- Patterns over perfectly conducting ground.
- Patterns over average soil with a ground screen provided. Average soil is defined as having a conductance of 0.012 mhos/metre and a relative dielectric constant of 15.

## Antenna Dimensions



### Ordering Information

Type Number*	Frequency Range MHz	Power Rating kW		Input Connector Female	Dimensions			
		Average	Peak		A ft (m)	B ft (m)	C ft (m)	D ft (m)
1794-101LF	1.6-32	10	40	1-5/8" EIA	86 (26)	63 (19)	60 (18)	246 (75)
1794-102LF	1.6-32	Receive Only		Type N Jack	86 (26)	63 (19)	60 (18)	246 (75)
1794-1K	2.0-32	40	160	3-1/8" EIA	86 (26)	63 (19)	60 (18)	246 (75)
1794-101K	2.0-32	10	40	1-5/8" EIA	86 (26)	63 (19)	60 (18)	246 (75)
1794-102K	2.0-32	Receive only		Type N Jack	86 (26)	63 (19)	60 (18)	246 (75)
1794-3K	2.4-32	40	160	3-1/8" EIA	71 (22)	52 (16)	49 (15)	205 (63)
1794-103K	2.4-32	10	40	1-5/8" EIA	71 (22)	52 (16)	49 (15)	205 (63)
1794-104K	2.4-32	Receive only		Type N Jack	71 (22)	52 (16)	49 (15)	205 (63)
1794-5K	2.8-32	40	160	3-1/8" EIA	61 (19)	45 (14)	42 (13)	176 (54)
1794-105K	2.8-32	10	40	1-5/8" EIA	61 (19)	45 (14)	42 (13)	176 (54)
1794-106K	2.8-32	Receive only		Type N Jack	61 (19)	45 (14)	42 (13)	176 (54)
1794-7K	4.0-32	40	160	3-1/8" EIA	43 (13)	32 (10)	29 (9)	123 (38)
1794-107K	4.0-32	10	40	1-5/8" EIA	43 (13)	32 (10)	29 (9)	123 (38)
1794-108K	4.0-32	Receive only		Type N Jack	43 (13)	32 (10)	29 (9)	123 (38)
1794-9K	5.6-32	40	160	3-1/8" EIA	31 (10)	23 (7)	19 (6)	88 (27)
1794-109K	5.6-32	10	40	1-5/8" EIA	31 (10)	23 (7)	19 (6)	88 (27)
1794-110K	5.6-32	Receive only		Type N Jack	31 (10)	23 (7)	19 (6)	88 (27)

\*The letter suffix "K" denotes that the antenna is supplied with "knockdown" (unassembled) tower.



Bulletin **1421A** 4/00

Data subject to change without notice  
Printed in U.S.A.

**Andrew Corporation**  
10500 West 153rd St.  
Orland Park, IL 60462  
U.S.A.

**From North America:**  
1-800-255-1479  
Fax: 1-800-349-5444  
Intl.: 708-873-2307  
Fax: 708-349-5444

**Andrew Canada, Inc.**  
606 Beech Street, West  
Whitby, Ontario, Canada  
L1N 5S2

Tel: 905-668-3348  
Fax: 905-668-8590

**Andrew Ltd.**  
Ilex Building, Mulberry  
Business Park  
Fishponds Road  
Wokingham, Berkshire  
England, United Kingdom  
RG41 2GY  
Tel: +44 118-936-6700  
Fax: +44 118-936-6777

**Fax-on-Demand**  
From North America:  
1-800-861-1700  
International:  
708-873-3614

Visit us on the Internet at:  
<http://www.andrew.com>