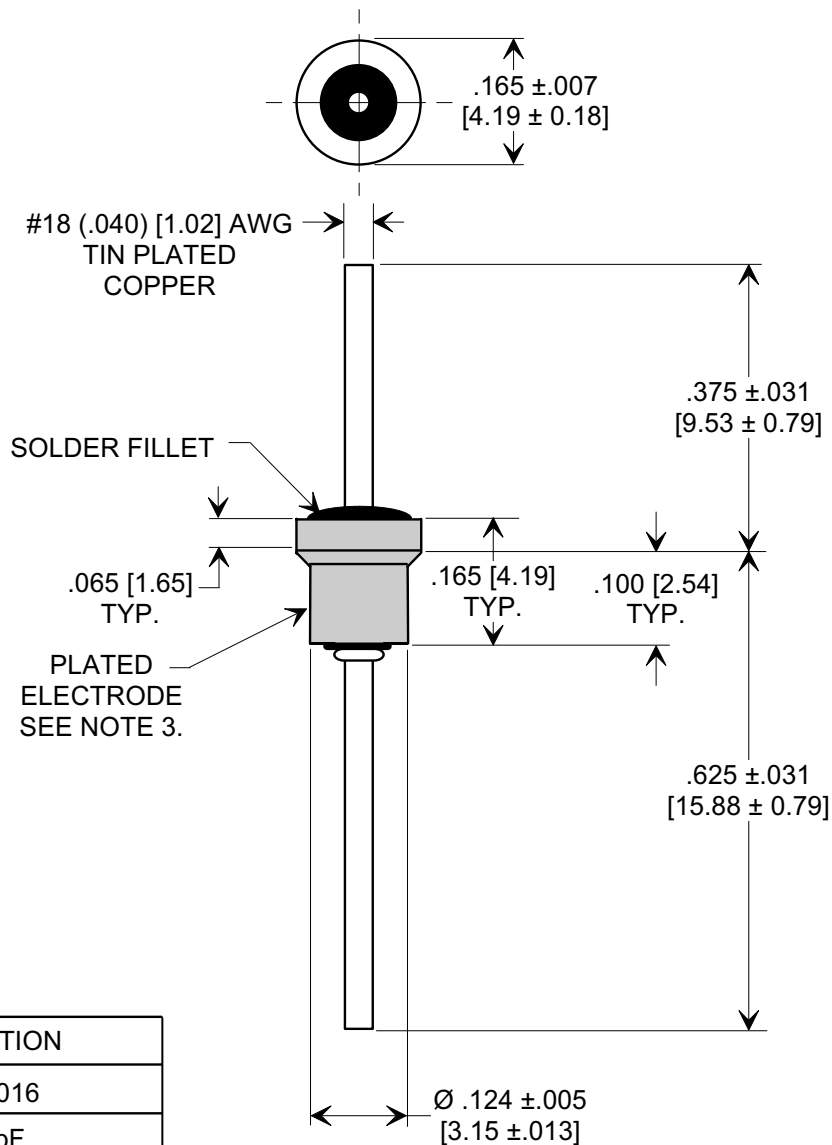
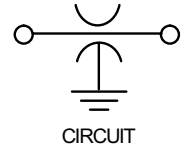
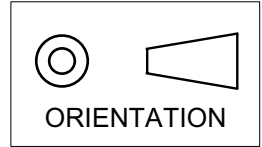


**MARKETING SALES DRAWING**

**DIMENSIONS IN INCHES - DO NOT SCALE THIS DRAWING**  
**DIMENSIONS IN METRIC - [ ]**

This drawing is the property of Tusonix, Inc., and may not be used, reproduced, published or disclosed to others without expressed authorization by Tusonix Inc.

**Electrical Testing**  
**per Tusonix standard**  
**test plans and Mil-Std-202**  
**Test Methods.**



OPERATING INFORMATION	
STYLE NO.	2461-016
VALUE	1000 pF
VALUE TOL.	-20%, +80%
TEMP. COEF.	X5U
RATING	200VDC@+85°C
OPERATING RANGE	-55°C,+125°C
DWV	600
I.R. MIN. @ 100 VDC	10 GΩ
TO TUSONIX SPEC. UNLESS STATED OTHERWISE.	

**NOTES:**

- TUSONIX STANDARD PART NUMBER: 2461-016-X5U0-102Z.  
 TUSONIX RoHS COMPLIANT PART NUMBER: 2461-016-X5U0-102Z. LF.  
 CUSTOMER MUST SPECIFY STANDARD OR RoHS PART NUMBER WHEN ORDERING.
- LEAD FINISH: STANDARD PART #: 100% TIN. RoHS PART #: 100% TIN.
- ELECTRODE FINISH: STANDARD PART #: 60/40 SOLDER PLATED. RoHS PART #: MATTE TIN PLATED.
- PART MARKING: STANDARD PART: NO MARKING. RoHS PART: MARKING ON PACKAGING ONLY.

X-2015 Rev-0

REVISION RECORD	
Original Release	
C.O.	
WAS SK 7746-000	
L.E. 04-18-00	
<b>20000406-3-04</b>	<b>0</b>
ADDED DWV, IR, DIM .100, TOL'S ±.005 & .010. S.M. 11-18-02	
<b>20021112-1-10</b>	<b>1</b>
REVISED DRW. TO MATCH CATALOG DWG. S.M. 10-04-04	
<b>20040930-2-08</b>	<b>2</b>
SOLDER PLATED WAS TIN. S.M. 06-20-05	
<b>20050616-1-10</b>	<b>3</b>
ADDED NOTES. S.M. 07-20-06	
<b>20060614-1-10</b>	<b>4</b>

--TOLERANCES-- Unless Otherwise Specified
DECIMAL ± .015 [38]
ANGLES ±
<b>TUSONIX</b> TUCSON, ARIZONA

Title		<b>SHOULDER FEED-THRU</b>	
Drawn	S.M. 02-11-00	Scale	4 X
Approved	J.Mc. 02-11-00		
<b>A</b>	<b>2461-016-X5U0-102Z</b>		