

DWG. NO. SD-35362-001

SIMILAR ITEM

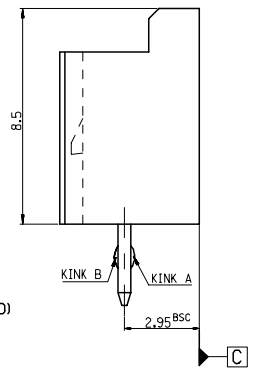
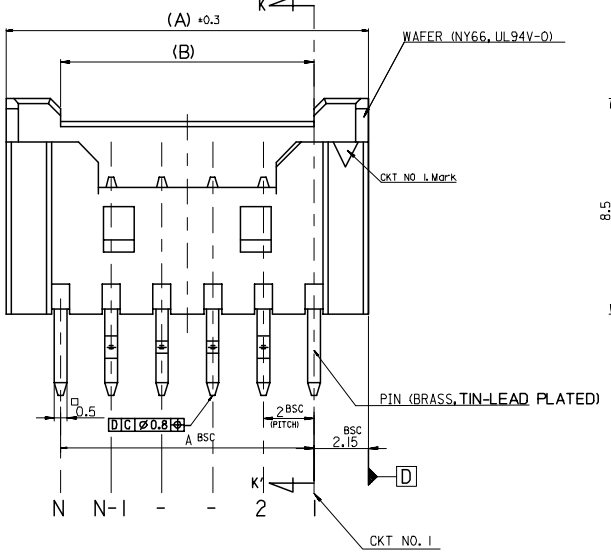
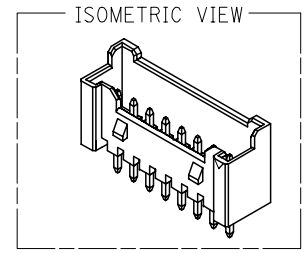
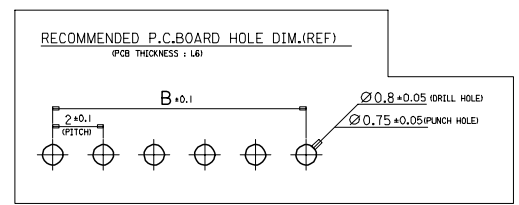
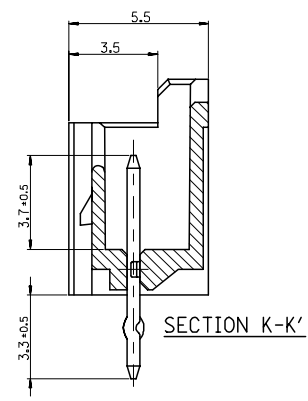
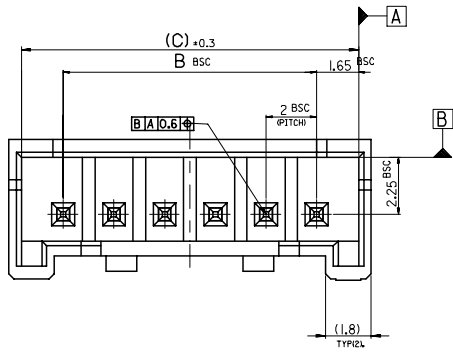
PROJECT NO.

C

B

DO NOT SCALE DRAWING  
DIMENSION IN METRIC

8 7 6 5 4 3 2 1



**LEGEND**

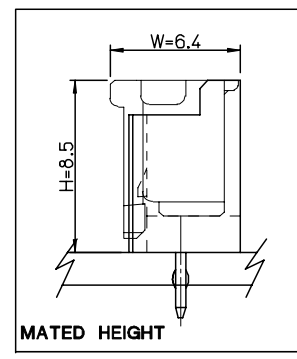
SD-35362-\*\*\*\*

CKT NO. [ ] COLOR [ ]

FINAL GOOD (BULK) [ ] KINK [ ]

SUB ASSY (TUBE) [ ] KINK [ ]

- 0 : NATURAL
- 1 : BLACK
- 2 : RED
- 3 : YELLOW
- 4 : BLUE
- 5 : GREEN



31.3	28	32.3	-15**	15
29.3	26	30.3	-14**	14
27.3	24	28.3	-13**	13
25.3	22	26.3	-12**	12
23.3	20	24.3	-11**	11
21.3	18	22.3	-10**	10
19.3	16	20.3	-09**	9
17.3	14	18.3	-08**	8
15.3	12	16.3	-07**	7
13.3	10	14.3	-06**	6
12.3	8	12.3	-05**	5
9.3	6	10.3	35362-04**	4
(C)	(B)	(A)	ENG. NO.	CKT

**NOTES**

- MATERIAL : WAFER : POLYAMIDE(PA), NO GLASS, UL94V-0 . NATURAL COLOR  
PIN : BRASS . TIN LEAD PLATED
- FINISHES : TERMINAL : Sn-Pb 2~3um OVERALL
- PRODUCT SPECIFICATION : PS-35507
- MATING HOUSING : 35507-\*\*\*0  
MATING TERMINAL : 50212-8000
- KINK

CKT NO	1	2	3	4	5	N-2	N-1	N
6 CKT OVER	-	A	B	-	-	B	A	-
5 CKT	A	B	-	B	A			
4 CKT	A	B	B	A				

30 over	±0.3
10 over 30 under	±0.25
10 under	±0.2
ANGLE	±3°
GENERAL TOLERANCE	

**REVISED**  
ECN NO. KOR2006-0004  
DRWN: Y.Soo.Kim 05/07/05  
CHK: Y.Soo.Kim 05/07/05  
APPR: C.W.Lee

QUALITY SYMBOLS  
MAJOR  
CRITICAL

GENERAL TOLERANCES: (UNLESS SPECIFIED)

	mm	INCH
4 PLACES	±0.	±.
3 PLACES	±0.	±.
2 PLACES	±0.	±.
1 PLACE	±0.	±.

ANGULAR: ± 3°

DRAFT WHERE APPLICABLE MUST REMAIN WITHIN DIMENSIONS

SCALE 1:1  
DESIGN UNITS [X] mm [ ] INCH  
THIRD ANGLE PROJECTION [ ] [X] THIRD ANGLE PROJECTION

DRAWN BY & DATE  
Y.S.KIM 96/09/11

CHECKED BY & DATE  
Y.Soo.Kim 96/09/11

APPROVED BY & DATE  
C.W.Lee 96/09/11

CAD FILENAME  
SD35362-001-S01

TITLE: 2.0mm W/B CONN. WAFER ASS'Y (S/T)

MOLEX INCORPORATED

MATERIAL NO. See Table  
DRAWING NO. SD-35362-001  
SHEET NO. 1 of 3

THIS DRAWING CONTAINS INFORMATION THAT IS PROPRIETARY TO MOLEX INCORPORATED AND SHOULD NOT BE USED WITHOUT WRITTEN PERMISSION.

SIZE B

8 7 6 5 4 3 2 1 KOREA MX-A3

DWG. NO. SD-35362-001

SIMILAR ITEM

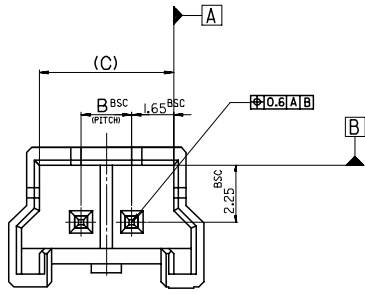
PROJECT NO.

C

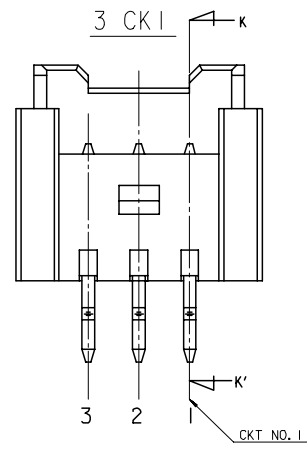
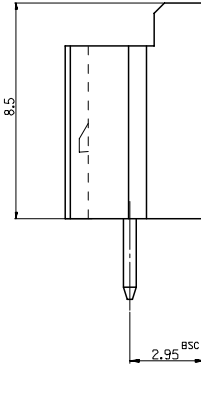
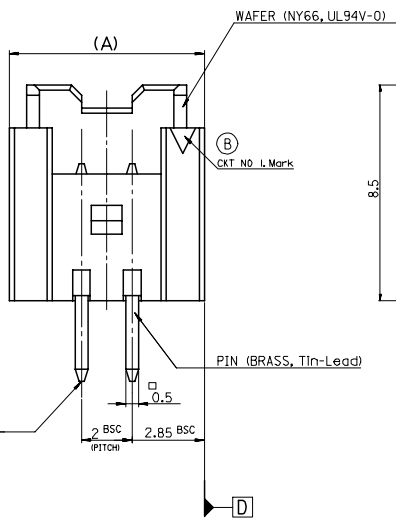
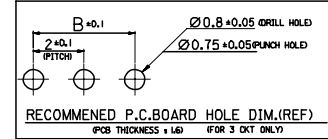
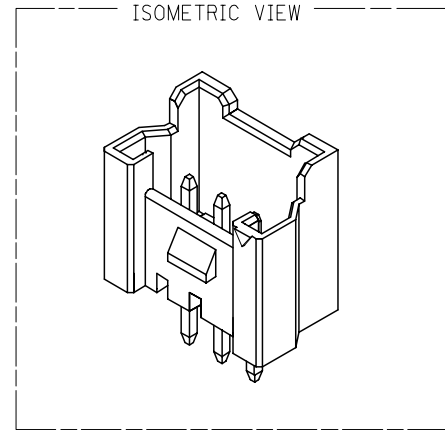
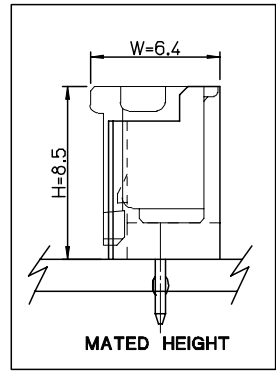
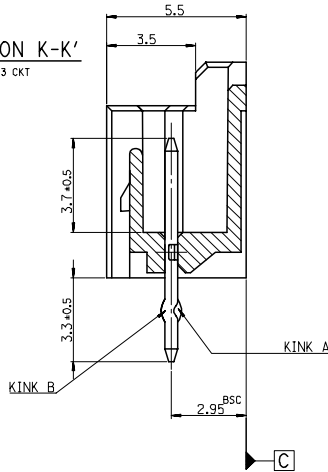
B

DO NOT SCALE DRAWING  
DIMENSION IN METRIC

FOR 2 & 3 CKTS.



SECTION K-K'  
ONLY 3 CKT



LEGEND

FINAL GOOD (BULK)	1 : SELECTIVE KINK	KINK	0 : NATURAL 1 : BLACK 2 : RED 3 : YELLOW 4 : BLUE 5 : GREEN
SUB ASSY (TUBE)	2 : NONE KINK		
	3 : SELECTIVE KINK		
	4 : NONE KINK		

SD-35362-\*\*\*  
CKT NO. \_\_\_\_\_ COLOR \_\_\_\_\_

7.3	4	9.7	35362-03**	3
5.3	2	7.7	35362-02**	2
(C)	B	(A)	ENG. NO.	CKT

NOTES

- MATERIAL : WAFER : POLYAMIDE(PA), NO GLASS, UL94V-0 . NATURAL COLOR  
PIN : BRASS . TIN LEAD PLATED
- FINISHES : TERMINAL : Sn-Pb 2~3um OVERALL
- PRODUCT SPECIFICATION : PS-35507
- MATING HOUSING : 35507-\*\*\*  
MATING TERMINAL : 50212-8000
- KINK

CKT NO	1	2	3
2 CKT	NONE KINK		
3 CKT	A	B	A

30 over	±0.3
10 over 30 under	±0.25
10 under	±0.2
ANGLE	±3°
GENERAL TOLERANCE	

REVISED  
ECN NO. KOR2006-0004  
DRWN: Y.Soo.Kim 05/07/05  
CHK: Y.Soo.Kim 05/07/05  
APPR: C.W.Lee

QUALITY SYMBOLS  
MAJOR  
CRITICAL  
DESCRIPTION

GENERAL TOLERANCES: (UNLESS SPECIFIED)

4 PLACES	±0.	±.
3 PLACES	±0.	±.
2 PLACES	±0.	±.
1 PLACE	±0.	±.

ANGULAR: ± 3°

DRAFT WHERE APPLICABLE MUST REMAIN WITHIN DIMENSIONS

SCALE 1:1  
DESIGN UNITS  mm  INCH  
DRAWN BY & DATE  
Y.S.KIM 96/09/11  
CHECKED BY & DATE  
Y.Soo.Kim 96/09/11  
APPROVED BY & DATE  
C.W.Lee 96/09/11

DIMENSIONS:  mm  INCH  mm ONLY

THIRD ANGLE PROJECTION

TITLE: 2.0mm W/B CONN. WAFER ASS'Y (S/T)

MOLEX INCORPORATED

CAD FILENAME: SD35362-001-S02  
MATERIAL NO. See Table  
DRAWING NO. SD-35362-001  
SHEET NO. 2 of 3

THIS DRAWING CONTAINS INFORMATION THAT IS PROPRIETARY TO MOLEX INCORPORATED AND SHOULD NOT BE USED WITHOUT WRITTEN PERMISSION.

SIZE B

DWG. NO.  
SD-35362-001

SIMILAR ITEM

PROJECT NO.

C

B

DO NOT SCALE DRAWING  
DIMENSION IN METRIC

8 7 6 5 4 3 2 1

F

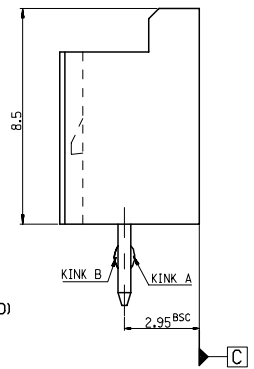
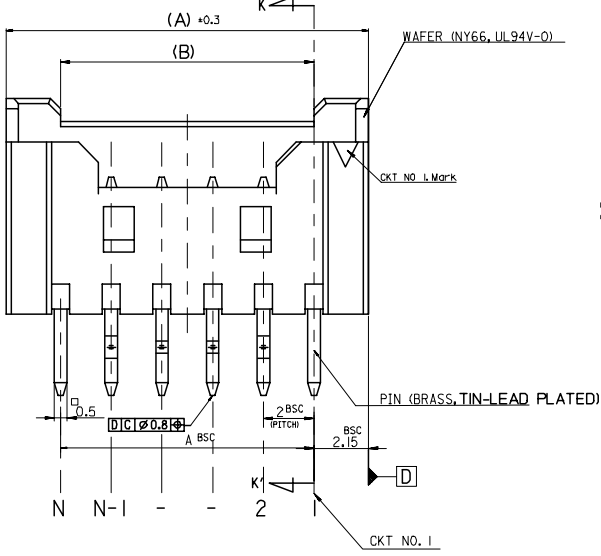
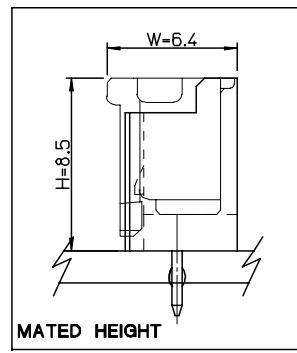
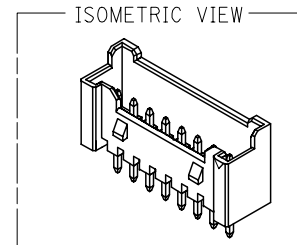
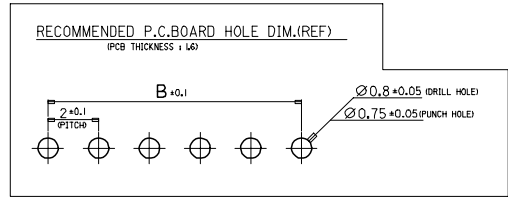
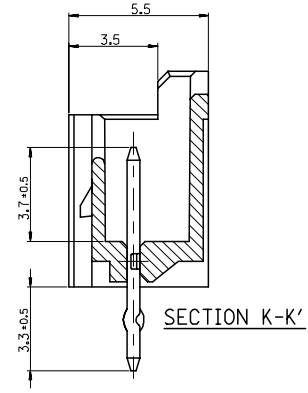
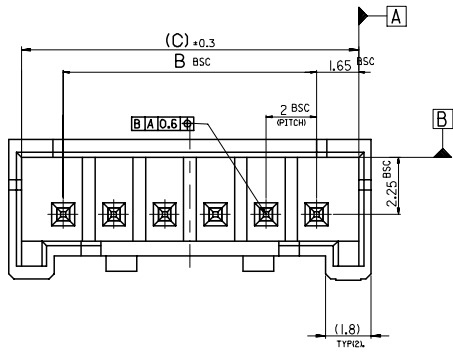
E

D

C

B

A



**LEGEND**

SD-35362-\*\*\*\*

CKT NO. \_\_\_\_\_ COLOR \_\_\_\_\_

- 0 : NATURAL
- 1 : BLACK
- 2 : RED
- 3 : YELLOW
- 4 : BLUE
- 5 : GREEN

FINAL GOOD (BULK) { 1 : SELECTIVE KINK, 2 : NONE KINK }

SUB ASSY (TUBE) { 3 : SELECTIVE KINK, 4 : NONE KINK }

41.3	38	42.3	3536220**	35362-20**	20
39.3	36	40.3	3536219**	35362-19**	19
37.3	34	38.3	3536218**	35362-18**	18
35.3	32	36.3	3536217**	35362-17**	17
33.3	30	34.3	3536216**	35362-16**	16
(C)	(B)	A	MATERIAL NO.	ENG. NO.	CKT

**NOTES**

- MATERIAL : WAFER : POLYAMIDE(PA), NO GLASS, UL94V-0 . NATURAL COLOR  
PIN : BRASS , TIN LEAD PLATED
- FINISHES : TERMINAL : Sn-Pb 2~3um OVERALL
- PRODUCT SPECIFICATION : PS-35507
- MATING HOUSING : 35507-\*\*-0\*  
MATING TERMINAL : 50212-8000
- KINK

CKT NO	1	2	3	-	-	N-2	N-1	N
16*20 CKT	-	A	B	-	-	B	A	-

**REVISED**

ECN NO. KOR2006-0004  
DRWN: Y.Soo.Kim 05/07/05  
CHK: Y.Soo.Kim 05/07/05  
APPR: C.W.Lee

QUALITY SYMBOLS

MAJOR

CRITICAL

GENERAL TOLERANCES: (UNLESS SPECIFIED)

	mm	INCH
4 PLACES	±0.	±-
3 PLACES	±0.	±-
2 PLACES	±0.	±-
1 PLACE	±0. 2	±-

ANGULAR: ± 3 °

DRAFT WHERE APPLICABLE MUST REMAIN WITHIN DIMENSIONS

SCALE 1:1

DESIGN UNITS  mm  INCH

THIRD ANGLE PROJECTION

TITLE: 2.0mm W/B CONN. WAFER ASS'Y (S/T)

MOLEX INCORPORATED

CAD FILENAME SD35362-001-S03

MATERIAL NO. See Table

DRAWING NO. SD-35362-001

SHEET NO. 3 of 3

SIZE B

DIMENSIONS:  mm  INCH  mm ONLY

SHT REV

REVISE ON CAD ONLY

THIS DRAWING CONTAINS INFORMATION THAT IS PROPRIETARY TO MOLEX INCORPORATED AND SHOULD NOT BE USED WITHOUT WRITTEN PERMISSION.

KOREA MX-A3

8 7 6 5 4 3 2 1

KOREA MX-A3