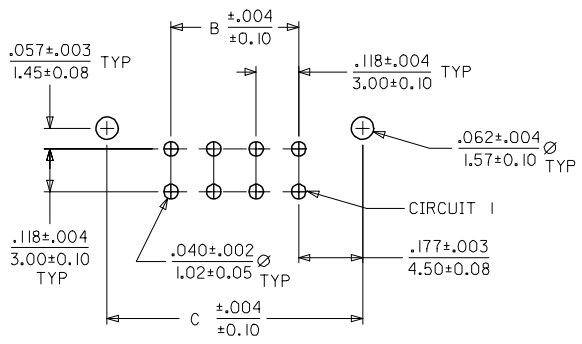
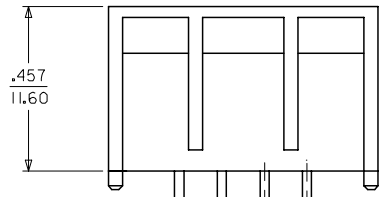
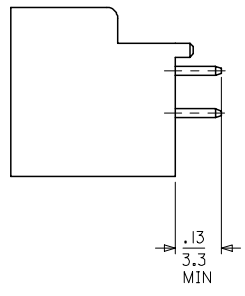
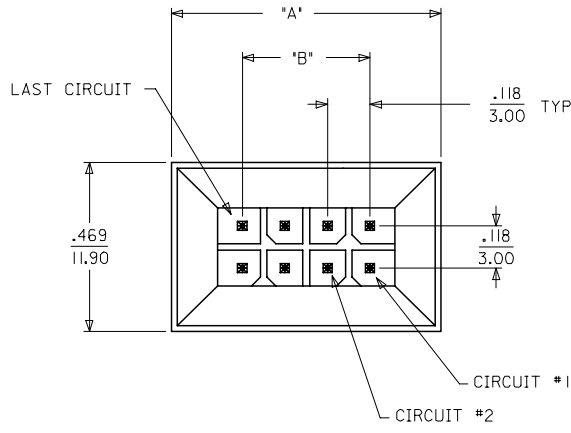


13 12 11 10 9 8 7 6 5 4 3 2 1

J  
I  
H  
G  
F  
E  
D  
C  
B  
A



CIRCUIT SIZE	"A"	"B"	C
04	.512 13.00	.118 3.00	.472 12.00
06	.630 16.00	.236 6.00	.590 15.00
08	.748 19.00	.354 9.00	.709 18.00
10	.866 22.00	.472 12.00	.827 21.00
12	.984 25.00	.590 15.00	.945 24.00
14	28.00 1.102	18.00 .709	27.00 1.063
16	1.220 31.00	.827 21.00	1.181 30.00
18	1.338 34.00	.945 24.00	1.299 33.00
20	1.457 37.00	1.063 27.00	1.417 36.00
22	1.575 40.00	1.181 30.00	1.535 39.00
24	1.693 43.00	1.299 33.00	1.653 42.00

NOTES :

- MATERIALS - HOUSING : HIGH TEMP NYLON ,GLASS-FILLED, UL94V-0 COLOR - BLACK  
TERMINAL : BRASS ALLOY
- FINISH:  
A= .000200/(0.0051) TIN PLATE OVER .000050/(0.0013) NICKEL.  
B= .000015/(0.00038) MIN GOLD IN SELECTIVE AREA;  
.000050/(0.0013) MIN TIN ON SOLDER TAILS  
BOTH OVER .000050/(0.0013) NICKEL.  
C= .000030/(0.00076) MIN GOLD IN SELECTIVE AREA;  
.000050/(0.0013) MIN TIN ON SOLDER TAILS  
BOTH OVER .000050/(0.0013) NICKEL.

\*THE PRIMARY SHIPPING CARTON WILL BE LABELED  
\*COMPLIANT TO ROHS DIRECTIVE 2002/95/EC  
AND ELV ANNEX II OF DIRECTIVE 2000/53/EC\*. CARTONS  
WITHOUT THIS LABEL MAY CONTAIN PRODUCT WITH  
TIN-LEAD PLATING.

- PRODUCT SPECIFICATION : PS-44300
- PACKAGING SPECIFICATION : PK-44432-001
- THIS ASSEMBLY MATES WITH MOLEX BMI RECEPTACLE'S  
PANEL MOUNT 44133 SERIES, VERTICAL PCB 44769 SERIES, AND  
RIGHT ANGLE PCB 44764 SERIES.

PCB LAYOUT: COMPONENT SIDE  
RECOMMENDED PCB THICKNESS : .100/(2.54) MAX.

TRANSLATE TO ME10 EC NO: UCP2005-1038 DRAWN BY: DRW:RHL/TS CHKD:SSOUSEK APPR:FSM/TH 2004/11/29 2004/12/01 2004/12/02	QUALITY SYMBOLS ▽=0 ▽=0	GENERAL TOLERANCES (UNLESS SPECIFIED)		DIMENSION STYLE IN/MM		SCALE 1:1	DESIGN UNITS INCH	THIRD ANGLE PROJECTION		
		4 PLACES ± --- ± --- 3 PLACES ± --- ± .010 2 PLACES ± 0.25 ± .015 1 PLACE ± 0.38 ± --- ANGULAR ± 1°		DRAWN BY DATE MUELLER 2002/04/15 CHECKED BY DATE MUELLER 2002/04/15 APPROVED BY DATE MARGULIS 2002/04/15		TITLE MICRO FIT (3.0) DUAL ROW VERTICAL BMI HEADER - ASSEMBLY		MATERIAL NO. SD-45354-001		SHEET NO. 1 OF 2
		DRAFT WHERE APPLICABLE MUST REMAIN WITHIN DIMENSIONS		SEE CHART		MOLEX INCORPORATED		DOCUMENT NO.		
		THIS DRAWING CONTAINS INFORMATION THAT IS PROPRIETARY TO MOLEX INCORPORATED AND SHOULD NOT BE USED WITHOUT WRITTEN PERMISSION								

12 11 10 9 8 7 6 5 4 3 2 1

	13	12	11	10	9	8	7	6	5	4	3	2	1	
	MATERIAL NUMBER	NUMBER OF POSITIONS	PLATING OPTION											
J	45354-0401	04	A											J
	45354-0402	04	B											
	45354-0403	04	C											
	45354-0601	06	A											
I	45354-0602	06	B											I
	45354-0603	06	C											
	45354-0801	08	A											
	45354-0802	08	B											
	45354-0803	08	C											
H	45354-1001	10	A											H
	45354-1002	10	B											
	45354-1003	10	C											
	45354-1201	12	A											
	45354-1202	12	B											
G	45354-1203	12	C											G
	45354-1401	14	A											
	45354-1402	14	B											
	45354-1403	14	C											
	45354-1601	16	A											
F	45354-1602	16	B											F
	45354-1603	16	C											
	45354-1801	18	A											
	45354-1802	18	B											
E	45354-1803	18	C											E
	45354-2001	20	A											
	45354-2002	20	B											
	45354-2003	20	C											
	45354-2201	22	A											
D	45354-2202	22	B											D
	45354-2203	22	C											
	45354-2401	24	A											
	45354-2402	24	B											
C	45354-2403	24	C											C
B													B	
A													A	

TRANSLATE TO ME10 EC NO: UCP2005-1038 DRAWN BY: DRWNRHOLTS CHKD: SSOUSEK APPR: FSMITH 2004/11/29 2004/12/01 2004/12/02	QUALITY SYMBOLS 	GENERAL TOLERANCES (UNLESS SPECIFIED)		DIMENSION STYLE		SCALE	DESIGN UNITS	THIRD ANGLE PROJECTION		
				IN/MM		---	INCH			
		4 PLACES	± ---	± ---	DRAWN BY	DATE	TITLE			
		3 PLACES	± ---	± ---	MUELLER	2002/04/15	MICRO FIT (3.0) DUAL ROW VERTICAL BMI HEADER- ASS'Y			
2 PLACES	± ---	± ---	CHECKED BY	DATE						
1 PLACE	± ---	± ---	MUELLER	2002/04/15						
ANGULAR ± ---°		APPROVED BY		DATE	MATERIAL NO.					
		MARGULIS		2002/04/15	DOCUMENT NO.		SHEET NO.			
DRAFT WHERE APPLICABLE MUST REMAIN WITHIN DIMENSIONS		SEE CHART		SD-45354-001		2 OF 2				
THIS DRAWING CONTAINS INFORMATION THAT IS PROPRIETARY TO MOLEX INCORPORATED AND SHOULD NOT BE USED WITHOUT WRITTEN PERMISSION										