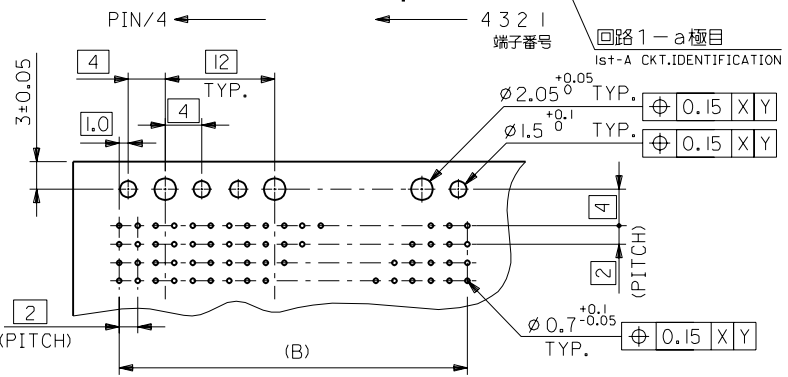
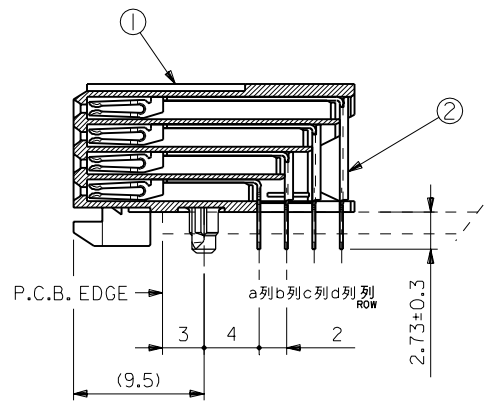
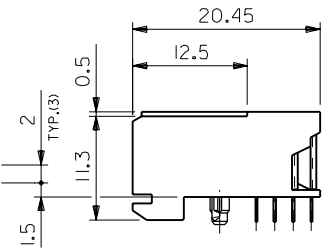
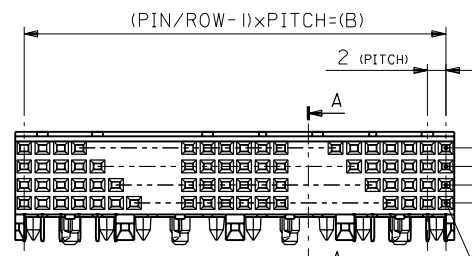
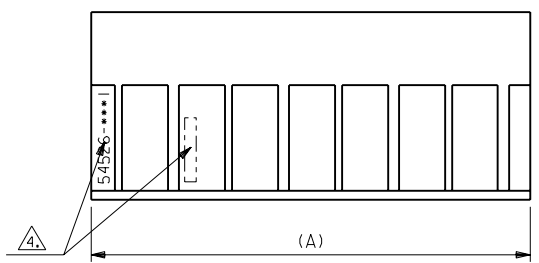


DWG. NO. SD-54526-001

番号 No.	部品 PART NAME	材質 MATERIAL	仕上げ FINISH
①	リセプタクル ハウジング RECEPTACLE HOUSING	液晶ポリマー、ガラス充填、自然色(白)、UL94V-0 LCP, GLASS FILLED, NATURAL(WHITE), UL94V-0	—
②	リセプタクル ターミナル RECEPTACLE TERMINAL	リン青銅 PHOSPHOR BRONZE	△



注記
NOTE :

- △ターミナル めっき仕様
TERMINAL PLATING
金めっき: 0.76 μm MIN. (接点部)
GOLD : 0.76 μm MIN. (CONTACT AREA)
半田めっき: 1.0 μm MIN. (半田付け部)
TIN-LEAD : 1.0 μm MIN. (SOLDER AREA)
ニッケルメッキ: 2.0 μm MIN. (下地めっき)
NICKEL : 1.0 μm MIN. (UNDER PLATING)
- 2.推奨基板厚: t=1.6
RECOMMENDED P.C.B. THICKNESS : t=1.6
- 3.適合プラグ: 53901-***5, 55222-***5, 55089-***5
APPLICABLE PLUG : 53901-***5, 55222-***5, 55089-***5
- △製品番号及びロットナンバー
MATERIAL NO. & LOT NO.

94	95.98	54526-1921	192
58	59.98	54526-1201	120
46	47.98	54526-0961	96
22	23.98	54526-0481	48
10	11.98	54526-0241	24
B	A	MATERIAL NO.	PIN

基板穴推奨寸法 (部品実装)
RECOMMENDED P.C.B. LAYOUT (COMPONENT SIDE)

DO NOT SCALE DRAWING

DRAWING INFORMATION		MATERIAL		GENERAL TOLERANCES:		SCALE		DESIGN UNITS		DIMENSIONS:		SHT		REV	
FIG. NO. DRWN: CHK: APPR:	FIG. NO. DRWN: CHK: APPR:	FIG. NO. DRWN: CHK: APPR:	FIG. NO. DRWN: CHK: APPR:	FIG. NO. DRWN: CHK: APPR:	FIG. NO. DRWN: CHK: APPR:	10 UNDER 未満	+0.2	2-1	<input checked="" type="checkbox"/> mm <input type="checkbox"/> INCH	<input type="checkbox"/> mm <input type="checkbox"/> INCH	<input type="checkbox"/> mm ONLY	<input type="checkbox"/> mm ONLY	REVISE ON CAD ONLY		
RELEASED REG. NO. JDO0190 DRWN: S.HOSHIKAWA '99/08/23 CHK: A.ANOA APPR: H.IKESUGI		DESCRIPTION		FINISH 仕上げ		30 OVER 以上		30 UNDER 未満		APPROVED BY & DATE A. Naga		TITLE: "MFB" B/B CONN. (FB+) REC. ASS'Y 4ROWS DIP		MATERIAL NO. DRAWING NO.	
WIRE RANGE 適用線径範囲		INS. RANGE 被覆外径		ANGLE 角度		30 OVER 以上		+0.3		APPROVED BY & DATE A. Naga		MATERIAL NO. DRAWING NO.		SHEET NO. SIZE	
0		O		—		+3°		CAD FILENAME 54526001.S01		MATERIAL NO. DRAWING NO.		SEE TABLE SD-54526-001		1 OF 1 B	
THIS DRAWING CONTAINS INFORMATION THAT IS PROPRIETARY TO MOLEX INCORPORATED AND SHOULD NOT BE USED WITHOUT WRITTEN PERMISSION.															