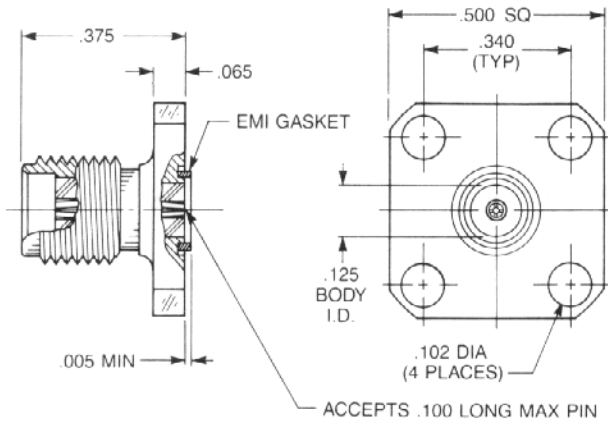




HERMETIC SEAL LAUNCHERS

FOR .012" DIAMETER PINS



Straight Jack 1/2" Square Flange

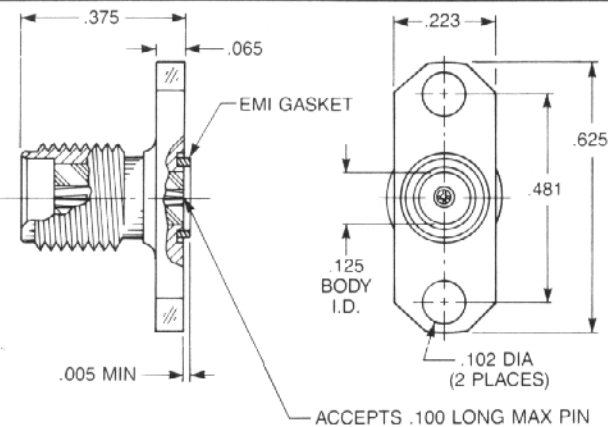
9045-9513-000

Optional packaging:

9145-9513-000 (Includes 920-55)

9245-9513-000 (Includes 920-55 and 907-111-1)

9345-9513-000 (Includes 907-111-1)



Straight Jack 2-Hole Flange

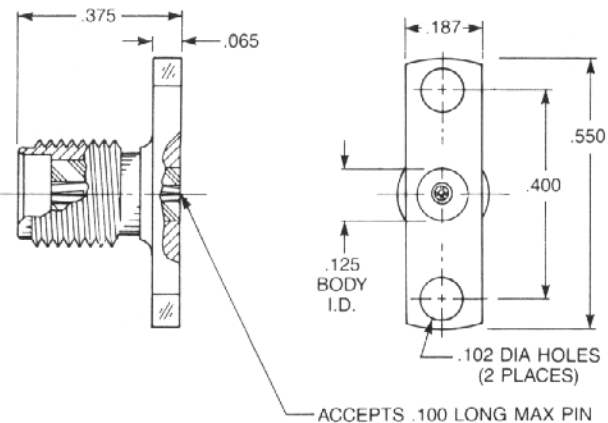
9044-9513-000

Optional packaging:

9144-9513-000 (Includes 920-55)

9244-9513-000 (Includes 920-55 and 907-111-1)

9344-9513-000 (Includes 907-111-1)



Straight Jack Narrow 2-Hole Flange

No EMI gasket

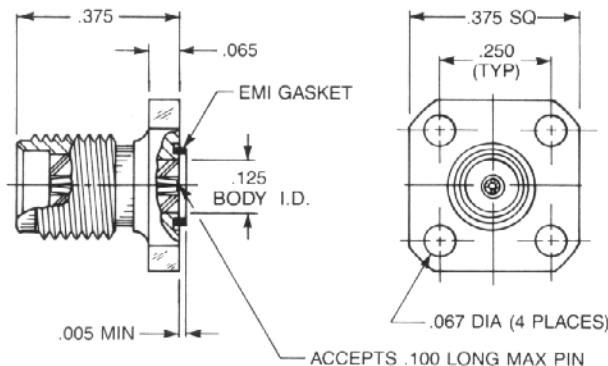
9080-9513-000

Optional packaging:

9180-9513-000 (Includes 920-55)

9280-9513-000 (Includes 920-55 and 907-111-1)

9380-9513-000 (Includes 907-111-1)



Straight Jack 3/8" Square Flange

9079-9513-000

Optional packaging:

9179-9513-000 (Includes 920-55)

9279-9513-000 (Includes 920-55 and 907-111-1)

9379-9513-000 (Includes 907-111-1)

These units accept pin diameters .011 to .015"

AEP New Haven, CT
203/776-2813

**Straight Jack
Rectangular Flange**

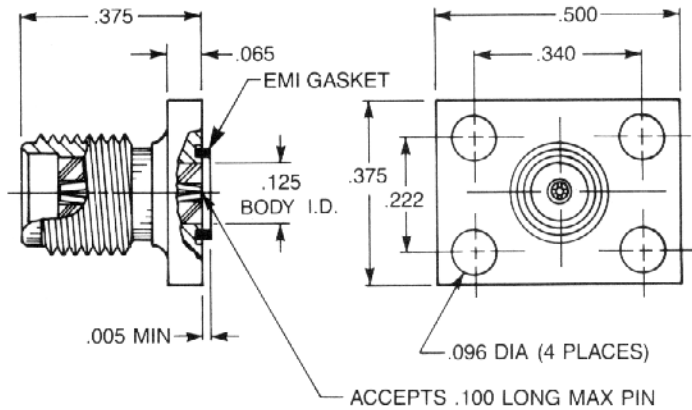
9062-9513-000

Optional packaging:

9162-9513-000 (Includes 920-55)

9262-9513-000 (Includes 920-55
and 907-111-1)

9362-9513-000 (Includes 907-111-1)



**Straight Plug
1/2" Square Flange**

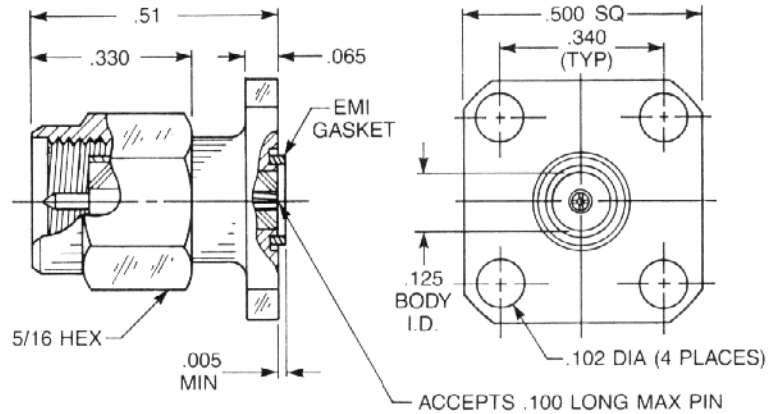
9047-9513-000

Optional packaging:

9147-9513-000 (Includes 920-55)

9247-9513-000 (Includes 920-55
and 907-111-1)

9347-9513-000 (Includes 907-111-1)



**Straight Plug
2-Hole Flange**

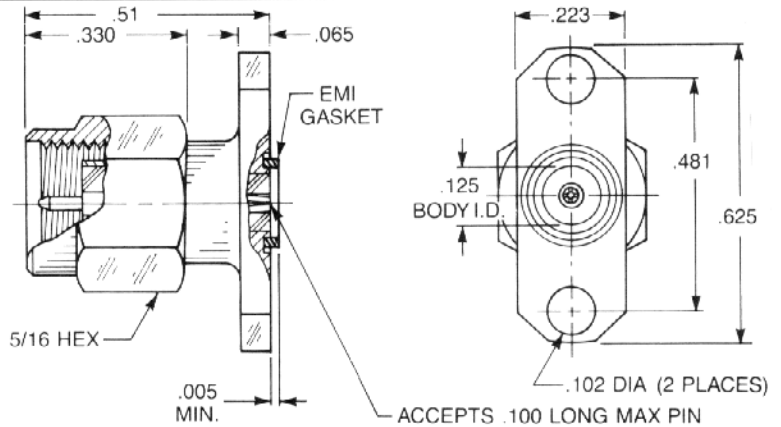
9046-9513-000

Optional packaging:

9146-9513-000 (Includes 920-55)

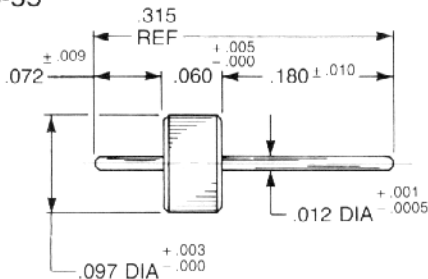
9246-9513-000 (Includes 920-55
and 907-111-1)

9346-9513-000 (Includes 907-111-11)



Solder-In Hermetic Seal

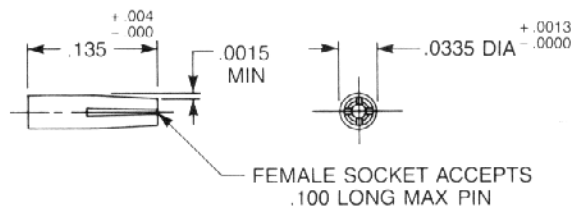
P/N 920-55



See page 45 for material and finish specifications and mounting dimensions.

Accessory Contact

P/N 907-111-1



Material: Beryllium copper
Finish: Gold per MIL-G-45204, type II, class I, grade C, over .0001 copper per MIL-C-14550

These units accept pin diameters .011 to .015"