

cosmo**High Reliability Photo Coupler KPC4N33**

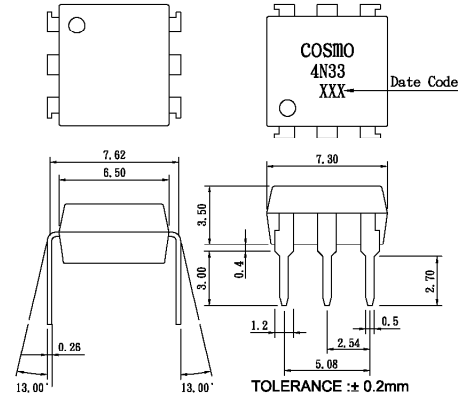
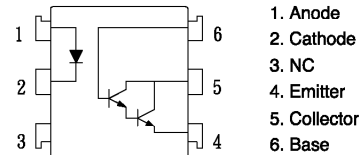
UL 1577 (File No.E169586)

Features

1. High current transfer ratio
(CTR:MIN.500% at $I_F=1\text{mA}$, $V_{ce}=2\text{V}$)
2. High isolation voltage between input and output
(Viso:5000Vrms).
3. Compact dual-in-line package.
4. Available package : DIP/ SMD/ H.

Applications

1. System appliances, measuring instruments.
2. Industrial robots.
3. Copiers, automatic vending machines, facsimiles.
4. Signal transmission between circuits of different potentials and impedances.
5. Telephone sets.
6. Copiers, tacsimiles.
7. Interface with various power supply circuits, power distribution boards.
8. Numerical control machines.

Outside Dimension : Unit (mm)**Schematic : Top View****Absolute Maximum Ratings**

(Ta=25°C)

	Parameter	Symbol	Rating	Unit
Input	Forward current	I_F	50	mA
	Peak forward current	I_{FM}	1	A
	Reverse voltage	V_R	6	V
	Power dissipation	P_D	70	mW
Output	Collector-emitter voltage	V_{CEO}	30	V
	Collector-base voltage	V_{CBO}	30	V
	Emitter-base voltage	V_{EBO}	6	V
	Collector current	I_C	150	mA
	Collector power dissipation	P_C	200	mW
	Total power dissipation	P_{tot}	200	mW
	Isolation voltage 1 minute	V_{iso}	5000	Vrms
	Operating temperature	T_{opr}	-30 to +100	°C
	Storage temperature	T_{stg}	-55 to +125	°C
	Soldering temperature 10 second	T_{sol}	260	°C

Electro-optical Characteristics

(Ta=25°C)

	Parameter	Symbol	Conditions	MIN.	TYP.	MAX.	Unit
Input	Forward voltage	V_F	$I_F=10\text{mA}$	—	1.2	1.4	V
	Peak forward voltage	V_{FM}	$I_{FM}=0.5\text{A}$	—	—	3.5	V
	Reverse current	I_R	$V_R=4\text{V}$	—	—	10	uA
	Terminal capacitance	C_t	$V=0$, $f=1\text{kHz}$	—	30	—	pF
Output	Collector dark current	I_{CEO}	$V_{CE}=10\text{V}$, $I_F=0$	—	—	0.1	uA
Transfer characteristics	Current transfer ratio	CTR	$I_F=1\text{mA}$, $V_{CE}=2\text{V}$	500	—	—	%
	Collector-emitter saturation voltage	$V_{CE(sat)}$	$I_F=8\text{mA}$, $I_C=2\text{mA}$	—	—	1.0	V
	Isolation resistance	Riso	DC500V	5×10^{10}	—	—	ohm
	Floating capacitance	C_f	$V=0$, $f=1\text{MHz}$	—	0.6	1.0	pF
	Cut-off frequency	f_c	$V_{CC}=5\text{V}$, $I_C=2\text{mA}$, $R_L=100\text{ohm}$	—	7	—	kHz
	Response time (Rise)	t_r	$V_{CE}=10\text{V}$, $I_C=50\text{mA}$, $R_L=100\text{ohm}$	—	5	40	us
	Response time (Fall)	t_f		—	60	100	us

cosmo

KPC4N33

