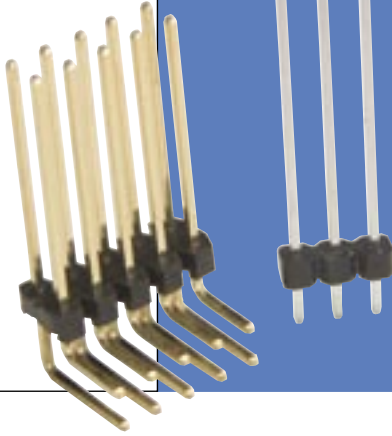


# M22 Connectors

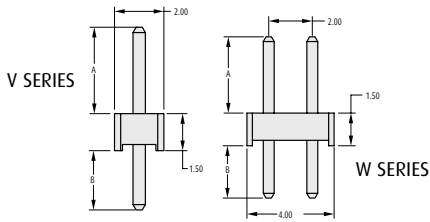
## Pin Header Variants



➤ HARWIN offers the ultimate flexibility "Standard Variant Pin Headers." Use the order code below to make up your very own pin header. Contact Technical Sales for price and delivery.

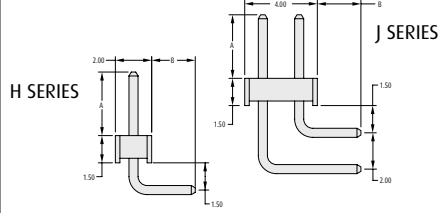
### TERMINATION STYLES

#### VERTICAL



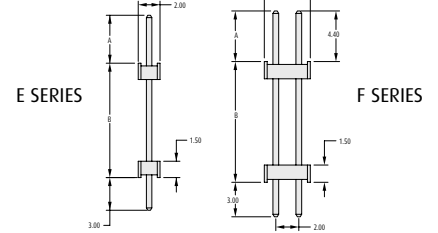
Pin section is 0.5mm sq, PCB mounting hole is  $\varnothing$  0.8mm

#### HORIZONTAL



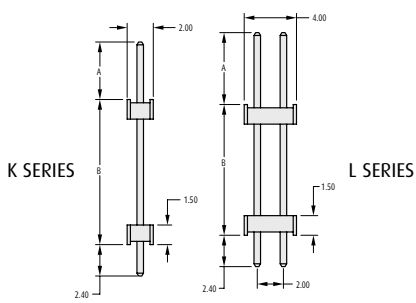
Pin section is 0.5mm sq, PCB mounting hole is  $\varnothing$  0.8mm. Max B dimension is 6.00mm

#### EXTENDED



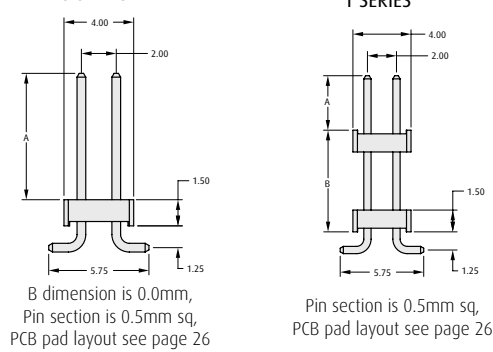
Pin section is 0.5mm sq, PCB mounting hole is  $\varnothing$  0.8mm

#### EXTENDED (2.4mm tail)



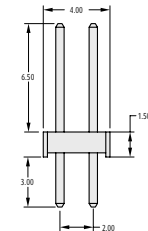
Pin section is 0.5mm sq, PCB mounting hole is  $\varnothing$  0.8mm

#### SURFACE MOUNT



B dimension is 0.0mm, Pin section is 0.5mm sq, PCB pad layout see page 26

EXAMPLE:  
**M22-065030W0506** –  
 2mm Pitch vertical double row  
 pin header with 5 pins per row.  
**A** dimension is 6.5 and **B** dimension  
 is 3.0, in tin finish.



### HOW TO ORDER

**M22 - XXX XXX X XX XX**

SERIES CODE

DIMENSION A

Eg. 7.8mm = 078

DIMENSION B

Eg. 5.0mm = 050

FINISH

05 Gold

06 Tin/Lead

46 Tin

NO. OF WAYS PER ROW

02 to 50

	SINGLE ROW	DOUBLE ROW
Vertical	V	W
Horizontal	H	J
Extended	E	F
Extended (2.4mm tail)	K	L
Surface Mount	-	S
Extended Surface Mount	-	T

www.harwin.com

