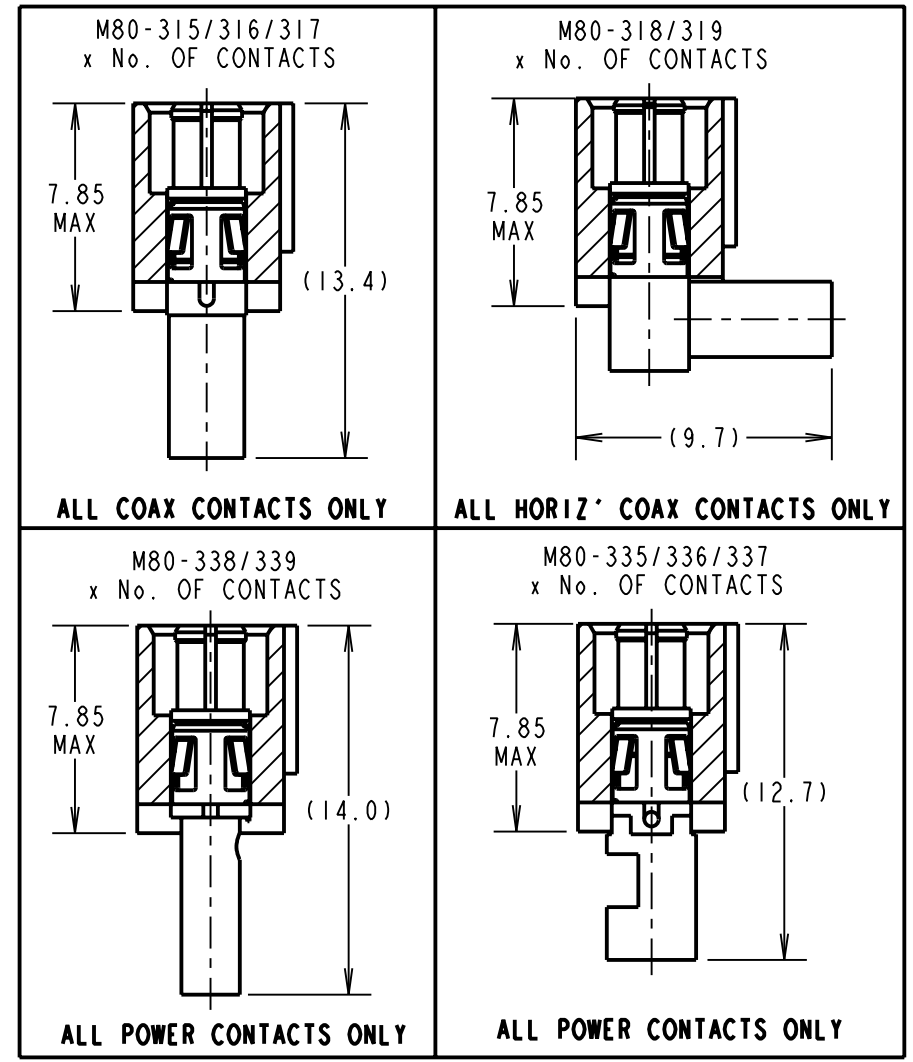
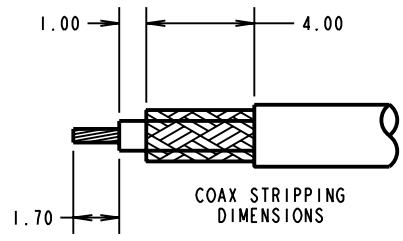
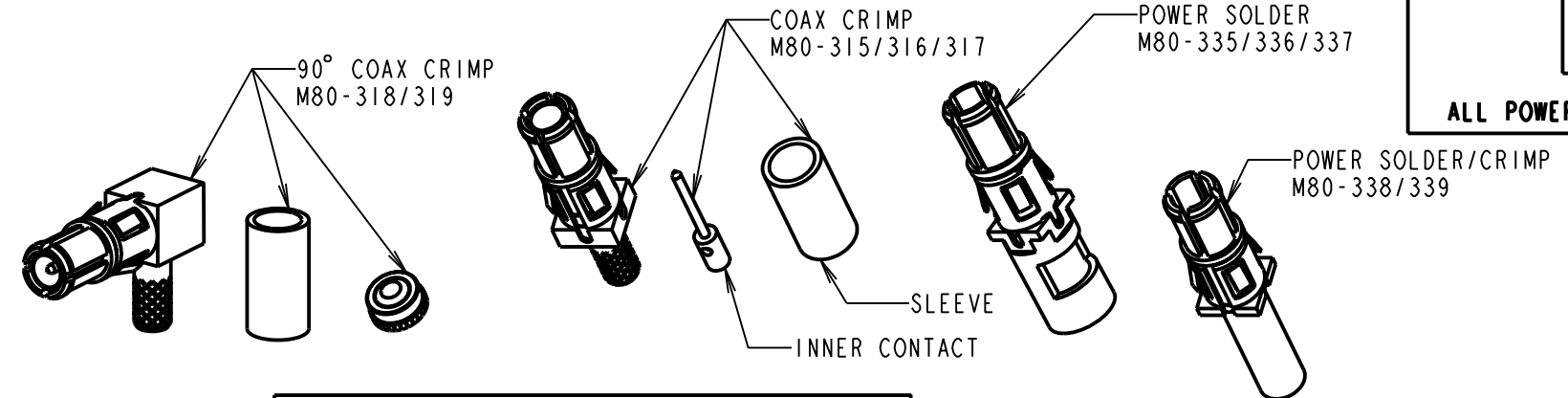
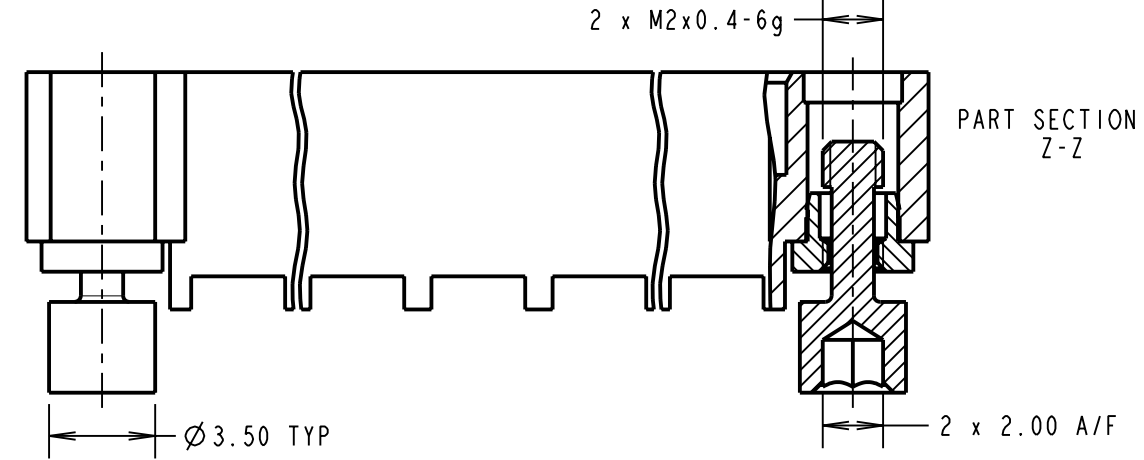
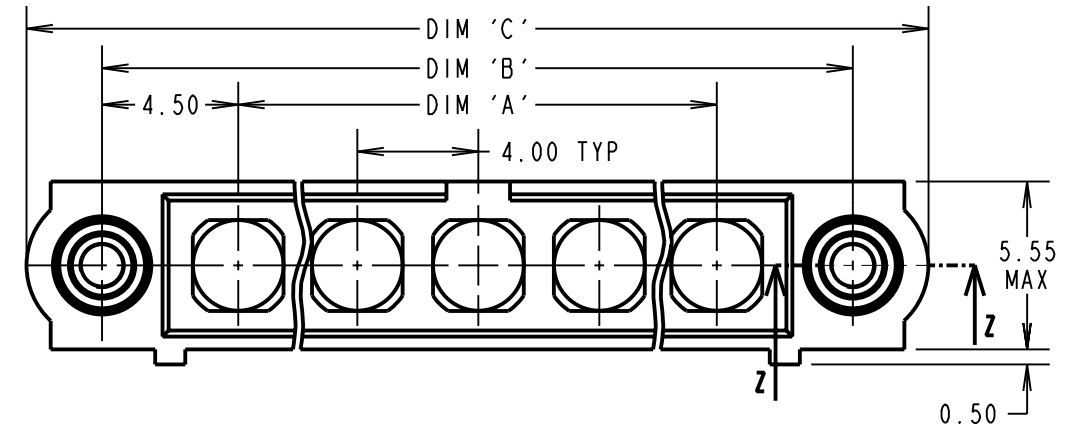


# Customer Information Sheet

DRAWING No.: M80-5000000MB-XX-XXX-00-000      SHEET 3 OF 4      IF IN DOUBT - ASK      ©      NOT TO SCALE      THIRD ANGLE PROJECTION      ALL DIMENSIONS IN mm

## SPECIFICATIONS:

**MATERIAL:**  
 MOULDING: GLASS FILLED PPS, UL94V-0, BLACK  
 COAX & POWER CONTACT:  
 BODY, SLEEVE, INNER CONTACT, END PLUG = COPPER ALLOY  
 LATCHING COLLAR = BERYLLIUM COPPER  
 INSULATOR = PTFE  
 JACKSCREW: STAINLESS STEEL  
**FINISH:**  
 COAX & POWER CONTACT:  
 BODY, SLEEVE, INNER CONTACT, END PLUG = GOLD  
 LATCHING COLLAR = NICKEL  
**ELECTRICAL:**  
 WORKING VOLTAGE = 120V AC/DC  
 VOLTAGE PROOF = 360V AC/DC  
 INSULATION RESISTANCE = 100MΩ MIN  
**POWER CONTACT:**  
 CONTACT RESISTANCE 6mΩ MAX  
 CURRENT RATING = M80-335 = 20A MAX WITH 12AWG  
                           M80-336 = 15A MAX WITH 14AWG  
                           M80-337 = 10A MAX WITH 16AWG  
                           M80-338 = 8A MAX WITH 18AWG  
                           M80-339 = 5A MAX WITH 20AWG  
                           CONTACT AS SPECIFIED  
**COAX CONTACT:**  
 FREQUENCY RANGE = 6GHz  
 IMPEDANCE = 50 Ω  
 V.S.W.R = 1.05 + (0.04 x FREQUENCY) GHz MAX  
 CONTACT RESISTANCE 6 mΩ MAX  
 INSULATION RESISTANCE = 10<sup>6</sup>MΩ @250V AC  
 OPERATING VOLTAGE = 180V AC @ 500mA  
 MAXIMUM VOLTAGE = 1000V AC  
**MECHANICAL:**  
 DURABILITY = 500 OPERATIONS  
 COAX & POWER CONTACT:  
 INSERTION FORCE = 5N MAX  
 WITHDRAWAL FORCE = 0.5N MIN  
**ENVIRONMENTAL:**  
 TEMPERATURE RANGE = -55°C TO +125°C  
**PACKING:**  
 BAG  
 FOR COMPLETE SPECIFICATION SEE COMPONENT SPECIFICATION CO05XX (LATEST ISSUE)



DIMENSION	CALCULATION
DIM 'A'	4 x No. OF CONTACTS - 4.00
DIM 'B'	4 x No. OF CONTACTS + 5.00
DIM 'C'	4 x No. OF CONTACTS + 10.00

EXAMPLE 1: CONNECTOR WITH 08 COAX CONTACTS,  
 M80-5000000MB-08-315-00-000  
 DIM 'A' = 28.00mm, DIM 'B' = 37.00mm, DIM 'C' = 42.00mm

EXAMPLE 2: CONNECTOR WITH 10 POWER CONTACTS,  
 M80-5000000MB-10-335-00-000  
 DIM 'A' = 36.00mm, DIM 'B' = 45.00mm, DIM 'C' = 50.00mm

ORDER CODE: (CRIMP/SOLDER CONTACTS)  
**M80-5000000MB-XX-XXX-00-000**

TOTAL No. OF CONTACTS \_\_\_\_\_  
 02 TO 12

SPECIAL CONTACTS (CRIMP)  
 315 = COAX CONTACT 2.0mm CRIMP M80-315  
 316 = COAX CONTACT 2.4mm CRIMP M80-316  
 317 = COAX CONTACT 2.7mm CRIMP M80-317  
 318 = COAX CONTACT 2.0mm HORIZ' CRIMP M80-318  
 319 = COAX CONTACT 2.7mm HORIZ' CRIMP M80-319  
 335 = POWER CONTACT 12AWG SOLDER  
 336 = POWER CONTACT 14AWG SOLDER  
 337 = POWER CONTACT 16AWG SOLDER  
 338 = POWER CONTACT 18AWG SOLDER/CRIMP M80-338  
 339 = POWER CONTACT 20AWG SOLDER/CRIMP M80-339

- NOTES:
- CONNECTORS ARE SUPPLIED WITH CONTACTS LOOSE.
  - COAX CONTACT IS SUPPLIED AS A KIT OF PARTS: BODY, MAIN INSULATOR, INNER CONTACT AND LATCHING COLLAR ARE PRE-ASSEMBLED AND SLEEVE AND INSULATED END PLUG ASSEMBLY ARE SEPARATE.
  - FOR EXTRA COAX CONTACTS, USE PART NUMBERS M80-315/316/317/318/319.
  - FOR EXTRA POWER CONTACTS USE PART NUMBERS M80-335/336/337/338/339
  - COAX & POWER CONTACT EXTRACTION TOOL = Z80-290
  - POWER CONTACT WIRE, STRIP BY 5.00mm MINIMUM.
  - RECOMMENDED HAND CRIMP TOOL FOR CONTACTS M80-338/339 = Z80-294 AND POSITIONER Z80-295.
  - RECOMMENDED HAND CRIMP TOOL FOR INNER CONTACT = Z80-292 WITH POSITIONER Z80-291. RECOMMENDED HAND CRIMP TOOL AND DIE SET FOR SLEEVE = Z80-293.
  - INSTRUCTION SHEETS ARE AVAILABLE.

RA	A	26.02.10	----
NAME	ISS.	DATE	C/NOTE
APPROVED:		R.ADDE	
CHECKED:		M.G.PLESTED	
DRAWN:		R.ADDE	
CUSTOMER REF.:			
ASSEMBLY DRG:			

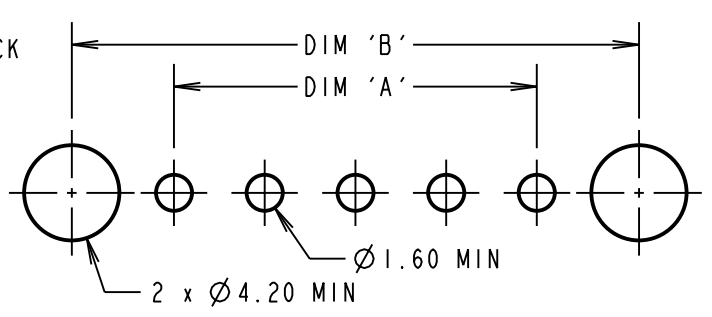
<b>HARWIN</b>			TOLERANCES X. = ±1mm X.X = ±0.25mm X.XX = ±0.10mm X.XXX = ±0.01mm ANGLES = ±5° UNLESS STATED	MATERIAL: SEE ABOVE FINISH: SEE ABOVE S/AREA: mm <sup>2</sup>	TITLE: JACKSCREW DATAMATE MIXED TECHNOLOGY MALE ASSEMBLY DRAWING NUMBER: <b>M80-5000000MB-XX-XXX-00-000</b>	SHT 3 OF 4
HARWIN USA TEL: 603 893 5376 FAX: 603 893 5396 mis@harwin.com	HARWIN Europe (UK) TEL: 023 9231 4545 FAX: 023 9231 4590 mis@harwin.co.uk	HARWIN Asia TEL: +65 6 779 4909 FAX: +65 6 779 3868 mis@harwin.com.sg				

# Customer Information Sheet

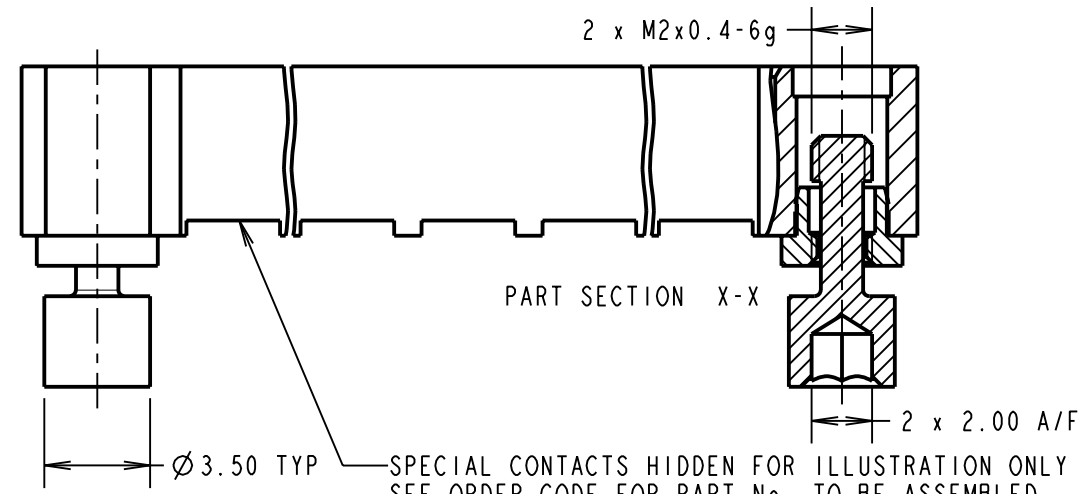
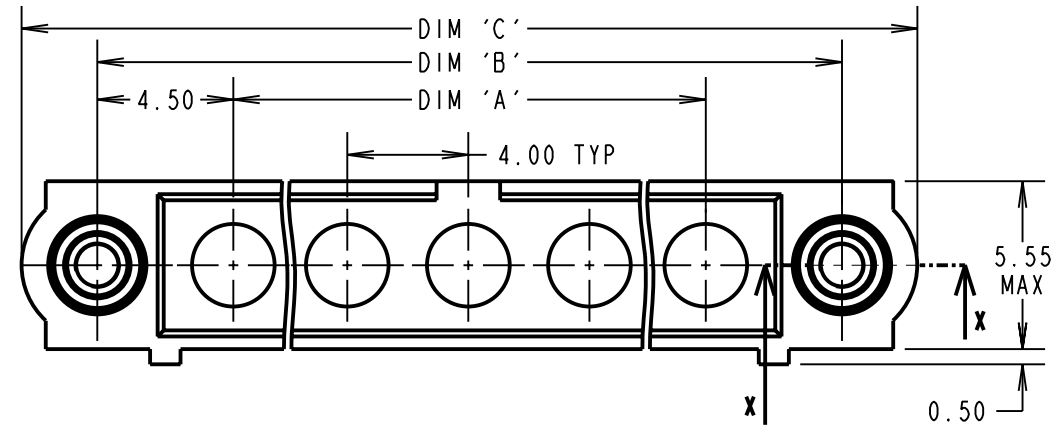
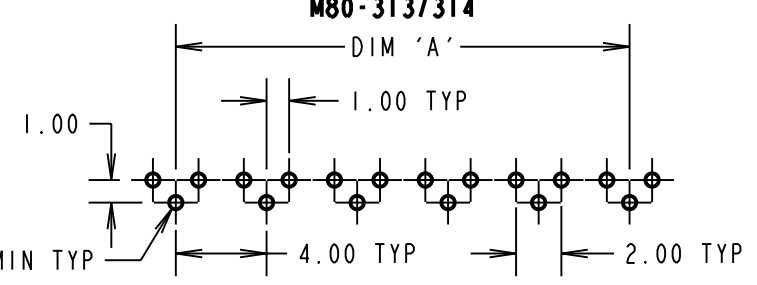
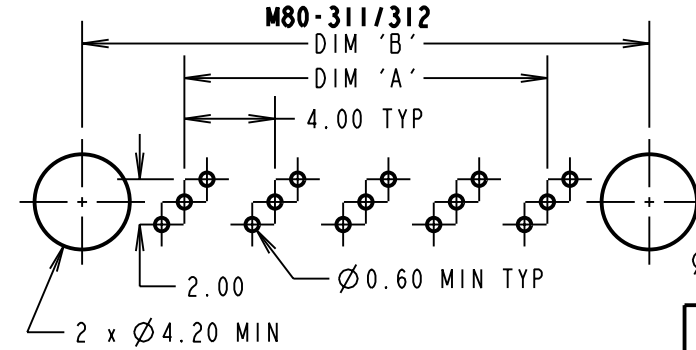
## SPECIFICATIONS:

**MATERIAL:**  
 MOULDING: GLASS FILLED PPS, UL94V-0, BLACK  
**COAX & POWER CONTACT:**  
 BODY, INNER CONTACT, = COPPER ALLOY  
 INSULATOR = PTFE  
**JACKSCREW: STAINLESS STEEL**  
**FINISH:**  
 COAX & POWER CONTACT:  
 BODY, INNER CONTACT, = GOLD  
**ELECTRICAL:**  
 WORKING VOLTAGE = 120V AC/DC  
 VOLTAGE PROOF = 360V AC/DC  
 INSULATION RESISTANCE = 100MΩ MIN  
**POWER CONTACT:**  
 CONTACT RESISTANCE 6mΩ MAX  
 CURRENT RATING = 20A MAX  
**COAX CONTACT:**  
 FREQUENCY RANGE = 6GHz  
 IMPEDANCE = 50 Ω  
 V.S.W.R = 1.05 + (0.04 x FREQUENCY) GHz MAX  
 CONTACT RESISTANCE 6 mΩ MAX  
 INSULATION RESISTANCE = 10<sup>6</sup>MΩ @250V AC  
 OPERATING VOLTAGE = 180V AC @ 500mA  
 MAXIMUM VOLTAGE = 1000V AC  
**MECHANICAL:**  
 DURABILITY = 500 OPERATIONS  
**COAX & POWER CONTACT:**  
 INSERTION FORCE = 5N MAX  
 WITHDRAWAL FORCE = 0.5N MIN  
**ENVIRONMENTAL:**  
 TEMPERATURE RANGE = -55°C TO +125°C  
**PACKING:**  
 TUBE  
 FOR COMPLETE SPECIFICATION SEE COMPONENT SPECIFICATION C005XX (LATEST ISSUE)

RECOMMENDED PCB LAYOUT FOR ALL POWER ONLY



RECOMMENDED PCB LAYOUTS FOR ALL COAX CONTACTS ONLY



<p>M80-311/312 x No. OF CONTACTS</p> <p>5.60 MAX DIM 'D'</p> <p><b>ALL COAX CONTACTS ONLY</b></p>	<p>M80-313/314 x No. OF CONTACTS</p> <p>5.60 MAX DIM 'E'</p> <p><b>ALL HORIZ' COAX CONTACTS ONLY</b></p>
<p>M80-331/332 x No. OF CONTACTS</p> <p>5.60 MAX DIM 'F'</p> <p><b>ALL POWER CONTACTS ONLY</b></p>	<p>M80-333/334 x No. OF CONTACTS</p> <p>5.60 MAX DIM 'G'</p> <p><b>ALL HORIZ' POWER CONTACTS ONLY</b></p>

- NOTES:**  
 1. FOR EXAMPLE OF ALL COAX SPECIAL CONTACTS ORDER CODE SEE EXAMPLE 1 IN TABLE.  
 2. FOR EXAMPLE OF ALL POWER SPECIAL CONTACTS ORDER CODE SEE EXAMPLE 2 IN TABLE.

DIMENSION	CALCULATION
DIM 'A'	4 x No. OF CONTACTS - 4.00
DIM 'B'	4 x No. OF CONTACTS + 5.00
DIM 'C'	4 x No. OF CONTACTS + 10.00
DIM 'D'	M80-311 = 3.0mm, M80-312 = 4.5mm
DIM 'E'	M80-313 = 3.0mm, M80-314 = 4.5mm
DIM 'F'	M80-331 = 3.5mm, M80-332 = 5.0mm
DIM 'G'	M80-333 = 3.0mm, M80-334 = 4.5mm

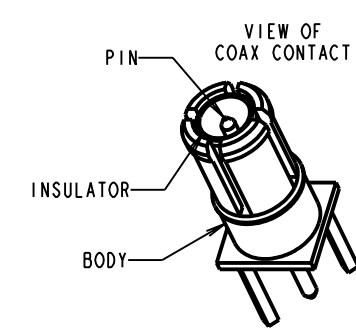
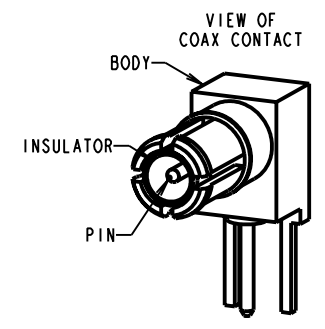
**EXAMPLE 1: CONNECTOR WITH 08 COAX CONTACTS,**  
 M80-5000000MB-08-311-00-000  
 DIM 'A' = 28.00mm, DIM 'B' = 37.00mm, DIM 'C' = 42.00mm  
 DIM 'D' = 3.0mm

**EXAMPLE 2: CONNECTOR WITH 10 POWER CONTACTS,**  
 M80-5000000MB-10-334-00-000  
 DIM 'A' = 36.00mm, DIM 'B' = 45.00mm, DIM 'C' = 50.00mm  
 DIM 'G' = 4.5mm

**ORDER CODE: (PC TAIL CONTACTS ONLY)**  
**M80-5000000MB-XX-XXX-00-000**

TOTAL No. OF CONTACTS  
 02 TO 12

**SPECIAL CONTACTS (PC TAIL)**  
 311 = COAX CONTACT 3.0mm PC TAIL M80-311  
 312 = COAX CONTACT 4.5mm PC TAIL M80-312  
 313 = COAX CONTACT 3.0mm HORIZ' PC TAIL M80-313  
 314 = COAX CONTACT 4.5mm HORIZ' PC TAIL M80-314  
 331 = POWER CONTACT 3.5mm VERT' PC TAIL M80-331  
 332 = POWER CONTACT 5.0mm VERT' PC TAIL M80-332  
 333 = POWER CONTACT 3.0mm HORIZ' PC TAIL M80-333  
 334 = POWER CONTACT 4.5mm HORIZ' PC TAIL M80-334



**HARWIN**

HARWIN USA TEL: 603 893 5376 FAX: 603 893 5396 mis@harwin.com	HARWIN Europe (UK) TEL: 023 9231 4545 FAX: 023 9231 4590 mis@harwin.co.uk	HARWIN Asia TEL: +65 6 779 4909 FAX: +65 6 779 3868 mis@harwin.com.sg
--	--	--

THIS DRAWING AND ANY INFORMATION OR DESCRIPTIVE MATTER SET OUT HEREON ARE CONFIDENTIAL AND COPYRIGHT PROPERTY OF THE HARWIN GROUP AND MUST NOT BE DISCLOSED, LOANED, COPIED OR USED FOR MANUFACTURING, TENDERING OR FOR ANY OTHER PURPOSE WITHOUT THEIR WRITTEN PERMISSION.

**TOLERANCES**  
 X. = ±1mm  
 X.X = ±0.25mm  
 X.XX = ±0.10mm  
 X.XXX = ±0.01mm  
**ANGLES = ±5°**  
**UNLESS STATED**

**MATERIAL:**  
 SEE ABOVE  
**FINISH:** SEE ABOVE  
**S/AREA:** mm<sup>2</sup>

**TITLE:** JACKSCREW DATAMATE MIXED TECHNOLOGY MALE ASSEMBLY  
**DRAWING NUMBER:** M80-5000000MB-XX-XXX-00-000  
 RA A 26.02.10 ----  
 NAME ISS. DATE C/NOTE  
 APPROVED: R.ADDE  
 CHECKED: M.G.PLESTED  
 DRAWN: R.ADDE  
 CUSTOMER REF.:  
 ASSEMBLY DRG:  
 SHT 4 OF 4