

Military 20-Pin PAL Devices

Features

- Register and combinatorial outputs
- Variety of speed/power options
- Registers with feedback
- Programmable three-state outputs
- Security fuse prevents duplication of logic
- Through-hole or surface mount device packaging
- Neutron fluence (permanent damage): 1×10^{13} N/cm²
- Dose rate (transient upset) junction isolated Bipolar processes: 2×10^{10} RADs (Si) per sec recovered in 50 to 70 μ s from a 1 μ s pulse

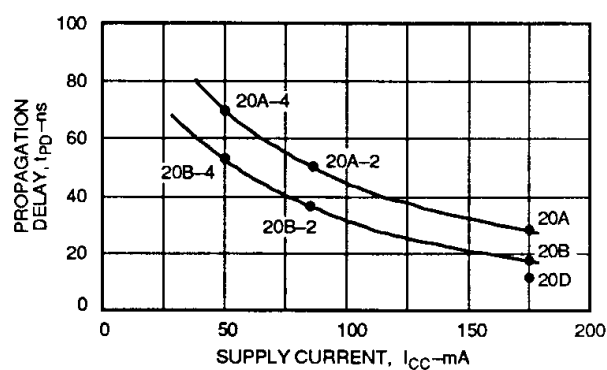
Benefits

- Instant prototyping/zero NRE charge
- Low-cost programmable replacement for TTL logic
- Reduces inventory by reducing chip count
- Programmable on standard PROM/PAL device programmers
- Several software programs available to assist in creating bit pattern design

Applications

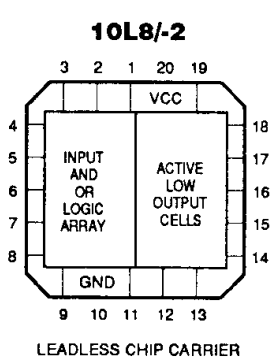
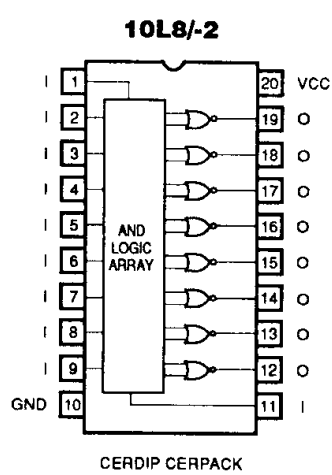
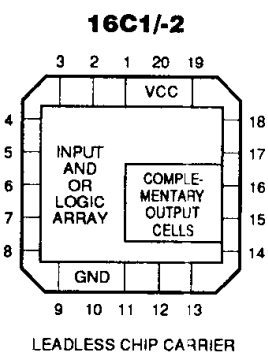
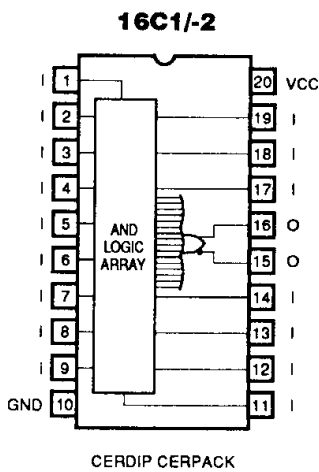
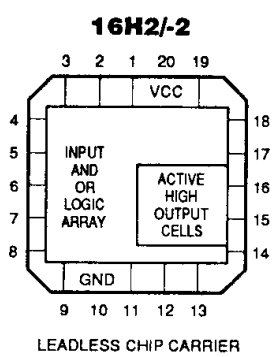
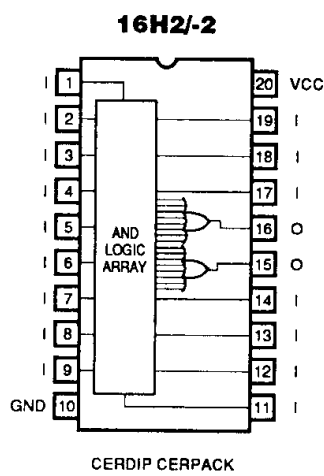
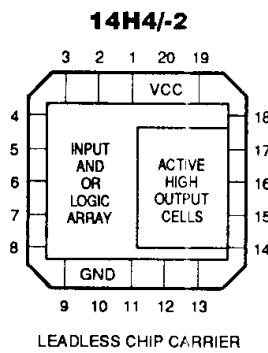
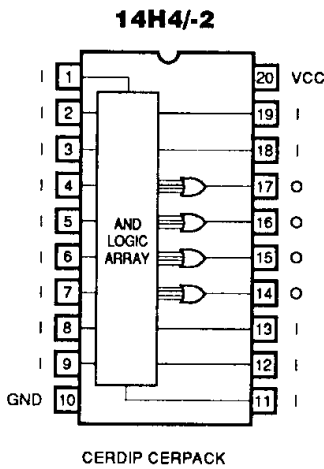
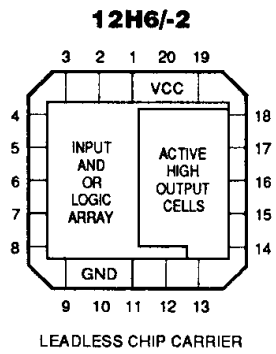
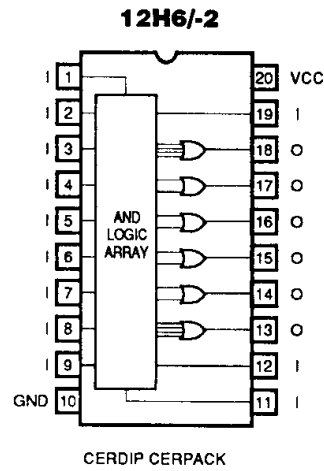
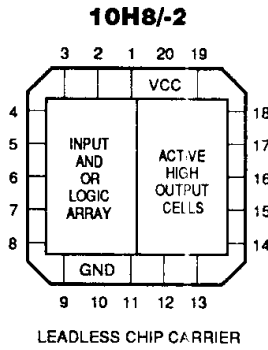
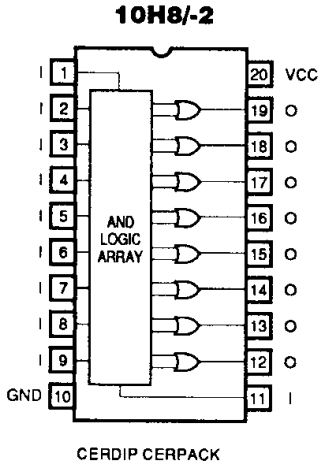
- High speed graphic controllers
- High speed computers
- High frequency state machines
- High frequency counters
- Microprocessor clock generation and interface logic

20-Pin PAL Device Speed vs Power



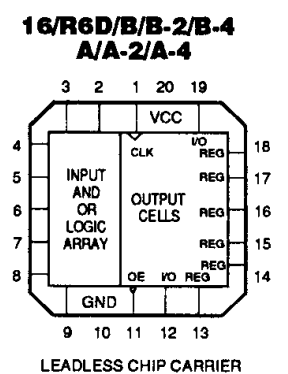
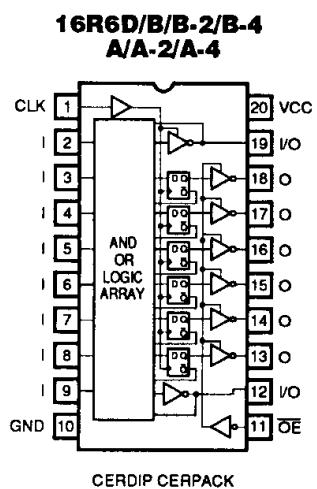
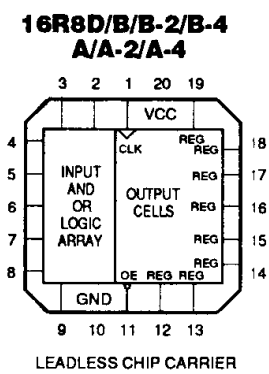
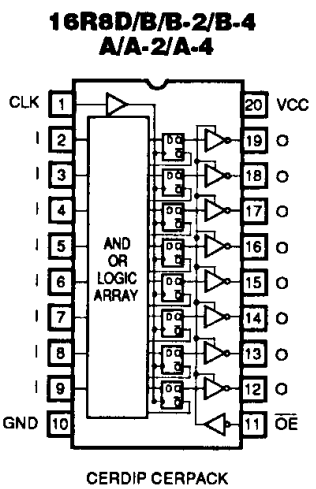
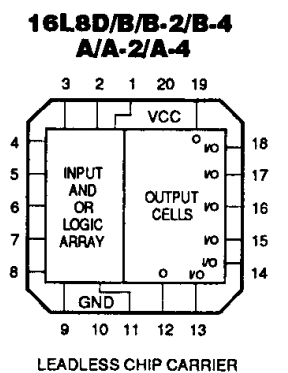
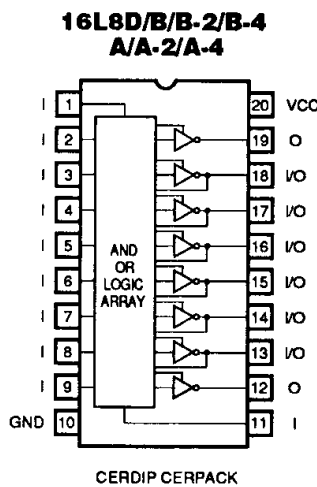
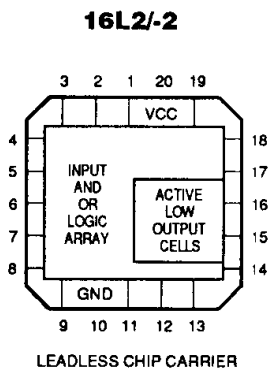
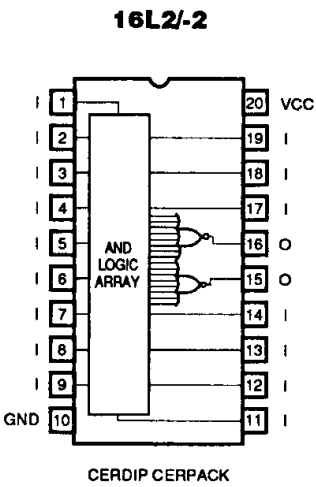
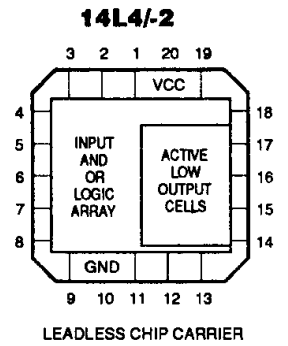
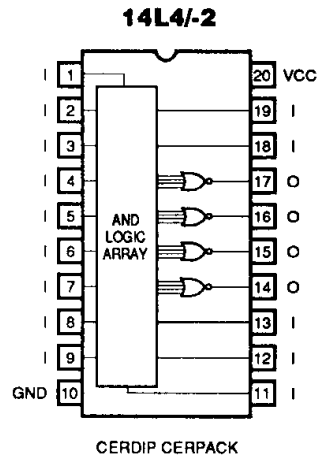
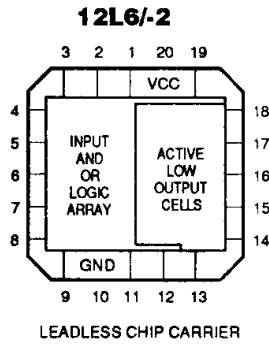
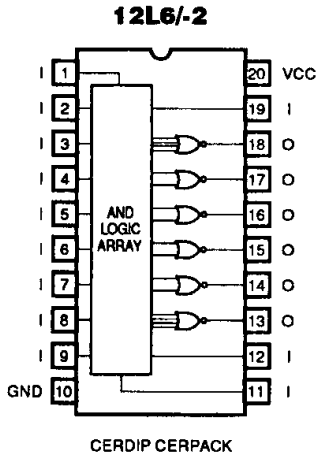
503 102

Military 20-Pin PAL Device Pinouts



503 103

Military 20-Pin PAL Device Pinouts

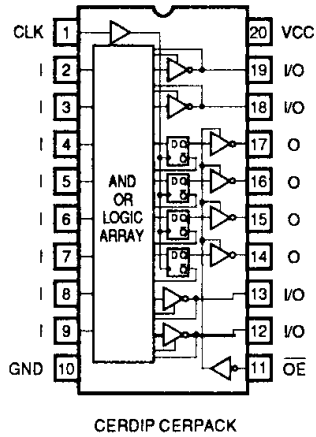


503 115

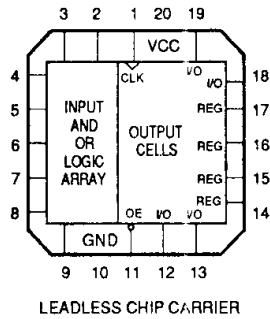
5

Military 20-Pin PAL Device Pinouts

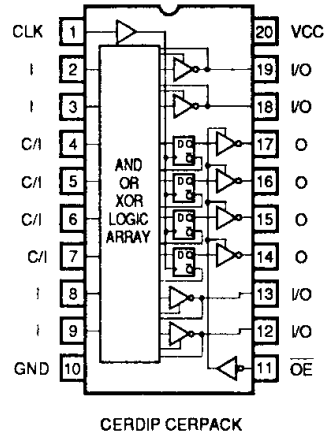
**16R4D/B/B-2/B-4
A/A-2/A-4**



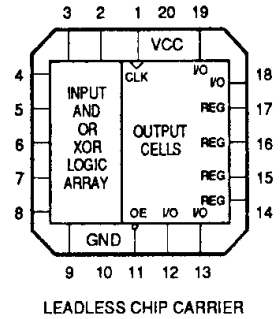
**16R4D/B/B-2/B-4
A/A-2/A-4**



16X4



16X4



503 127

Military 20-Pin PAL Devices

Absolute Maximum Ratings

	Operating
Supply voltage, VCC	-0.5 V to 7 V
Input voltage range	-1.5 V to 5.5 V
Off-state output voltage	5.5 V
Storage temperature	-65°C to +150°C
Maximum junction temperature (T _j)	175°C
Lead temperature (soldering, 10 sec max)	300°C
Maximum current density 5x10 ⁻⁵ A/cm ² per Mil-M-38510	< 5x10 ⁻⁵ A/cm ²
Maximum θ_{jc} = 28°C/W for cerdips per Mil-M-38510	< 28°C/W
Maximum θ_{jc} = 22°C/W for flatpacks per Mil-M-38510	< 22°C/W
Maximum θ_{jc} = 20°C/W for leadless chip carrier per Mil-M-38510	< 20°C/W

Military 20-Pin PAL Devices

Military Standard 20-Pin PAL Series

PAL10H8, 12H6, 14H4, 16H2, 16C1, 10L8, 12L6, 14L4, 16L2

Can be purchased to standard military drawings 81035, latest revision in effect.

Military 20-Pin Half-Power PAL Series

PAL10H8-2, 12H6-2, 14H4-2, 16H2-2, 16C1-2, 10L8-2, 12L6-2, 14L4-2, 16L2-2

Operating Conditions

SYMBOL	PARAMETER	MIN	MAX	UNIT
V_{CC}	Supply voltage	4.5	5.5	V
T_A	Operating free-air temperature	-55		°C
T_C	Operating case temperature		125	°C
V_{IL}^*	Low-level input voltage		≤0.8	V
V_{IH}^*	High-level input voltage	≥2.0		V

Note: Virgin array verify of unprogrammed PAL device is performed at 25°C only.

* These are absolute voltages with respect to the ground pin on the device and include all overshoots due to system and/or tester noise.

Electrical Characteristics Over Operating Conditions

SYMBOL	PARAMETER	TEST CONDITIONS		MIN	MAX	UNIT
V_{IC}	Input clamp voltage	$V_{CC} = \text{MIN}$	$I_I = -18 \text{ mA}$		-1.5	V
I_{IL}	Low-level input current	$V_{CC} = \text{MAX}$	$V_I = 0.4 \text{ V}$		-0.25	mA
I_{IH}	High-level input current	$V_{CC} = \text{MAX}$	$V_I = 2.4 \text{ V}$		25	μA
I_I	Maximum input current	$V_{CC} = \text{MAX}$	$V_I = 5.5 \text{ V}$		1	mA
V_{OL}	Low-level output voltage	$V_{CC} = \text{MIN}$	10H8, 12H6, 14H4, 16H2, 16C1, 10L8, 12L6, 14L4, 16L2		0.5	V
		$I_{OL} = 4 \text{ mA}$ $I_{OH} = -2 \text{ mA}$	10H8-2, 12H6-2, 14H4-2, 16H2-2, 16C1-2, 10L8-2, 12L6-2, 14L4-2, 16L2-2			
V_{OH}	High-level output voltage	$V_{CC} = \text{MIN}$	10H8, 12H6, 14H4, 16H2, 16C1, 10L8, 12L6, 14L4, 16L2	2.4		V
		$I_{OH} = -1 \text{ mA}$ $I_{OH} = -2 \text{ mA}$	10H8-2, 12H6-2, 14H4-2, 16H2-2, 16C1-2, 10L8-2, 12L6-2, 14L4-2, 16L2-2			
I_{OS}^*	Output short-circuit current	$V_{CC} = 5\text{V}$	$V_O = 0.5 \text{ V}$	-30	-130	mA
I_{CC}	Supply current	$V_{CC} = \text{MAX}$	10H8, 12H6, 14H4, 16H2, 16C1, 10L8, 12L6, 14L4, 16L2		90	mA
			10H8-2, 12H6-2, 14H4-2, 16H2-2, 16C1-2, 10L8-2, 12L6-2, 14L4-2, 16L2-2		45	

* Not more than one output should be shorted at a time and duration of the short circuit should not exceed one second.

Military 20-Pin PAL Devices

Military Standard 20-Pin PAL Series

PAL10H8, 12H6, 14H4, 16H2, 16C1, 10L8, 12L6, 14L4, 16L2

Military 20-Pin Half-Power PAL Series

PAL10H8-2, 12H6-2, 14H4-2, 16H2-2, 16C1-2, 10L8-2, 12L6-2,
14L4-2, 16L2-2

Switching Characteristics Over Operating Conditions

SYMBOL	PARAMETER		TEST CONDITIONS	MIN	MAX	UNIT
t_{PD}	Input or feedback to output	10H8, 12H6, 14H4, 16H2, 16C1, 10L8, 12L6, 14L4, 16L2	$R_1 = 560 \Omega$ $R_2 = 1.1 K\Omega$		45	ns
		10H8-2, 12H6-2, 14H4-2, 16H2-2, 16C1-2, 10L8-2, 12L6-2, 14L4-2, 16L2-2	$R_1 = 1.12 K\Omega$ $R_2 = 2.2 K\Omega$		80	ns

Programmed devices conform to Mil-Std-883, Method 5005, Group A, Subgroups 1, 2, 3, 7, 8, 9, 10, and 11.

Military 20-Pin PAL Devices

Military Ultra High Speed 20-Pin PAL Series

PAL16L8D, 16R8D, 16R6D, 16R4D

Can be purchased to standard military drawing 5962-85155, latest revision in effect.

Military Very High Speed 20-Pin PAL Series

PAL16L8B, 16R8B, 16R6B, 16R4B

Can be purchased to standard military drawing 5962-85155, latest revision in effect.

Military High Speed 20-Pin PAL Series

PAL16L8A, 16R8A, 16R6A, 16R4A

Can be purchased to standard military drawing 81036, latest revision in effect.

Operating Conditions

SYMBOL	PARAMETER	20 D		20 B		20 A		UNIT
		MIN	MAX	MIN	MAX	MIN	MAX	
V_{CC}	Supply voltage	4.5	5.5	4.5	5.5	4.5	5.5	V
T_A	Operating free-air temperature	-55		-55		-55		°C
T_C	Operating case temperature		125		125		125	°C
t_w^\dagger	Width of clock (except 16L8)	Low	12	12		20		ns
		High	8	12		20		
t_{su}^\dagger	Set up time from input or feedback to clock (except 16L8)	15		20		30		ns
t_h^\dagger	Hold time	0		0		0		ns
V_{IL}^*	Low-level input voltage		≤0.8		≤0.8		≤0.8	V
V_{IH}^*	High-level input voltage	≥2.0		≥2.0		≥2.0		V

Note: Virgin array verify of unprogrammed PAL device is performed at 25°C only.

* These are absolute voltages with respect to the ground pin on the device and include all overshoots due to system and/or tester noise.

† These are device set-up conditions, which are measured during initial qualification, and are not directly tested.

Electrical Characteristics Over Operating Conditions

SYMBOL	PARAMETER	TEST CONDITIONS		MIN	MAX	UNIT
V_{IC}	Input clamp voltage	$V_{CC} = \text{MIN}$	$I_I = -18 \text{ mA}$		-1.5	V
I_{IL}^*	Low-level input current	$V_{CC} = \text{MAX}$	$V_I = 0.4 \text{ V}$		-0.25	mA
I_{IH}^*	High-level input current	$V_{CC} = \text{MAX}$	$V_I = 2.4 \text{ V}$		25	μA
I_I	Maximum input current	$V_{CC} = \text{MAX}$	$V_I = 5.5 \text{ V}$		1	mA
V_{OL}	Low-level output voltage	$V_{CC} = \text{MIN}$	$I_{OL} = 12 \text{ mA}$		0.5	V
V_{OH}	High-level output voltage	$V_{CC} = \text{MIN}$	$I_{OH} = -2 \text{ mA}$	2.4		V
I_{OZL}^*	Off-state output current	$V_{CC} = \text{MAX}$	$V_O = 0.4 \text{ V}$		-100	μA
I_{OZH}^*			$V_O = 2.4 \text{ V}$		100	μA
I_{OS}^{**}	Output short-circuit current	$V_{CC} = 5 \text{ V}$	$V_O = 0.5 \text{ V}$	-30	-130	mA
I_{CC}	Supply current	$V_{CC} = \text{MAX}$			180	mA

* I/O pin leakage is worst case of IIX or IOZX; i.e., IIL and IOZH.

** Not more than one output should be shorted at a time and duration of the short circuit should not exceed one second.

Military Ultra High Speed 20-Pin PAL Series**PAL16L8D, 16R8D, 16R6D, 16R4D****Military Very High Speed 20-Pin PAL Series****PAL16L8B, 16R8B, 16R6B, 16R4B****Military High Speed 20-Pin PAL Series****PAL16L8A, 16R8A, 16R6A, 16R4A****Switching Characteristics** Over Operating Conditions

SYMBOL	PARAMETER	TEST CONDITIONS	20 D		20 B		20 A		UNIT
			MIN	MAX	MIN	MAX	MIN	MAX	
t_{PD}	Input or feedback to output (except 16R8)	$R_1 = 390 \Omega$ $R_2 = 750 \Omega$		15		20		30	ns
t_{CLK}	Clock to output or feedback (except 16L8)			12		15		20	ns
t_{PZX}	Pin 11 to output enable (except 16L8)			12		20		25	ns
t_{PXZ}	Pin 11 to output disable (except 16L8)			10		20		25	ns
t_{PZX}	Input to output enable (except 16R8)			17		25		30	ns
t_{PXZ}	Input to output disable (except 16R8)			13		20		30	ns
f_{MAX}^*	State machine maximum operating frequency (except 16L8)			37		28.5		20	MHz
	Data path register maximum operating frequency (except 16L8)			50		41.6		25	

* f_{MAX} is calculated and measured on initial qualifications only.

$$f_{MAX} \text{ (state machine)} = 1/[t_{su} + t_{clk}]$$

$$f_{MAX} \text{ (data path register)} = 1/[t_{wl} + t_{wh}] \text{ or } 1/[t_{su} + t_r], \text{ whichever is smaller.}$$

Programmed devices conform to Mil-Std-883, Method 5005, Group A, Subgroups 1,2,3,7,8,9,10 and 11.

Military Half-Power 20B-Pin Series

PAL16L8B-2, 16R8B-2, 16R6B-2, 16R4B-2

Can be purchased to standard military drawing 5962-85155, latest revision in effect.

Military Half-Power 20A-Pin Series

PAL16L8A-2, 16R8A-2, 16R6A-2, 16R4A-2

Can be purchased to standard military drawing 81036, latest revision in effect.

Operating Conditions

SYMBOL	PARAMETER	20 B-2		20 A-2		UNIT
		MIN	MAX	MIN	MAX	
V_{CC}	Supply voltage	4.5	5.5	4.5	5.5	V
T_A	Operating free-air temperature	-55		-55	125	°C
T_C	Operating case temperature		125			°C
t_w^\dagger	Width of clock (except 16L8)	Low	20	25		ns
		High	20	25		
t_{w^\dagger}	Set up time from input or feedback to clock (except 16L8)	30		50		ns
t_h^\dagger	Hold time	0		0		ns
V_{IL}^*	Low-level input voltage		≤0.8		≤0.8	V
V_{IH}^*	High-level input voltage	≥2.0		≥2.0		V

Note: Virgin array verify of unprogrammed PAL device is performed at 25°C only.

* These are absolute voltages with respect to the ground pin on the device and include all overshoots due to system and/or tester noise.

† These are device set-up conditions, which are measured during initial qualification, and are not directly tested.

Electrical Characteristics Over Operating Conditions

SYMBOL	PARAMETER	TEST CONDITIONS		MIN	MAX	UNIT
V_{IC}	Input clamp voltage	$V_{CC} = \text{MIN}$	$I_I = -18 \text{ mA}$		-1.5	V
I_{IL}^*	Low-level input current	$V_{CC} = \text{MAX}$	$V_I = 0.4 \text{ V}$		-0.25	mA
I_{IH}^*	High-level input current	$V_{CC} = \text{MAX}$	$V_I = 2.4 \text{ V}$		25	μA
I_I	Maximum input current	$V_{CC} = \text{MAX}$	$V_I = 5.5 \text{ V}$		1	mA
V_{OL}	Low-level output voltage	$V_{CC} = \text{MIN}$	$I_{OL} = 12 \text{ mA}$		0.5	V
V_{OH}	High-level output voltage	$V_{CC} = \text{MIN}$	$I_{OH} = -2 \text{ mA}$	2.4		V
I_{OZL}^*	Off-state output current	$V_{CC} = \text{MAX}$	$V_O = 0.4 \text{ V}$		-100	μA
I_{OZH}^*			$V_O = 2.4 \text{ V}$		100	
I_{OS}^{**}	Output short-circuit current	$V_{CC} = 5 \text{ V}$	16L8B-2, 16R8B-2, 16R6B-2, 16R4B-2		-250	mA
		$V_O = 0.5 \text{ V}$	16L8A-2, 16R8A-2, 16R6A-2, 16R4A-2	-30	-130	
I_{CC}	Supply current	$V_{CC} = \text{MAX}$			90	mA

* I/O pin leakage is worst case of IIX or IOZX; i.e., IIL and IOZH.

** Not more than one output should be shorted at a time and duration of the short circuit should not exceed one second.

Military Half-Power 20B-Pin Series

PAL16L8B-2, 16R8B-2, 16R6B-2, 16R4B-2

Can be purchased to standard military drawing 5962-85155, latest revision in effect.

Military Half-Power 20A-Pin Series

PAL16L8A-2, 16R8A-2, 16R6A-2, 16R4A-2

Can be purchased to standard military drawing 81036, latest revision in effect.

Switching Characteristics Over Operating Conditions

SYMBOL	PARAMETER	TEST CONDITIONS	20 B-2		20 A-2		UNIT
			MIN	MAX	MIN	MAX	
t_{PD}	Input or feedback to output (except 16L8)	$R_1 = 390 \Omega$ $R_2 = 750 \Omega$		30		50	ns
t_{CLK}	Clock to output or feedback (except 16L8)			20		25	ns
t_{PZX}	Pin 11 to output enable (except 16L8)			25		25	ns
t_{PXZ}	Pin 11 to output disable (except 16L8)			25		25	ns
t_{PZX}	Input to output enable (except 16R8)			30		45	ns
t_{PXZ}	Input to output disable (except 16R8)			30		45	ns
f_{MAX}^{**}	State machine maximum operating frequency (except 16L8)			20		13.3	MHz
	Data path register maximum operating frequency (except 16L8)			25		20	

* f_{MAX} is calculated and measured on initial qualifications only.

$$f_{MAX} \text{ (state machine)} = 1/[t_{su} + t_{CLK}]$$

$$f_{MAX} \text{ (data path register)} = 1/[t_{WL} + t_{WH}] \text{ or } 1/[t_{su} + t_h], \text{ whichever is smaller.}$$

Programmed devices conform to Mil-Std-883, Method 5005, Group A, Subgroups 1,2,3,7,8,9,10 and 11.

Military Quarter-Power 20B-Pin Series

PAL16L8B-4, 16R8B-4, 16R6B-4, 16R4B-4

Can be purchased to standard military drawing 5962-88515 latest revision in effect.

Military Quarter-Power 20A-Pin Series

PAL16L8A-4, 16R8A-4, 16R6A-4, 16R4A-4

Can be purchased to standard military drawing 85065 latest revision in effect.

Operating Conditions

SYMBOL	PARAMETER		20 B-4		20 A-4		UNIT
			MIN	MAX	MIN	MAX	
V_{CC}	Supply voltage		4.5	5.5	4.5	5.5	V
T_A	Operating free-air temperature		-55		-55	125	°C
T_C	Operating case temperature			125			°C
t_w^\dagger	Width of clock (except 16L8)	Low	25		40		ns
		High	25		40		
t_{su}	Set up time from input or feedback to clock (except 16L8)		50		90		ns
t_h^\dagger	Hold time		0		0		ns
V_{IL}^*	Low-level input voltage			≤0.8		≤0.8	V
V_{IH}^*	High-level input voltage		≥2.0		≥2.0		V

Note: Virgin array verify of unprogrammed PAL device is performed at 25°C only.

* These are absolute voltages with respect to the ground pin on the device and include all overshoots due to system and/or tester noise.

† These are device set-up conditions, which are measured during initial qualification, and are not directly tested.

Electrical Characteristics Over Operating Conditions

SYMBOL	PARAMETER	TEST CONDITIONS		MIN	MAX	UNIT
V_{IC}	Input clamp voltage	$V_{CC} = \text{MIN}$	$I_I = -18 \text{ mA}$		-1.5	V
I_{IL}^*	Low-level input current	$V_{CC} = \text{MAX}$	$V_I = 0.4 \text{ V}$		-0.25	mA
I_{IH}^*	High-level input current	$V_{CC} = \text{MAX}$	$V_I = 2.4 \text{ V}$		25	μA
I_I	Maximum input current	$V_{CC} = \text{MAX}$	$V_I = 5.5 \text{ V}$		1	mA
V_{OL}	Low-level output voltage	$V_{CC} = \text{MIN}$	$I_{OL} = 4 \text{ mA}$		0.5	V
V_{OH}	High-level output voltage	$V_{CC} = \text{MIN}$	$I_{OH} = -1 \text{ mA}$	2.4		V
I_{OZL}^*	Off-state output current	$V_{CC} = \text{MAX}$	$V_O = 0.4 \text{ V}$		-100	μA
I_{OZH}^*			$V_O = 2.4 \text{ V}$		100	
I_{OS}^{**}	Output short-circuit current	$V_{CC} = 5 \text{ V}$	16L8B-4, 16R8B-4, 16R6B-4, 16R4B-4		-250	mA
		$V_{CC} = 0.5 \text{ V}$	16L8A-4, 16R8A-4, 16R6A-4, 16R4A-4	-30	-130	
I_{CC}	Supply current	$V_{CC} = \text{MAX}$	16L8A-4, 16R8A-4, 16R6A-4, 16R4A-4		50	mA
			16L8B-4, 16R8B-4, 16R6B-4, 16R4B-4		55	

* I/O pin leakage is worst case of IIX or IOZX; i.e., IIL and IOZH.

** Not more than one output should be shorted at a time and duration of the short circuit should not exceed one second.

Military 20-Pin PAL Devices

Military Quarter-Power 20B-Pin Series

PAL16L8B-4, 16R8B-4, 16R6B-4, 16R4B-4

Military Quarter-Power 20A-Pin Series

PAL16L8A-4, 16R8A-4, 16R6A-4, 16R4A-4

Switching Characteristics Over Operating Conditions

SYMBOL	PARAMETER	TEST CONDITIONS	20 B-4		20 A-4		UNIT
			MIN	MAX	MIN	MAX	
t_{PD}	Input or feedback to output (except 16R8)	$R_1 = 800 \Omega$ $R_2 = 1.56 K\Omega$		50		75	ns
t_{CLK}	Clock to output or feedback (except 16L8)			25		45	ns
t_{PXZ}	Pin 11 to output enable(except 16L8)			25		40	ns
t_{PXZ}	Pin 11 to output disable (except 16L8)			25		40	ns
t_{PZX}	Input to output enable (except 16R8)			45		65	ns
t_{PXZ}	Input to output disable (except 16R8)			45		65	ns
f_{MAX}^*	State machine maximum operating frequency (except 16L8)			13.3		7.4	MHz
	Data path register maximum operating frequency (except 16L8)		20		12.5		

* f_{MAX} is calculated and measured on initial qualifications only.

$$f_{MAX} \text{ (state machine)} = 1/[t_{su} + t_{clk}]$$

$$f_{MAX} \text{ (data path register)} = 1/[t_{wl} + t_{wh}] \text{ or } 1/t_{su} + t_h, \text{ whichever is smaller.}$$

Programmed devices conform to Mil-Std-883, Method 5005, Group A, Subgroups 1,2,3,7,8,9,10 and 11.

Military 20-Pin PAL Devices

Military Arithmetic 20-Pin PAL Series

PAL16X4

Operating Conditions

SYMBOL	PARAMETER		MIN	MAX	UNIT
V_{CC}	Supply voltage		4.5	5.5	V
T_A	Operating free-air temperature		-55		°C
T_c	Operating case temperature			125	°C
t_w^\dagger	Width of clock	Low	25		ns
		High	25		
t_{su}^\dagger	Set up time from input or feedback to clock		55		ns
t_h^\dagger	Hold time		0		ns
V_{L}^*	Low-level input voltage			≤0.8	V
V_{IH}^*	High-level input voltage		≥2.0		V

Note: Virgin array verify of unprogrammed PAL device is performed at 25°C only.

* These are absolute voltages with respect to the ground pin on the device and include all overshoots due to system and/or tester noise.

† These are device set-up conditions, which are measured during initial qualification, and are not directly tested.

Electrical Characteristics Over Operating Conditions

SYMBOL	PARAMETER	TEST CONDITIONS		MIN	MAX	UNIT
V_{IC}	Input clamp voltage	$V_{CC} = \text{MIN}$	$I_I = -18 \text{ mA}$		-1.5	V
I_{IL}^*	Low-level input current	$V_{CC} = \text{MAX}$	$V_I = 0.4 \text{ V}$		-0.25	mA
I_{IH}^*	High-level input current	$V_{CC} = \text{MAX}$	$V_I = 2.4 \text{ V}$		25	μA
I_I	Maximum input current	$V_{CC} = \text{MAX}$	$V_I = 5.5 \text{ V}$		1	mA
V_{OL}	Low-level output voltage	$V_{CC} = \text{MIN}$	$I_{OL} = 12 \text{ mA}$		0.5	V
V_{OH}	High-level output voltage	$V_{CC} = \text{MIN}$	$I_{OH} = -2 \text{ mA}$	2.4		V
I_{OZL}^*	Off-state output current	$V_{CC} = \text{MAX}$	$V_O = 0.4 \text{ V}$		-100	μA
I_{OZH}^*			$V_O = 2.4 \text{ V}$		100	μA
I_{OS}^{**}	Output short-circuit current	$V_{CC} = 5 \text{ V}$	$V_O = 0.5 \text{ V}$	-30	-130	mA
I_{CC}	Supply current	$V_{CC} = \text{MAX}$	16X 4		225	mA

* I/O pin leakage is worst case of IIX or IOZX; i.e., IIL and IOZH.

** Not more than one output should be shorted at a time and duration of the short circuit should not exceed one second.

Military 20-Pin PAL Devices

Military Arithmetic 20-Pin PAL Devices

PAL16X4

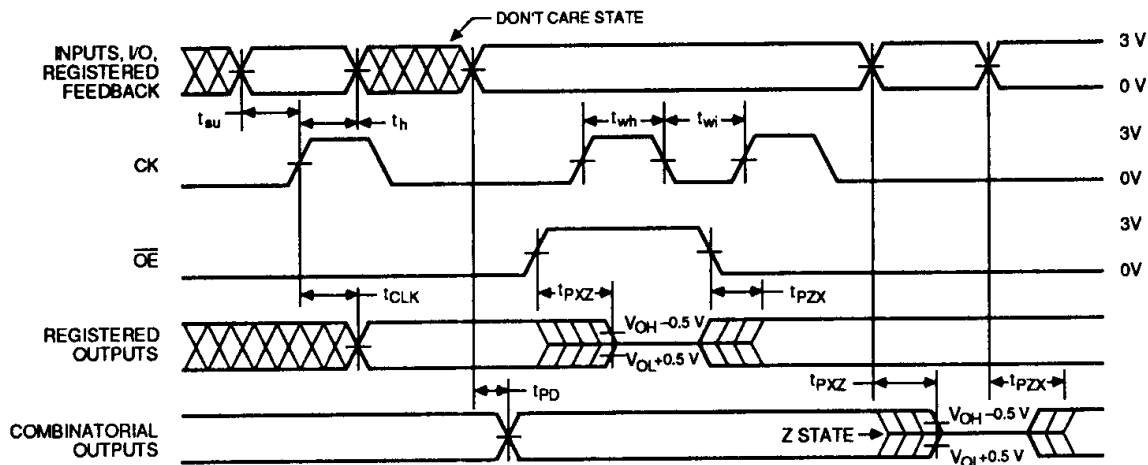
Switching Characteristics Over Operating Conditions

SYMBOL	PARAMETER	TEST CONDITIONS	MIN	MAX	UNIT
t_{PD}	Input or feedback to output	$R_1 = 200 \Omega$ $R_2 = 390 \Omega$		45	ns
t_{CLK}	Clock to output or feedback			25	ns
t_{PZX}	Pin 11 to output enable			25	ns
t_{PXZ}	Pin 11 to output disable			25	ns
t_{PZX}	Input to output enable			45	ns
t_{PXZ}	Input to output disable			45	ns
f_{MAX}	Maximum frequency			12.5	

Programmed devices conform to Mil-Std-883, Method 5005, Group A, Subgroups 1,2,3,7,8,9,10 and 11.

Military 20-Pin PAL Devices

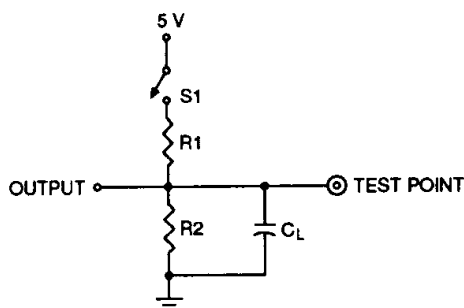
Switching Waveforms



503 133

- Notes:
1. t_{pd} is tested with switch S_1 closed. $C_L = 50$ pF and measured at 1.5 V output level.
 2. t_{pzx} is measured at the 1.5 V level with $C_L = 50$ pF. S_1 is open for high impedance to "1" test, and closed for high impedance to "0" test.
 3. t_{pzx} is tested with $C_L = 5$ pF. S_1 is open for "1" to high impedance test, measured $V_{OH} - 0.5 V$ output level. S_1 is closed for "0" to high impedance test measured to $V_{OL} + 0.5 V$ output level.
 4. Equivalent test loads may be used on automatic test equipment.

Test Load



503 194

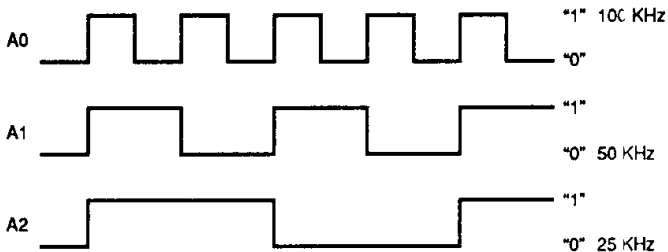
Military 20-Pin PAL Devices

Life Test/Burn-In Circuits

Complies with Mil-Std-883, Method 1005/1015, Condition D.

Circuit Configurations

Waveforms

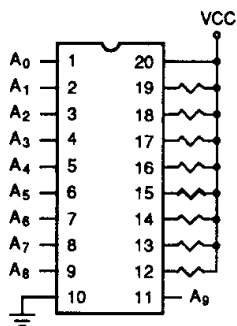


A3 to Ax Follow in order

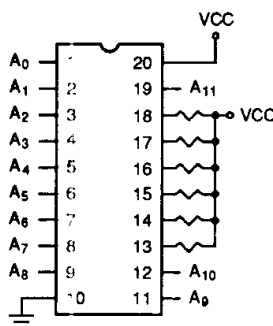
503 134

- All Burn-In will be accomplished at 125° C +5/-0°C
- $V_{CC} = 5.25 \text{ Volts} \pm 0.25 \text{ V}$
- All clocks (A0 to Ax) are square wave signals, 50±15% Duty Cycle, with:
 - "0" = -0.5 V to +0.7 V
 - "1" = +2.4 V to V_{CC}
 - Rise Time (+0.7 V to +2.4 V) < 1 μsec
 - Fall Time (+2.4 V to +0.7 V) < 1 μsec
- Resistor Value
330 Ω or 470 Ω ±5%
- All Board Components to be compatible with 150°C Ambient (Min).

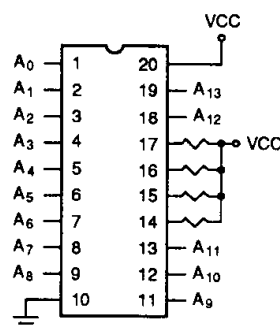
PAL10H8/H8-2
PAL10L8/L8-2



PAL12H6/H6-2
PAL12L6/L6-2



PAL14H4/H4-2
PAL14L4/L4-2



503 135

5

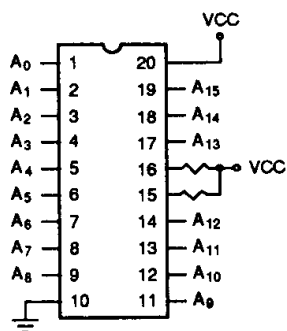
Military 20-Pin PAL Devices

Life Test/Burn-In Circuits

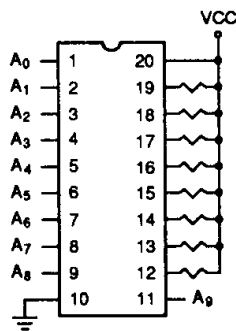
Complies with Mil-Std-883, Method 1005/1015, Condition D.

Circuit Configurations

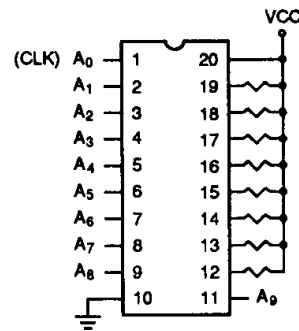
PAL16H2/H2-2
PAL16L2/L2-2
PAL16C1/C1-2



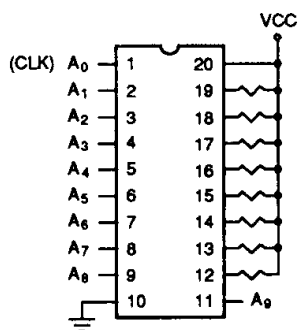
PAL16L8A/B/D
PAL16L8A-2/B-2
PAL16L8A-4/B-4



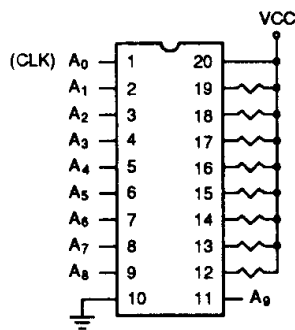
PAL16R8A/B/D
PAL16R8A-2/B-2
PAL16R8A-4/B-4



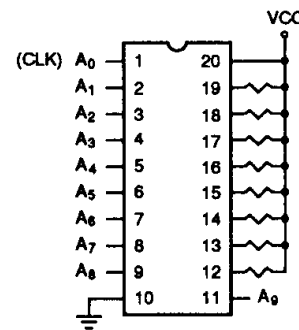
PAL16R6A/B/D
PAL16R6A-2/B-2
PAL16R6A-4/B-4



PAL16R4A/B/D
PAL16R4A-2/B-2
PAL16R4A-4/B-4



PAL16A4
PAL16X4



503 138