

Features

- For use in cable-to-panel applications
- Designed for medium duty
- Plug prongs are .313" (7.94mm) wide and .094" (2.38mm) thick
- Polarized to prevent wrongway insertion
- Plugs have projecting flat blades, sockets have recessed twin bellows
- Cable clamps of zinc and clear irridite-plated steel used for strain relief
- Plugs and sockets have screw terminals

Accessories

Accessories for Series 500 Jones plugs and sockets, as well as polarizing patterns and panel cutout information are described on page 82.

Performance Data

Materials

Insulation Material: Molded monoblock, general purpose phenolic, black

Contact Material:

Plug: brass

Socket: phosphor bronze

Contact Plating: Cadmium

Operating Temperature: Up to + 105°C

Hood Material: Formed metal with dielectric liner in hood to prevent shorting

Electrical Characteristics

Withstanding Voltage: 3000 VAC rms (@ sea level)

Current Rating: 25 Amps per contact

Contact Resistance: 160 Milliohms maximum

Ordering Information

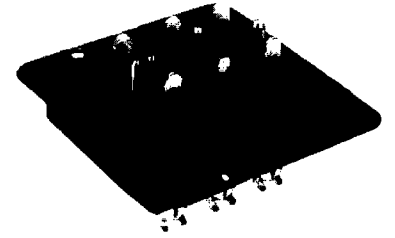
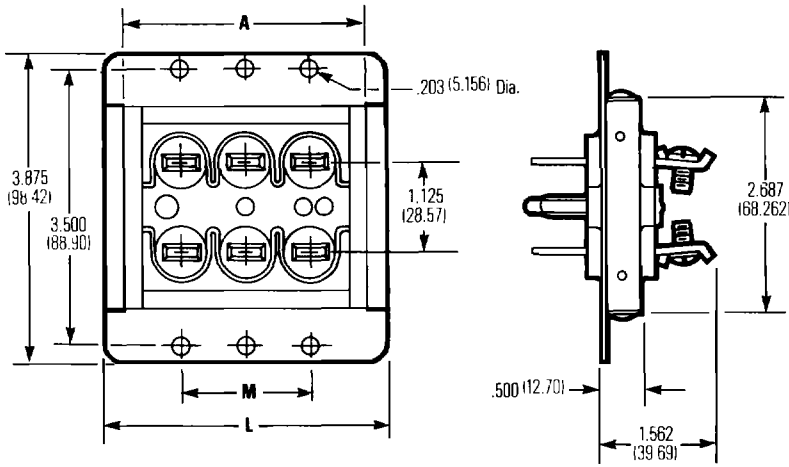
<p>P</p> <p> </p> <p>Contact Style</p> <p>P = Plug</p> <p>S = Socket</p>	<p>5</p> <p> </p> <p>Series Identifier</p> <p>5 = 500 Series</p>	<p>02</p> <p> </p> <p>No. of Contacts</p> <p>02</p> <p>04</p> <p>06</p> <p>08</p> <p>10</p> <p>12</p>	<p>-</p> <p> </p> <p>SB</p> <p>Mounting Configuration Suffix</p> <p>SB = Shallow Bracket</p> <p>DB = Deep Bracket</p> <p>CE = Cable End, 90°</p>
--	--	---	--

**Jones
Plugs/Sockets
Series 500**

Multiple Density
Screw Terminals
Shallow Bracket

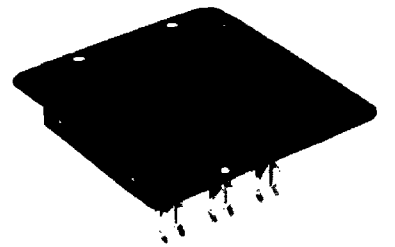
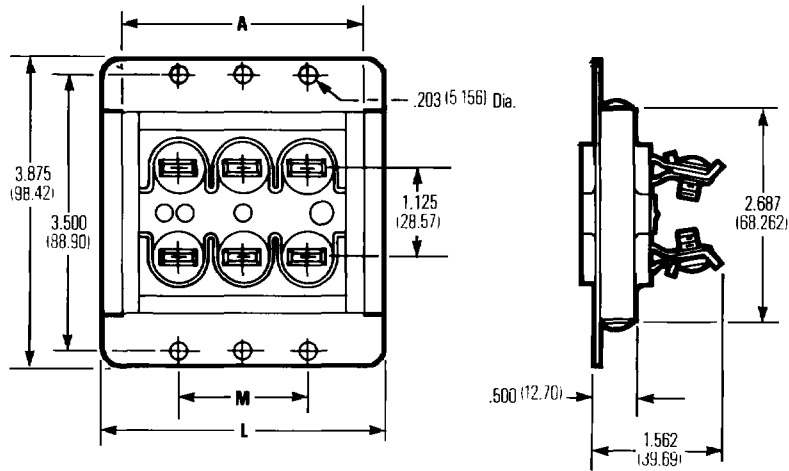
CINCH

Plug



Plug

Socket



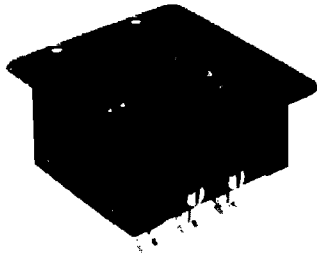
Socket

Dimensions

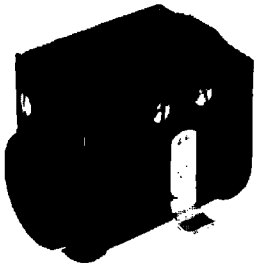
No. of Contacts	A		L		M	
	in	mm	in	mm	in	mm
2	1.500	38.10	1.938	49.23	—	—
4	1.313	33.35	2.750	69.85	.813	20.65
6	3.125	79.37	3.563	90.50	1.625	41.28
8	3.313	84.15	4.375	111.13	2.438	61.93
10	4.750	120.65	5.188	131.77	3.250	82.55
12	5.563	141.30	6.000	152.40	4.063	103.20

**Jones
Plugs/Sockets
Series 500**

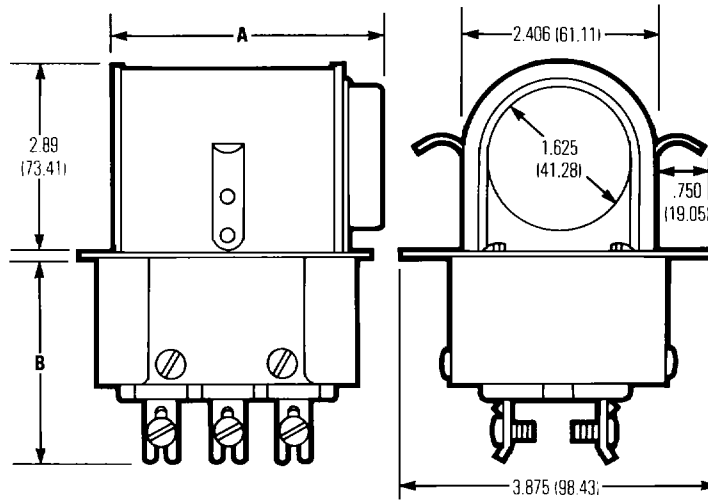
**Multiple Density
Screw Terminals
Deep Bracket**



Plug



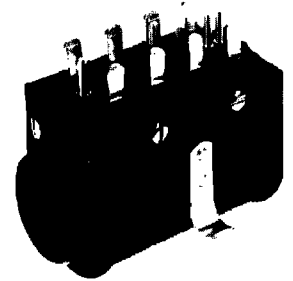
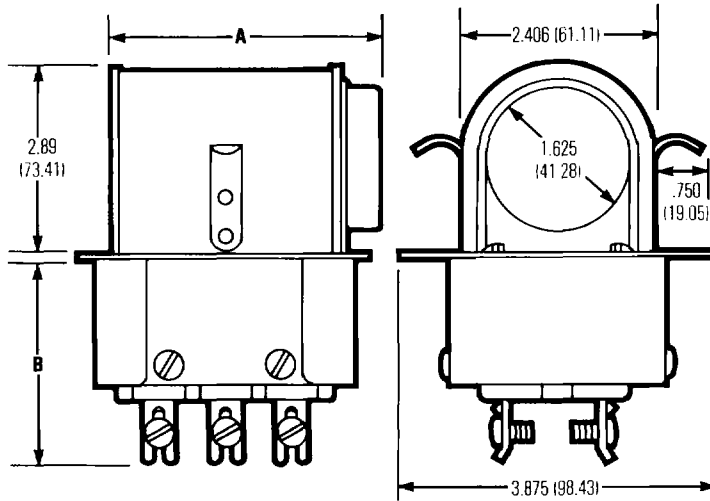
Socket



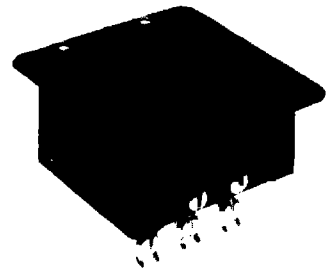
Dimensions

No. of Contacts	A		B	
	in	mm	in	mm
2 Plug	1.688	42.86	2.438	61.93
2 Socket	1.688	42.86	2.625	66.78
4 Plug	2.500	63.50	2.438	61.93
4 Socket	2.500	63.50	2.625	66.78
6 Plug	3.313	84.15	2.438	61.93
6 Socket	3.313	84.15	2.625	66.78
8 Plug	4.125	104.78	2.438	61.93
8 Socket	4.125	104.78	2.625	66.78
10 Plug	4.937	125.40	2.438	61.93
10 Socket	4.937	125.40	2.625	66.78
12 Plug	5.750	146.05	2.438	61.93
12 Socket	5.750	146.05	2.625	66.78

Drawing shows 90° clamp style plug or socket mated with deep bracket plug or socket



Plug

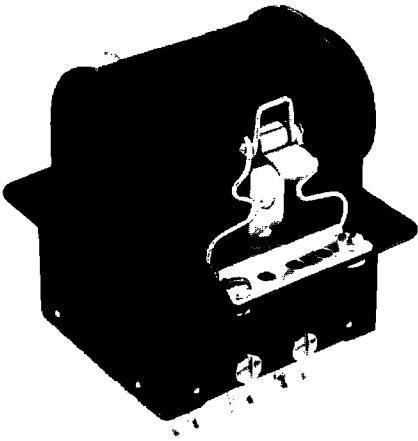


Socket

Dimensions

No. of Contacts	A		B	
	in	mm	in	mm
2 Plug	1.688	42.86	2.438	61.93
2 Socket	1.688	42.86	2.625	66.78
4 Plug	2.500	63.50	2.438	61.93
4 Socket	2.500	63.50	2.625	66.78
6 Plug	3.313	84.15	2.438	61.93
6 Socket	3.313	84.15	2.625	66.78
8 Plug	4.125	104.78	2.438	61.93
8 Socket	4.125	104.78	2.625	66.78
10 Plug	4.937	125.40	2.438	61.93
10 Socket	4.937	125.40	2.625	66.78
12 Plug	5.750	146.05	2.438	61.93
12 Socket	5.750	146.05	2.625	66.78

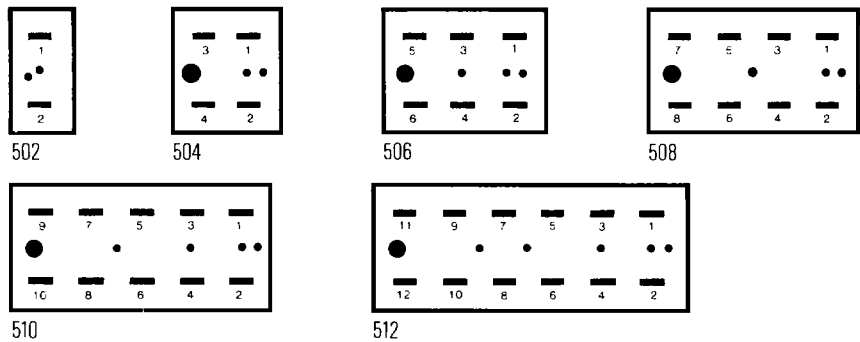
Drawing shows 90° clamp style plug or socket mated with deep bracket plug or socket



Lock fits any deep bracket and cap combination. It holds securely, but can be released instantly. The lock is fastened by the same screw or rivet that holds the deep bracket to the panel. Two locks are required. Cannot be used on shallow brackets.

Part No. 500-L

Polarizing Patterns For Series 500



Panel Cutouts For Series 500

