

Die: 2.2mmx1.45mmx0.102mm



Product Description

RFMD's SDA-5000 is a directly coupled (DC) GaAs microwave monolithic integrated circuit (MMIC) distributed driver amplifier designed to support a wide array of high frequency commercial, military, and space applications. They are ideal for wideband amplifier gain blocks, broadband test equipment (ATE), military, and aerospace applications.

Features

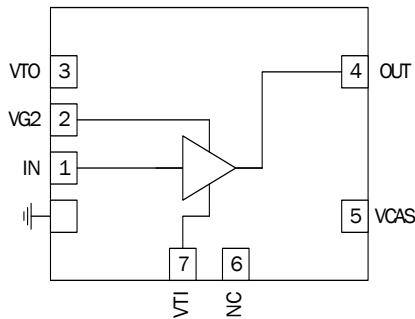
- DC to 35GHz Operation
- +17 dBm P_{3dB}
- Gain = 11.8dB Typical
- Noise Figure = 4dB
- Output Voltage to 8V_{pp}
- 100mA Total Current

Applications

- Instrumentation
- Military
- Aerospace
- Broadband ATE

Optimum Technology Matching® Applied

- GaAs HBT
- GaAs MESFET
- InGaP HBT
- SiGe BiCMOS
- Si BiCMOS
- SiGe HBT
- GaAs pHEMT
- Si CMOS
- Si BJT
- GaN HEMT
- InP HBT
- RF MEMS
- LDMOS



Parameter	Specification			Unit	Condition
	Min.	Typ.	Max.		
Electrical Specifications					TA = +25°C, V _{DD} = +8V _{DC} , VG2@ = +1.5V _{DC} , I _{DD} = 100mA*
Operating Frequency	0		35	GHz	3dB BW
Gain	10.8	11.8		dB	20GHz
IP3		25		dBm	P _{OUT} 0dBm, 20GHz
P1dB		15		dBm	20GHz
P _{3dB}		17.5		dBm	20GHz
Noise Figure at Mid-Band		4		dB	20GHz
Input Return Loss		16		dB	
Output Return Loss		15			
Supply Current		100		mA	
Supply Voltage		6.5		V _{DC}	

*Adjust VTI between -1.5V_{DC} to +0.2V_{DC} to achieve I_{DD} = 160mA typical., VG2 = 2.75V_{DC}

Absolute Maximum Ratings

Parameter	Rating	Unit
Drain Bias Voltage (V_{DD})	+8.0	V_{DC}
Gate Bias Voltage (V_{TI})	-2 to +0	V_{DC}
Gate Bias Voltage (V_{G2})	$(V_{DD}-8.0) V_{DC}$ to V_{DD}	V
RF Input Power ($V_{DD}=+8.0V_{DC}$)	15	dBm
Operating Junction Temperature (T_J)	+175	$^{\circ}C$
Continuous Power Dissipation ($T=+85^{\circ}C$)	750	mW
Thermal Resistance (Pad to Die Bottom)	116	$^{\circ}C/W$
Storage Temperature	-40 to +150	$^{\circ}C$
Operating Temperature	-40 to +85	$^{\circ}C$
ESD JESD22-A114 Human Body Model (HBM)	Class 0 (All Pads)	



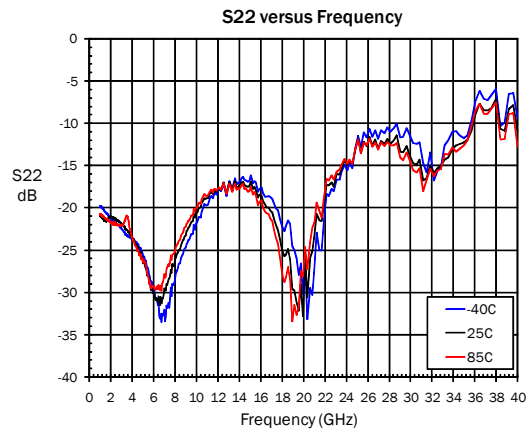
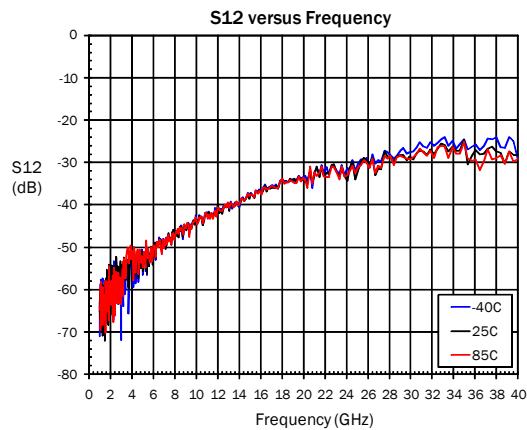
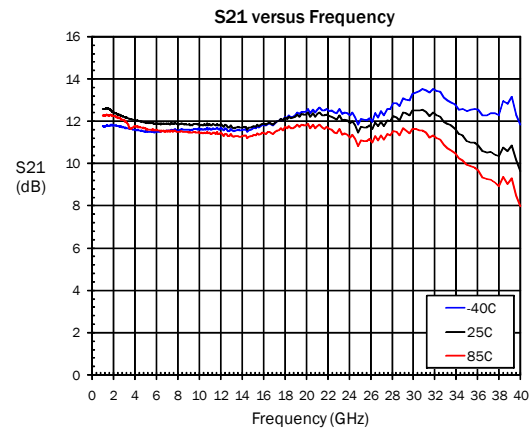
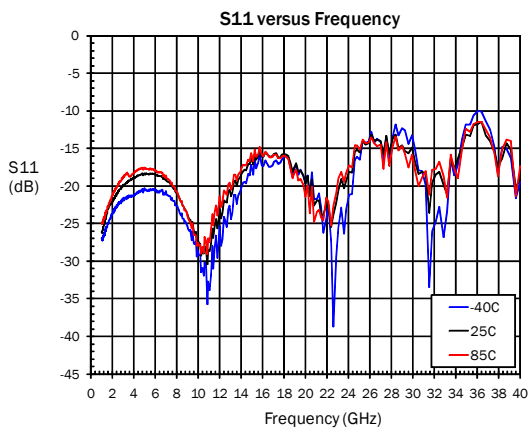
Caution! ESD sensitive device.

Exceeding any one or a combination of the Absolute Maximum Rating conditions may cause permanent damage to the device. Extended application of Absolute Maximum Rating conditions to the device may reduce device reliability. Specified typical performance or functional operation of the device under Absolute Maximum Rating conditions is not implied.

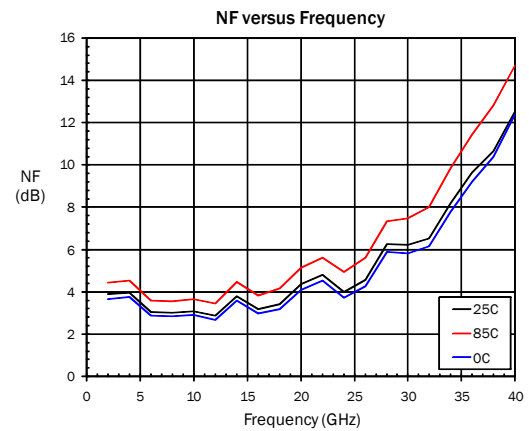
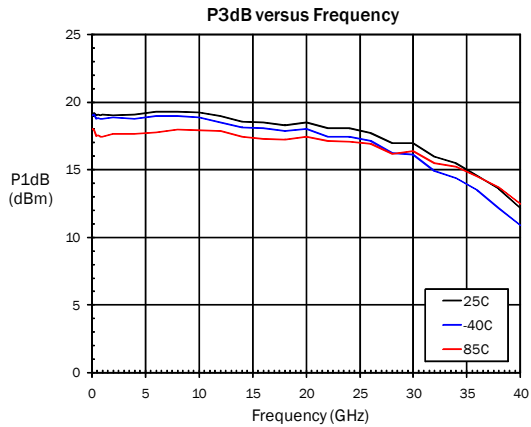
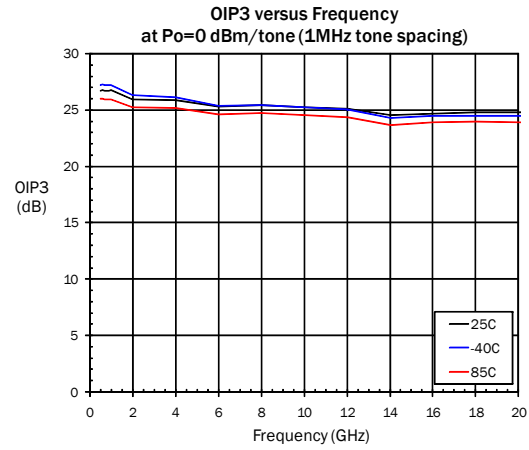
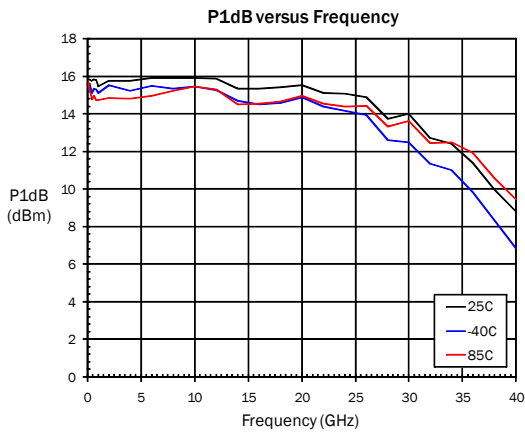
RoHS status based on EU Directive 2002/95/EC (at time of this document revision).

The information in this publication is believed to be accurate and reliable. However, no responsibility is assumed by RF Micro Devices, Inc. ("RFMD") for its use, nor for any infringement of patents, or other rights of third parties, resulting from its use. No license is granted by implication or otherwise under any patent or patent rights of RFMD. RFMD reserves the right to change component circuitry, recommended application circuitry and specifications at any time without prior notice.

Typical Electrical Performance

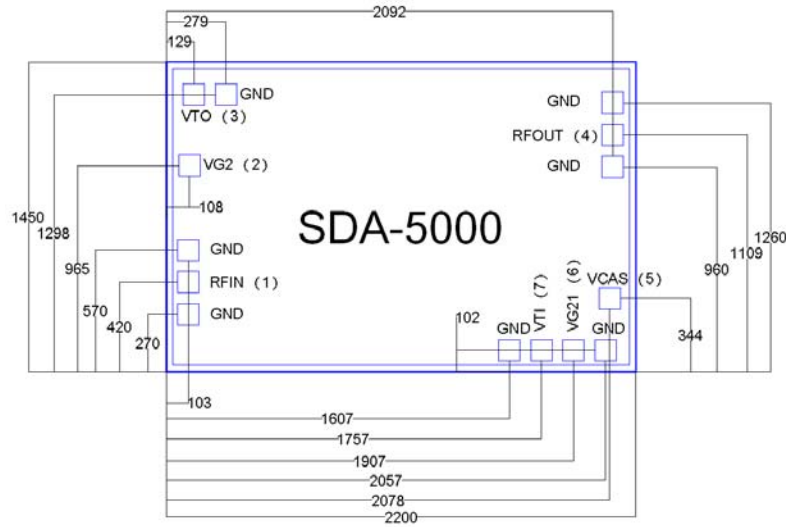


Typical Electrical Performance



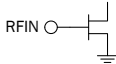
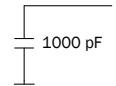
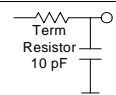
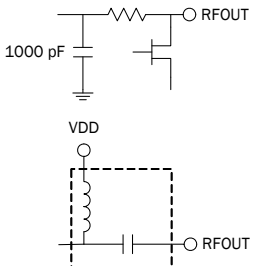
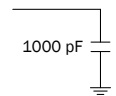
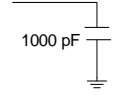
Package Drawing

Refer to drawing posted at www.rfmd.com for tolerances.

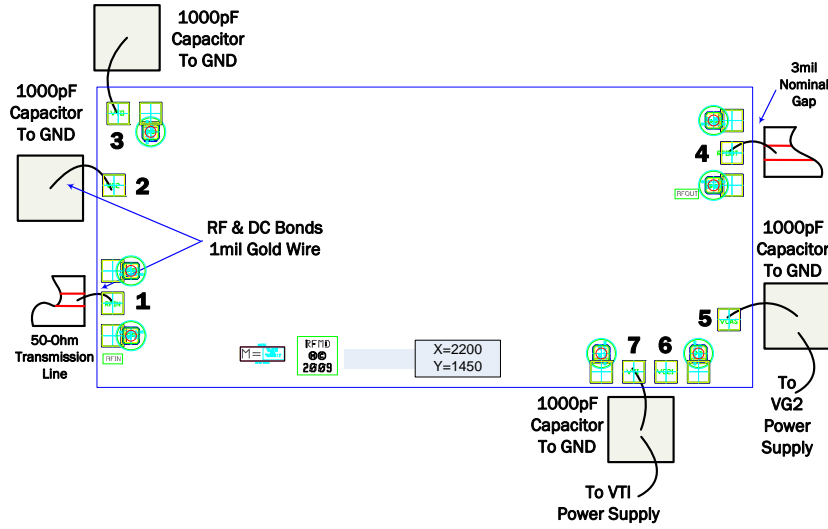


Notes:

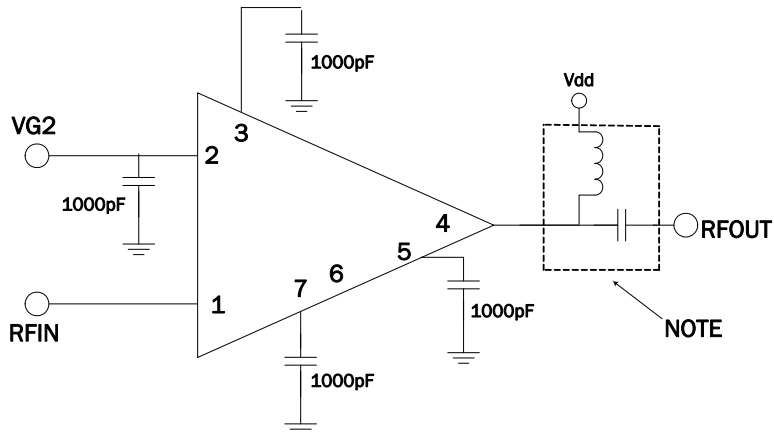
1. All dimensions in millimeters
2. No connection required for unlabeled bond pads
3. Die thickness is 0.102mm (4 MIL)
4. Typical bond pad is 0.100mm square
5. Backside metallization: gold
6. Backside metal is ground
7. Bond pad metallization: gold

Pin	Function	Description	Interface Schematic
1	RFIN	RF Input. This pad is DC coupled and matched to 50Ω from DC to 35GHz. 50Ω microstrip transmission line on 0.127 mm (5mil) thick alumina thin film substrate is recommended for RF input and output.	
2	VG2	VG2 is an optional pad. It may be used to bias the cascode gate of the amplifier. If this port is used, a 1000 pF bypass capacitor with the shortest wirebond length possible is recommended to prevent low frequency gain ripple.	
3	VTO	The output drain termination pad. This pad requires a suggested 1000pF bypass capacitor with the shortest wirebond length to prevent low frequency gain ripple. The value of the external capacitance limits the low frequency response of the amplifier.	
4	RFOUT and VDD	RF Output. 50Ω microstrip transmission line on 0.127 mm (5mil) thick alumina thin film substrate is recommended for RF input and output. Connect the DC bias (V_{DD}) network to provide drain current (I_{DD}).	 <p>Note: Drain Bias (VDD) must be applied through a broadband bias tee or external bias network</p>
5	VCAS	Provides VG2 gate voltage to the cascode amplifier. The value is $\sim (V_{CC}/2 - \text{absolute value of } V_{TI})$.	
6	VG21	Not connected.	
7	VTI	Input gate voltage, used to bias the amplifier. The value is between $-1.5V_{DC}$ (device is pinched OFF) to $+0.2V_{DC}$ (fully ON). This pad requires a bypass capacitor to ground with the shortest possible wirebond length to prevent low frequency gain ripple. The value of the external capacitance limits the low frequency response of the amplifier.	
Die	GND	Ground connection. Connect die bottom directly to ground plane for best performance. NOTE: The die should be connected directly to the ground plane with conductive epoxy.	

Assembly Diagram



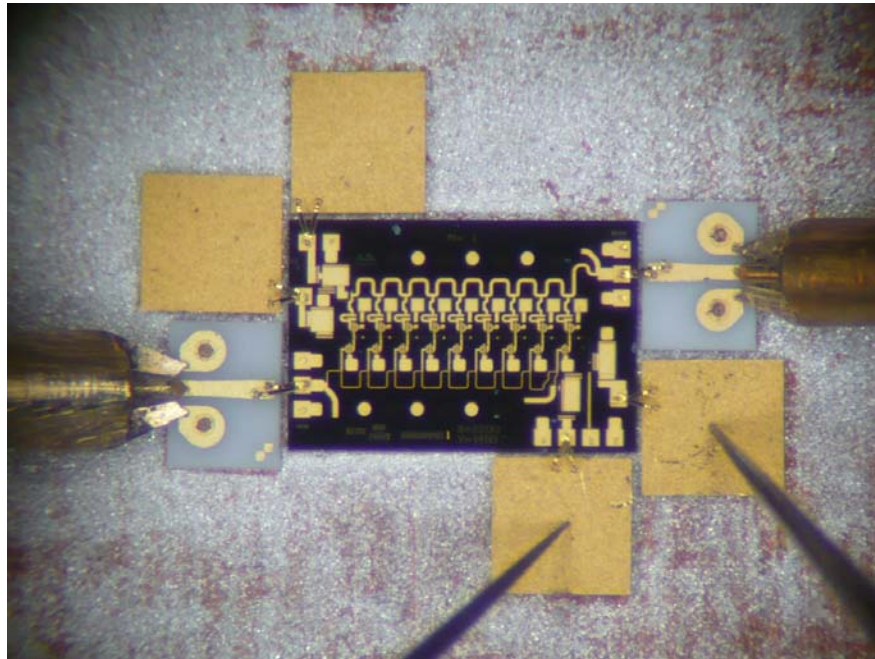
Application Circuit Schematic



NOTE: Drain Bias (Vdd) must be applied through a broadband bias tee or external bias network.

Measurement Technique

All specifications and typical performances reported in this document were measured in the following manner. Data was taken using a temperature controlled probe station utilizing 150µm pitch GSG probes. The interface between the probes and integrated circuit was made with a coplanar to microstrip ceramic test interface. The test interface was then wire bonded to the die as shown in the figure below using 1mil diameter bondwires. The spacing between the test interface and the die was 200µm, and the bond wire loop height was 100µm. The thickness of the test interface is 125µm (5mil). The calibration of the test fixture included the probes and test interfaces, so that the measurement reference plane was at the point of bond wire attachment. Therefore, all data represents the integrated circuit and accompanying bond wires.



Ordering Information

Part Number	Description	Delivery Method	Die/GelPak
SDA5000	GaAs Distributed Amplifier, 35GHz, 2.2mmx1.45mm Die	GelPak	10 pcs or more
SDA5000SB	GaAs Distributed Amplifier, 35GHz, 2.2mmx1.45mm Die	GelPak	2 pcs

SDA-5000

