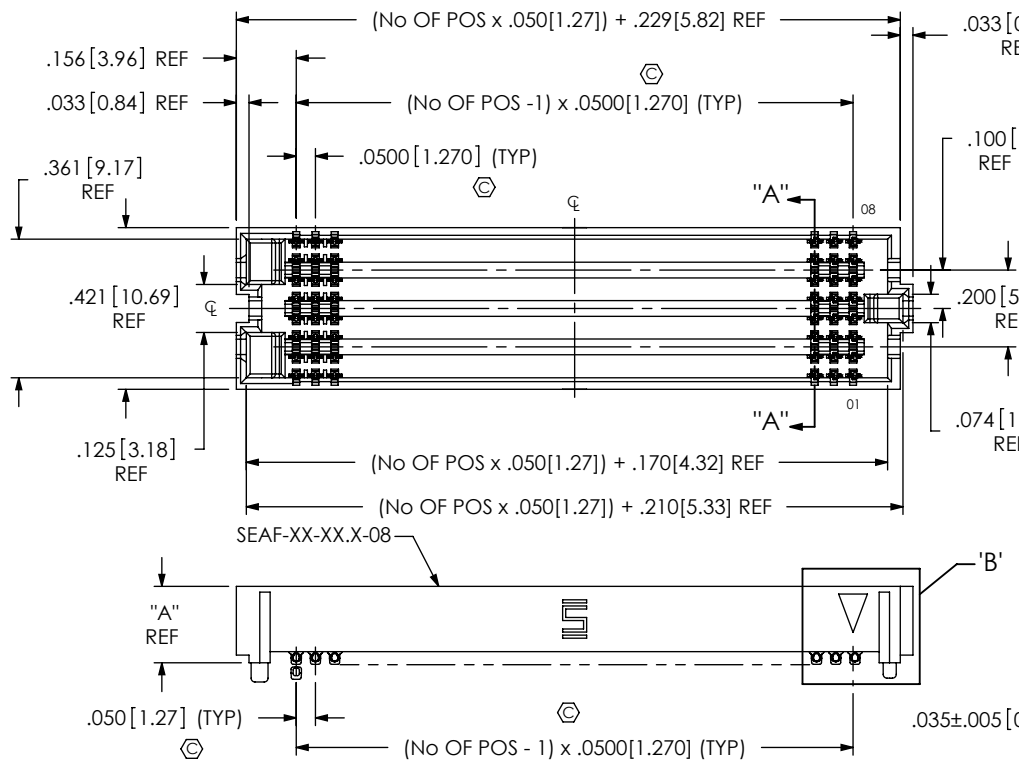


FIG. 1

-08: 8 ROW
(SEAF-30-05.0-XX-08-1-A-XX-K-TR SHOWN)
(ALL CONTACTS, POLYIMIDE NOT SHOWN FOR CLARITY)

DO NOT
SCALE FROM
THIS PRINT

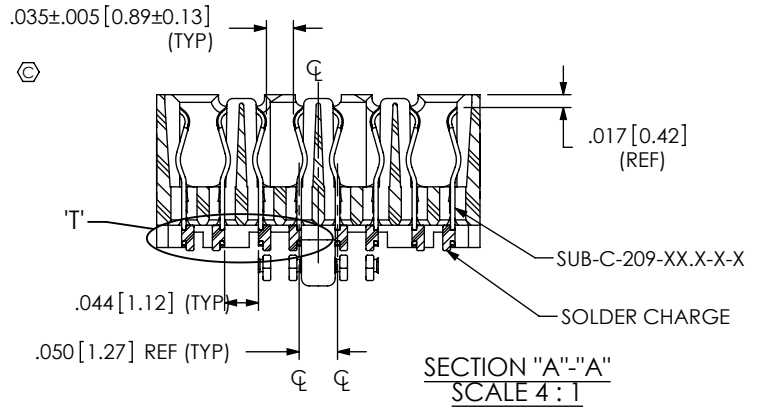
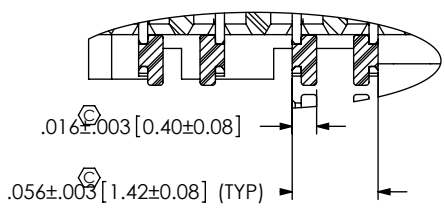


- SEAF-XX-XX.X-XX-XX-X-A-XX-K-TR**
- No OF POSITIONS: ****-10, ***-15, *****-19, -20, ☒-25, -30, -40, -50 (PER ROW)
 - LEAD STYLE:
 - 05.0: .199[5.06] HEIGHT
 - 06.0: .238[6.05] HEIGHT
 - 06.5: .258[6.55] HEIGHT
 - ☐-07.5: .297[7.54] HEIGHT
 - ** -08.0: .317[8.05] HEIGHT (SEE TABLE 1)
 - PLATING SPECIFICATION:
 - L: LIGHT GOLD IN CONTACT AREA, MATTE TIN ON TAIL (USE SUB-C-209-XX.X-L-X)
 - SM: SELECTIVE GOLD IN CONTACT AREA, MATTE TIN ON TAIL. (USE SUB-C-209-XX.X-S-X)
 - S: SELECTIVE GOLD IN CONTACT AREA, MATTE TIN ON TAIL. (USE SUB-C-209-XX.X-S-X)
 - ROW:
 - 04: 4 ROWS (SEE FIG. 12, SHT 5)
 - 05: 5 ROWS (SEE FIG. 6, SHT 3)
 - 06: 6 ROWS (SEE FIG. 5, SHT 3)
 - 08: 8 ROWS (SEE FIG. 1)
 - 10: 10 ROWS (SEE FIG. 2, SHT 2)
 - ** = NOT RELEASED FOR PRODUCTION.
 - *** = ONLY AVAILABLE WITH BODY HEIGHT -.05.0 AND -10 ROW.
 - ***** = 10 POSITION ONLY AVAILABLE IN 4 ROW
 - ☒ = ONLY AVAILABLE WITH -.06.5 LEAD STYLE AND -.06 ROW.
 - ☐ = ONLY AVAILABLE WITH -.06.5 LEAD STYLE AND -.04 ROW
 - ☐ = ONLY AVAILABLE WITH 30 POS & 4 ROW
 - TAPE & REEL (SEE NOTES 8, 9 & 10)
 - POLYIMIDE PAD (SEE FIG. 4, SHT 2) (SEE NOTE 7)
 - OPTION:
 - LP: LATCH POST OPTION (SEE FIG. 13, SHT 5) (ONLY AVAILABLE WITH -.05.0 LEAD STYLE, 6, & 8 ROWS)
 - ** -N: NOTCH (SEE FIG. 7, SHT 4) (ONLY AVAILABLE IN SEAF-30-05.0-XX-06-X-XX)
 - ALIGNMENT PIN (SEE FIG. 3, SHT 2) (SEE NOTE 6) (NOT AVAILABLE WITH -19 POSITION)
 - SOLDER COMPOSITION & STYLE:
 - 1: 63% TIN / 37% LEAD CHARGE TAIL (USE SUB-C-209-XX.X-S-1)
 - 2: 95.5% TIN / 3.8% SILVER / .7% COPPER CHARGE TAIL (USE SUB-C-209-XX.X-S-2)

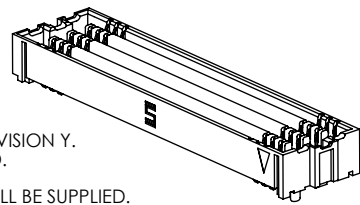
* = NOT TOOLED

SEAF LEAD STYLE	-02.0	-03.0	-03.5	-06.5	-07.0	-09.0	-11.0	* -13.0
-05.0	7mm	8mm	8.5mm	11.5mm	12mm	14mm	16mm	18mm
-06.0	8mm	9mm	9.5mm	12.5mm	13mm	15mm	17mm	19mm
-06.5	8.5mm	9.5mm	10mm	13mm	13.5mm	15.5mm	17.5mm	19.5mm
-07.5	9.5mm	10.5mm	11mm	14mm	14.5mm	16.5mm	18.5mm	20.5mm
-08.0	10mm	11mm	11.5mm	14.5mm	15mm	17mm	19mm	21mm

STYLE	"A"	BODY CALLOUT	CONTACT
-05.0	0.199 [5.05]	SEAF-XX-05.0-XX-X	SUB-C-209-05.0-X-X
-06.0	0.238 [6.05]	SEAF-XX-06.0-XX-X	SUB-C-209-06.0-X-X
-06.5	0.258 [6.55]	SEAF-XX-06.5-XX-X	SUB-C-209-06.5-X-X
-07.5	0.297 [7.54]	SEAF-XX-07.5-XX-X	SUB-C-209-07.5-X-X
-08.0	0.317 [8.05]	SEAF-XX-08.0-XX-X	SUB-C-209-08.0-X-X



- NOTES:
- ⊙ REPRESENTS A CRITICAL DIMENSION.
 - MINIMUM PUSHOUT FORCE: .75 LBS.
 - NOTE DELETED.
 - 5 ROW SOLDER TAILS ARE NOT SYMMETRICAL WITH BODY WIDTH (DIM .321 [8.15]); SEE FIG. 6, SHEET 3).
 - INSPECT DIMENSION AT 4 CORNERS OF PART.
 - WITHOUT -A AVAILABLE FOR EXISTING CUSTOMERS ONLY AS OF REVISION Y.
 - POLYIMIDE PAD WILL BE SUPPLIED WHETHER OR NOT -K IS SPECIFIED.
 - TAPE & REEL WILL BE SUPPLIED WHETHER OR NOT -TR IS SPECIFIED.
 - FOR QUANTITIES UP TO 49 PIECES, NO LEADER, TRAILER, OR REEL WILL BE SUPPLIED.
 - FOR QUANTITIES OF 50 - 124 PIECES, NO LEADER OR TRAILER WILL BE SUPPLIED.
 - ATTACH LABEL "SEAX-0001" TO EACH TAPE & REEL PACKAGE.
 - SEE RECOMMENDED FOOTPRINT DRAWING FOR STENCIL REQUIREMENTS.
 - SOLDER CHARGE VOLUME IS .891 x 10⁻⁶ IN ³ REF.



UNLESS OTHERWISE SPECIFIED, DIMENSIONS ARE IN INCHES. TOLERANCES ARE: DECIMALS ANGLES .XX: ±.01 [.3] 2° .XXX: ±.005 [.13] .XXXX: ±.0020 [.051]	PROPRIETARY NOTE THIS DOCUMENT CONTAINS INFORMATION CONFIDENTIAL AND PROPRIETARY TO SAMTEC, INC. AND SHALL NOT BE REPRODUCED OR TRANSFERRED TO OTHER DOCUMENTS OR DISCLOSED TO OTHERS OR USED FOR ANY PURPOSE OTHER THAN THAT WHICH IT WAS OBTAINED WITHOUT THE EXPRESSED WRITTEN CONSENT OF SAMTEC, INC.	520 PARK EAST BLVD, NEW ALBANY, IN 47150 PHONE: 812-944-6733 FAX: 812-948-5047 e-Mail: info@SAMTEC.com code: 55322

FIG. 2
 -10: 10 ROW
 (SAME AS FIG. 1, EXCEPT AS SHOWN)
 (SEAF-30-05.0-XX-10-1-A-XX-K-TR SHOWN)
 (ALL CONTACTS, POLYIMIDE NOT SHOWN FOR CLARITY)

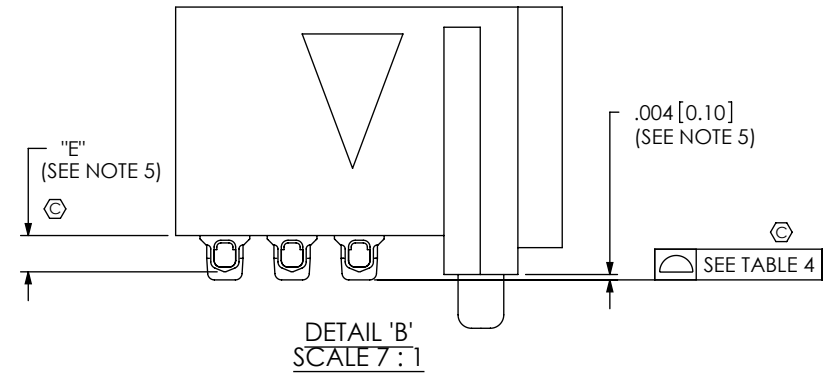
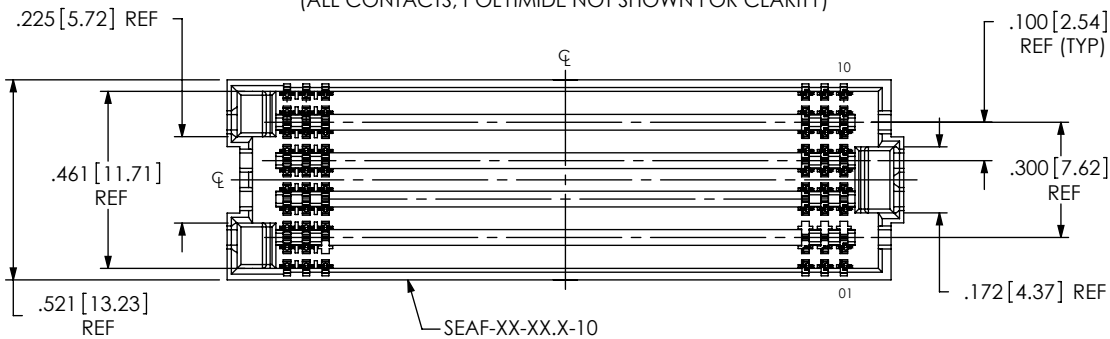


TABLE 4

POSITION	FLATNESS
-10 TO -30	.006[0.15]
-40	.009[0.23]
-50	.009[0.23]

TABLE 5

LEAD STYLE	"E"
-05.0	.0270[0.686]
-06.0	.0660[1.676]
-06.5	.0860[2.184]
-07.5	.0660[1.677]
-08.0	.0660[1.677]

FIG. 3
 -A: ALIGNMENT PINS
 (SAME AS FIG. 1, EXCEPT AS SHOWN)
 (SEAF-30-05.0-XX-08-1-A-XX-K-TR SHOWN)
 (ALL CONTACTS, POLYIMIDE NOT SHOWN FOR CLARITY)

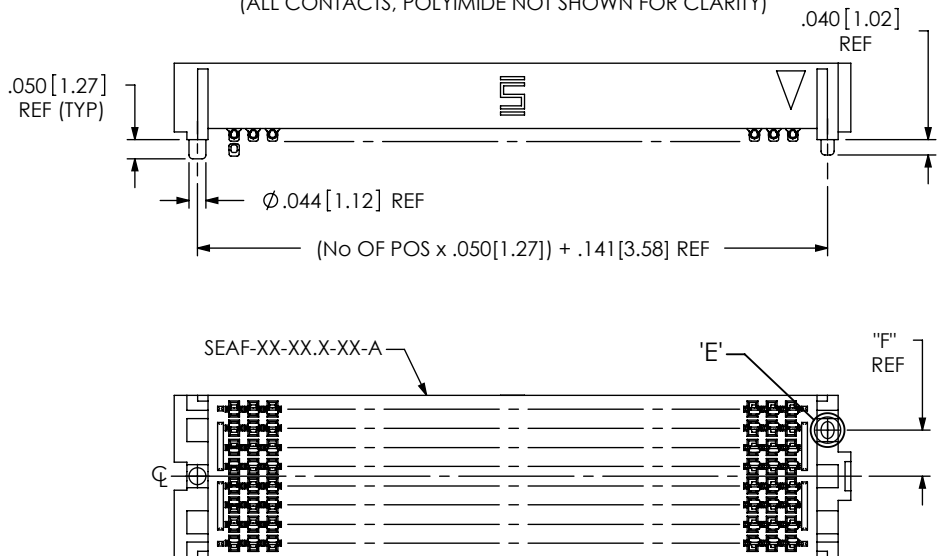


TABLE 6

No. OF ROWS	"F"
-04	.079[2.01]
-05	.120[3.05]
-06	.120[3.05]
-08	.120[3.05]
-10	.120[3.05]

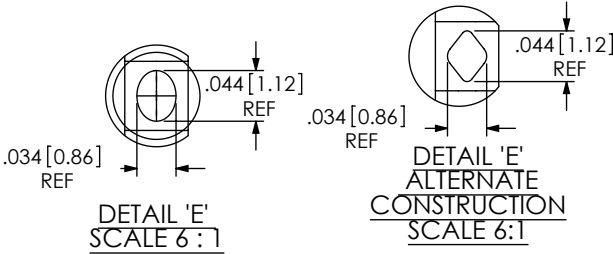


FIG. 4
 -K: POLYIMIDE PAD
 (SEAF-30-05.0-XX-08-1-A-XX-K-TR SHOWN)
 (SAME AS FIG. 1, EXCEPT AS SHOWN)
 (ALL CONTACTS NOT SHOWN FOR CLARITY)
 (HAND PLACE USE K-850-650)

DOT APPLICATOR-KAPTON TAPE: USE
 -04 ROW: K-DOT-.138-.250-.005
 -05/-06 ROW: K-DOT-.236-.343-.005
 -08 ROW: K-DOT-.325-.450-.005
 -10 ROW: K-DOT-.404-.500-.005

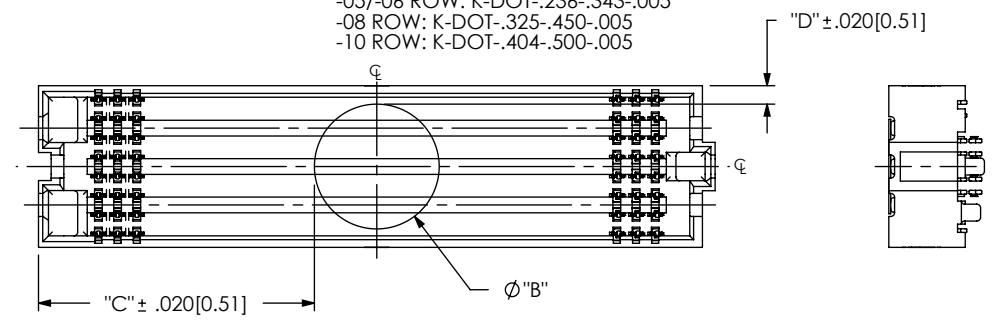


TABLE 3

ROW	"B"	"C"	"D"
-04	0.138 [3.50]	(((No OF POS x .050[1.27]) + .263[6.68]) - "B") / 2	0.042 [1.07]
-05, -06	0.236 [6.00]		0.043 [1.09]
-08	0.325 [8.25]		0.048 [1.22]
-10	0.404 [10.25]		0.059 [1.50]

PROPRIETARY NOTE
 THIS DOCUMENT CONTAINS INFORMATION CONFIDENTIAL AND PROPRIETARY TO SAMTEC, INC. AND SHALL NOT BE REPRODUCED OR TRANSFERRED TO OTHER DOCUMENTS OR DISCLOSED TO OTHERS OR USED FOR ANY PURPOSE OTHER THAN THAT WHICH IT WAS OBTAINED WITHOUT THE EXPRESSED WRITTEN CONSENT OF SAMTEC, INC.

DO NOT SCALE DRAWING
 SHEET SCALE: 2:1

520 PARK EAST BLVD, NEW ALBANY, IN 47150
 PHONE: 812-944-6733 FAX: 812-948-5047
 e-Mail: info@SAMTEC.com code: 53322

DESCRIPTION:
 .050 PITCH SOCKET ARRAY ASSEMBLY

DWG. NO.
 SEAF-XX-XX.X-XX-XX-X-A-XX-K-TR

BY: BRATCHER 05/27/2004 SHEET 2 OF 6

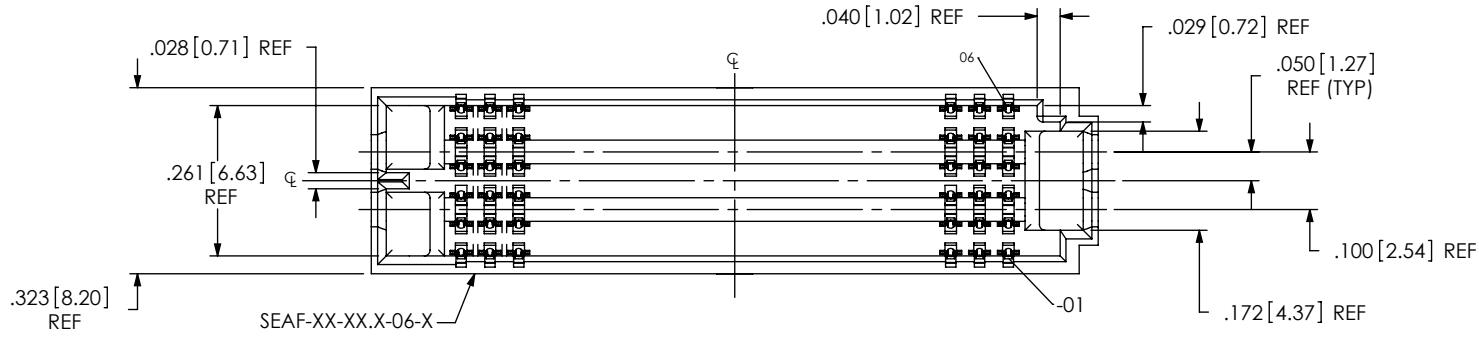


FIG. 5
-06: 6 ROW
(SAME AS FIG. 1, EXCEPT AS SHOWN)
(SEAF-20-05.0-XX-06-1-A-XX-K-TR SHOWN)
(ALL CONTACTS, POLYIMIDE NOT SHOWN FOR CLARITY)

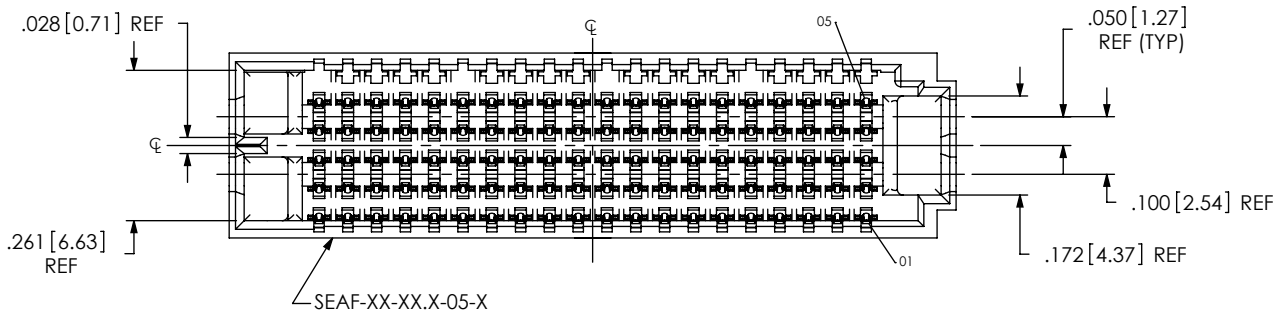
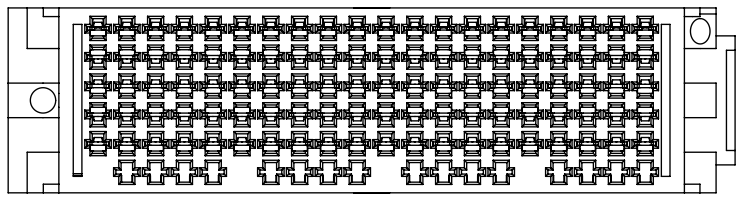
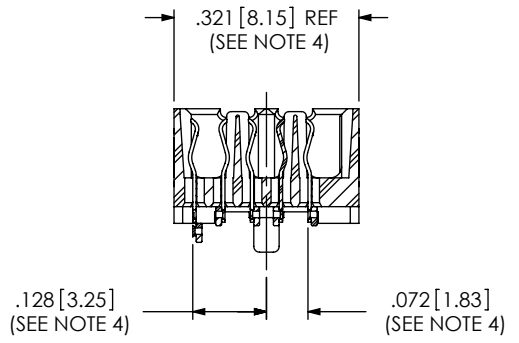
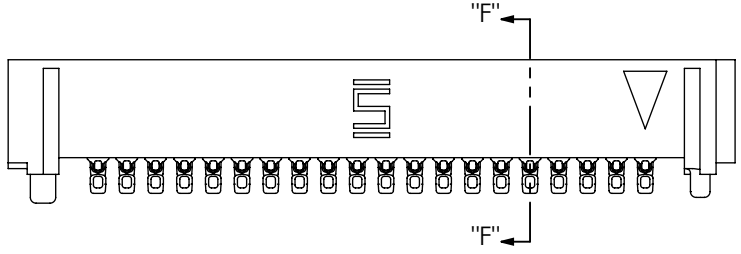


FIG. 6
-05: 5 ROW
(SAME AS FIG. 5, EXCEPT AS SHOWN)
(SEAF-20-05.0-XX-05-1-A-XX-K-TR SHOWN)
(POLYIMIDE NOT SHOWN FOR CLARITY)



SECTION "F"-"F"

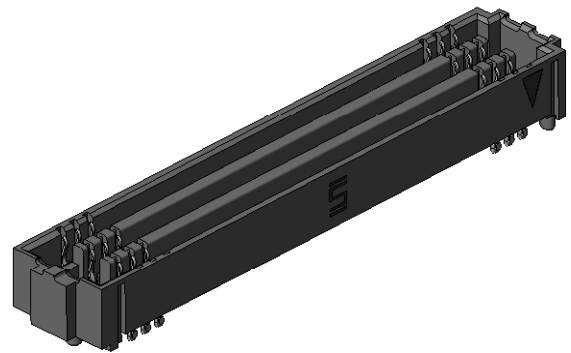
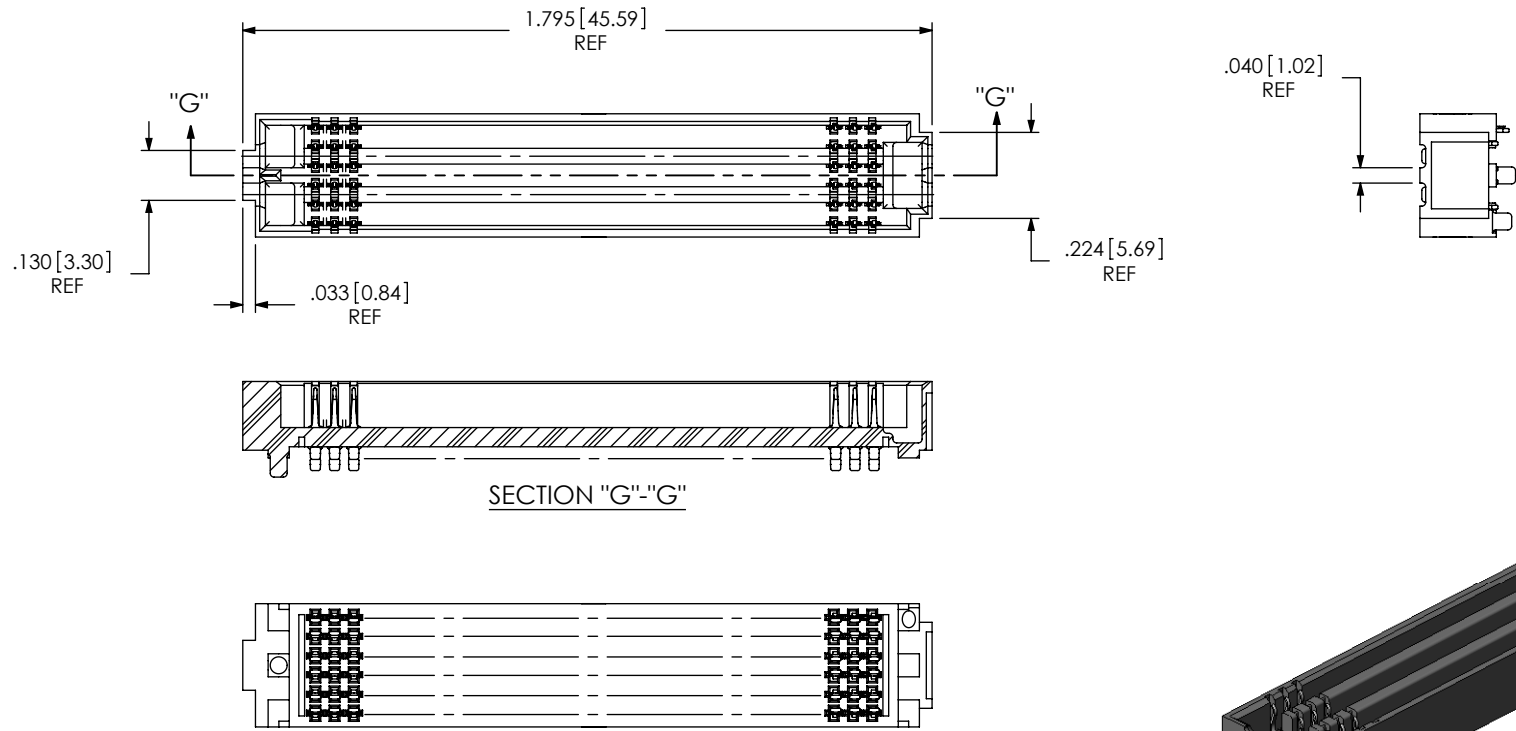
PROPRIETARY NOTE
THIS DOCUMENT CONTAINS INFORMATION
CONFIDENTIAL AND PROPRIETARY TO
SAMTEC, INC. AND SHALL NOT BE REPRODUCED
OR TRANSFERRED TO OTHER DOCUMENTS OR
DISCLOSED TO OTHERS OR USED FOR ANY
PURPOSE OTHER THAN THAT WHICH IT WAS
OBTAINED WITHOUT THE EXPRESSED WRITTEN
CONSENT OF SAMTEC, INC.

samtec
520 PARK EAST BLVD, NEW ALBANY, IN 47150
PHONE: 812-944-6733 FAX: 812-948-5047
e-Mail: info@SAMTEC.com code: 55322

DO NOT SCALE DRAWING
SHEET SCALE: 1:0.333333

DESCRIPTION: .050 PITCH SOCKET ARRAY ASSEMBLY	
DWG. NO. SEAF-XX-XX.X-XX-XX-X-A-XX-K-TR	
BY: BRATCHER 05/27/2004	SHEET 3 OF 6

FIG.7
 **-N: NOTCH OPTION
 (SAME AS FIG. 3, EXCEPT AS SHOWN)
 (SEAF-30-05.0-XX-06-1-A-N-K-TR SHOWN)
 (-05.0 LEAD STYLE ONLY)
 (ALL CONTACTS, POLYIMIDE NOT SHOWN FOR CLARITY)
 ** = NOT RELEASE PRODUCTION




<p>PROPRIETARY NOTE THIS DOCUMENT CONTAINS INFORMATION CONFIDENTIAL AND PROPRIETARY TO SAMTEC, INC. AND SHALL NOT BE REPRODUCED OR TRANSFERRED TO OTHER DOCUMENTS OR DISCLOSED TO OTHERS OR USED FOR ANY PURPOSE OTHER THAN THAT WHICH IT WAS OBTAINED WITHOUT THE EXPRESSED WRITTEN CONSENT OF SAMTEC, INC.</p> <p>DO NOT SCALE DRAWING</p> <p>SHEET SCALE: 2:1</p>		
	<p>520 PARK EAST BLVD, NEW ALBANY, IN 47150 PHONE: 812-944-6733 FAX: 812-948-5047 e-Mail: info@SAMTEC.com code: 55322</p>	
	<p>DESCRIPTION: .050 PITCH SOCKET ARRAY ASSEMBLY</p>	
	<p>DWG. NO. SEAF-XX-XX.X-XX-XX-X-A-XX-K-TR</p>	
<p>BY: BRATCHER 05/27/2004</p>		<p>SHEET 4 OF 6</p>

FIG. 12
 -04: 4 ROW
 (SEAF-20-05.0-XX-04-1-A-XX-K-TR SHOWN)
 (ALL CONTACTS, POLYIMIDE NOT SHOWN FOR CLARITY)
 (SAME AS FIG.1 EXCEPT AS SHOWN)

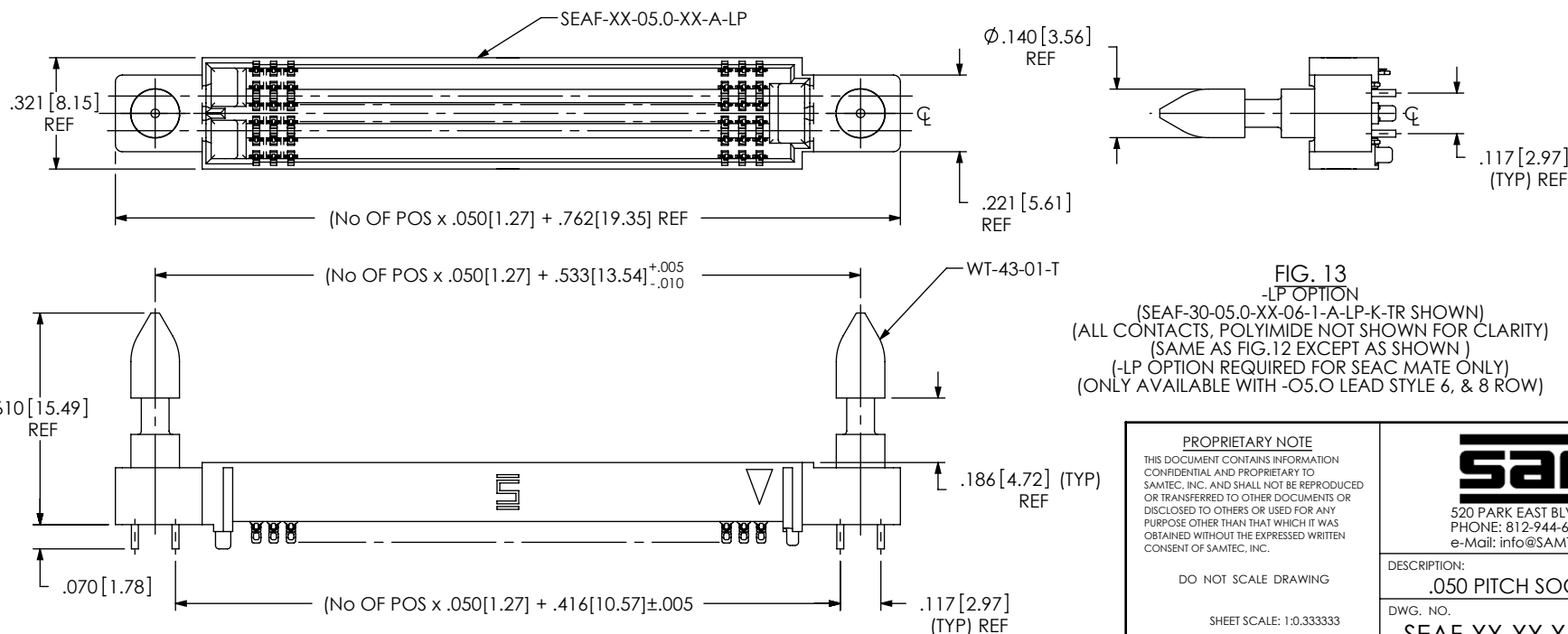
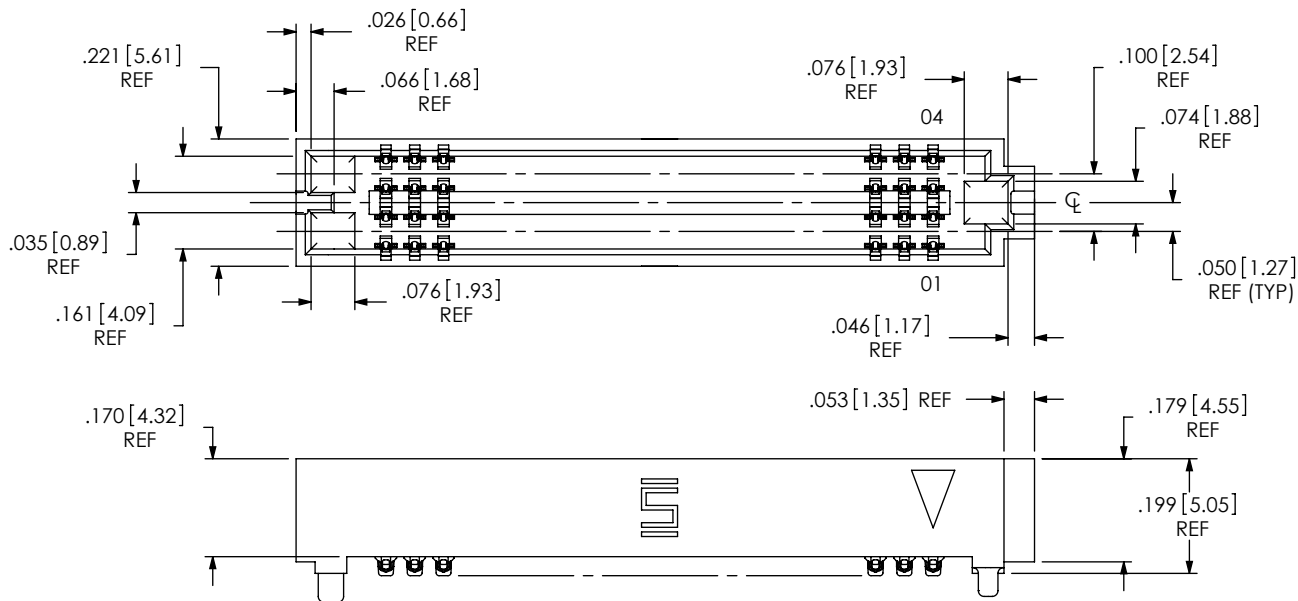


FIG. 13
 -LP OPTION
 (SEAF-30-05.0-XX-06-1-A-LP-K-TR SHOWN)
 (ALL CONTACTS, POLYIMIDE NOT SHOWN FOR CLARITY)
 (SAME AS FIG.12 EXCEPT AS SHOWN)
 (-LP OPTION REQUIRED FOR SEAC MATE ONLY)
 (ONLY AVAILABLE WITH -05.0 LEAD STYLE 6, & 8 ROW)

PROPRIETARY NOTE
 THIS DOCUMENT CONTAINS INFORMATION
 CONFIDENTIAL AND PROPRIETARY TO
 SAMTEC, INC. AND SHALL NOT BE REPRODUCED
 OR TRANSFERRED TO OTHER DOCUMENTS OR
 DISCLOSED TO OTHERS OR USED FOR ANY
 PURPOSE OTHER THAN THAT WHICH IT WAS
 OBTAINED WITHOUT THE EXPRESSED WRITTEN
 CONSENT OF SAMTEC, INC.

DO NOT SCALE DRAWING
 SHEET SCALE: 1:0.333333

samtec

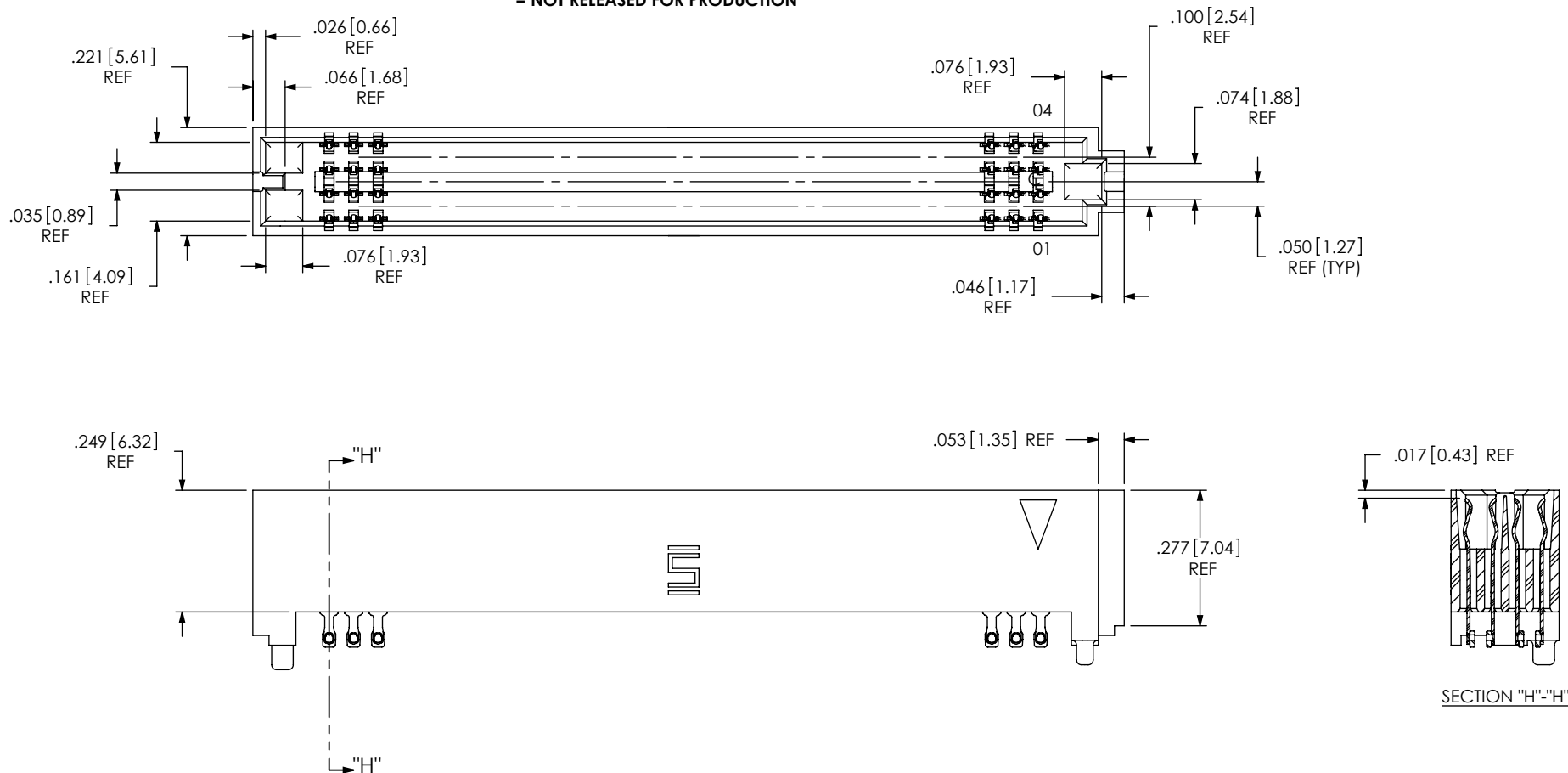
520 PARK EAST BLVD, NEW ALBANY, IN 47150
 PHONE: 812-944-6733 FAX: 812-948-5047
 e-Mail: info@SAMTEC.com code: 55322

DESCRIPTION:
 .050 PITCH SOCKET ARRAY ASSEMBLY

DWG. NO.
 SEAF-XX-XX.X-XX-XX-X-A-XX-K-TR

BY: BRATCHER 05/27/2004 SHEET 5 OF 6

FIG. 14
 **04: 4 ROW
 (SEAF-30-08.0-XX-04-1-A-XX-K-TR SHOWN)
 (ALL CONTACTS, POLYIMIDE NOT SHOWN FOR CLARITY)
 (SAME AS FIG.1 EXCEPT AS SHOWN)
 ** = NOT RELEASED FOR PRODUCTION



PROPRIETARY NOTE
 THIS DOCUMENT CONTAINS INFORMATION
 CONFIDENTIAL AND PROPRIETARY TO
 SAMTEC, INC. AND SHALL NOT BE REPRODUCED
 OR TRANSFERRED TO OTHER DOCUMENTS OR
 DISCLOSED TO OTHERS OR USED FOR ANY
 PURPOSE OTHER THAN THAT WHICH IT WAS
 OBTAINED WITHOUT THE EXPRESSED WRITTEN
 CONSENT OF SAMTEC, INC.

DO NOT SCALE DRAWING

SHEET SCALE: 1:0.333333

samtec

520 PARK EAST BLVD, NEW ALBANY, IN 47150
 PHONE: 812-944-6733 FAX: 812-948-5047
 e-Mail: info@SAMTEC.com code: 55322

DESCRIPTION:
 .050 PITCH SOCKET ARRAY ASSEMBLY

DWG. NO.
 SEAF-XX-XX.X-XX-XX-X-A-XX-K-TR

BY: BRATCHER 05/27/2004 SHEET 6 OF 6