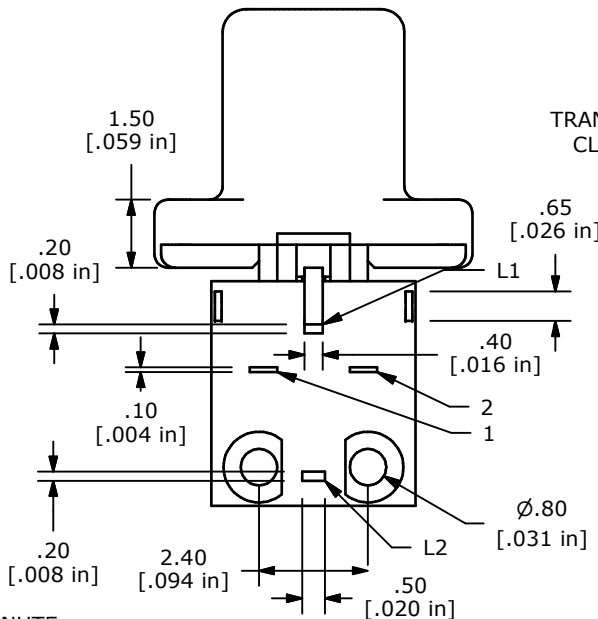
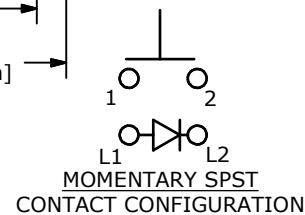
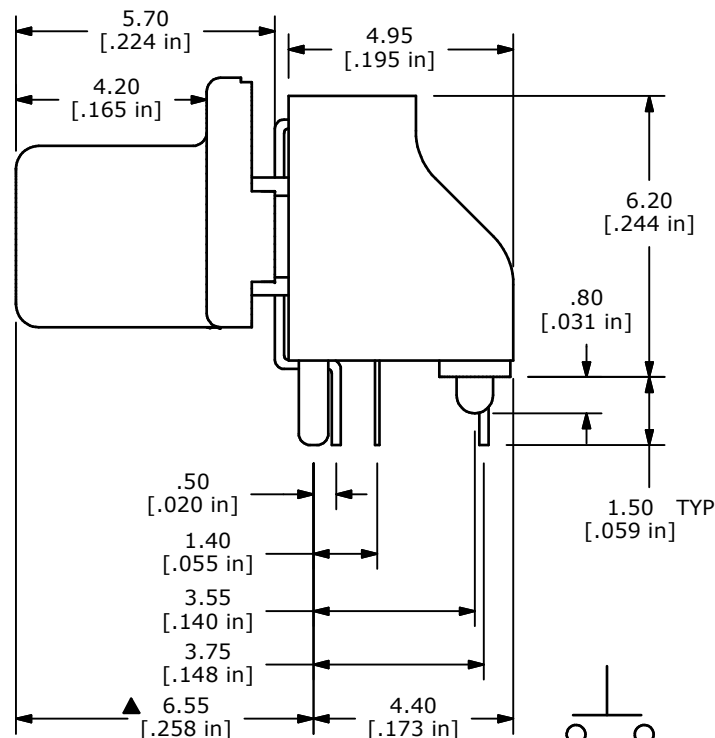
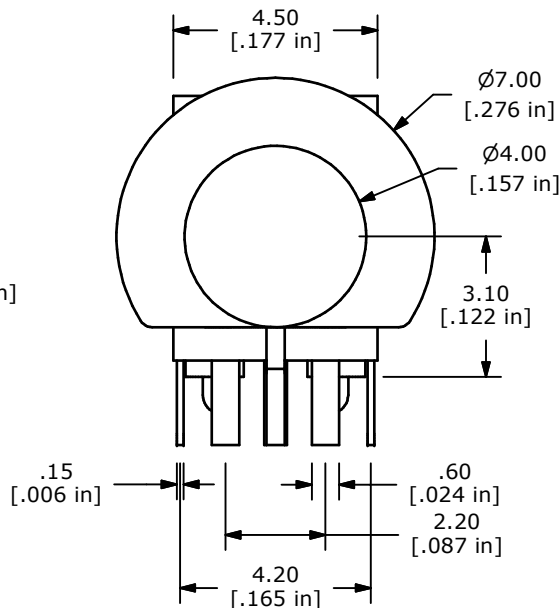


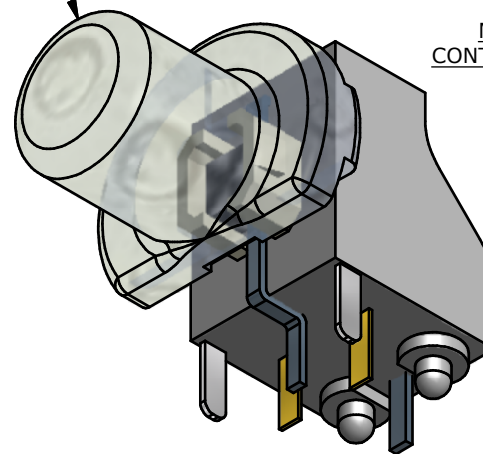
P.C.B. LAYOUT

LED SPECS	UNITS	RED
FORWARD CURRENT	mA	20 TYP.
FORWARD VOLTAGE	V	2.0 TYP. - 2.3 MAX.
LUMINOUS INTENSITY	mcd	80 TYP.

- NOTES:
- ALL DIMENSIONS IN MM [INCH]
 - GENERAL TOLERANCE: X.X=±0.4
X.XX=±0.25
 - RATING: 12VDC @ 50mA
 - CONTACT RESISTANCE: 500mΩ MAX.
 - INSULATION RESISTANCE: 100MΩ MIN.
 - ▲ OPERATING FORCE: 160± 50gf
 - TRAVEL: 0.2± 0.1mm
 - OPERATING TEMPERATURE: -40°C TO 85°C
 - OPERATING LIFE: 100,000 CYCLES
 - ▲ LED: RED
 - ▲ DENOTES CRITICAL PARAMETERS
 - 2002/95/EC (ROHS) COMPLIANT
 - SWITCH TERMINAL PLATING: SILVER
 - DIELECTRIC STRENGTH: 250 VAC FOR ONE MINUTE
 - PACKAGING: 300 PIECES PER REEL



TRANSPARENT CLEAR CAP



TITLE TL1270F160REQBT				
SCALE	DATE 4/8/2013	DR EBP	DWG N325005	REV A

A	21107	INITIAL RELEASE	4/17/13	EBP
REV	PCR NO	DESCRIPTION	DATE	BY

THE INFORMATION CONTAINED IN THIS DOCUMENT IS PROPRIETARY TO E-SWITCH AND IS NOT TO BE COPIED OR TRANSFERRED