

8

7

6

5

4

3

9 5 1 - 2 X 0 J - X X X

XCede BACKPLANE MODULE MALE STANDARD LOAD

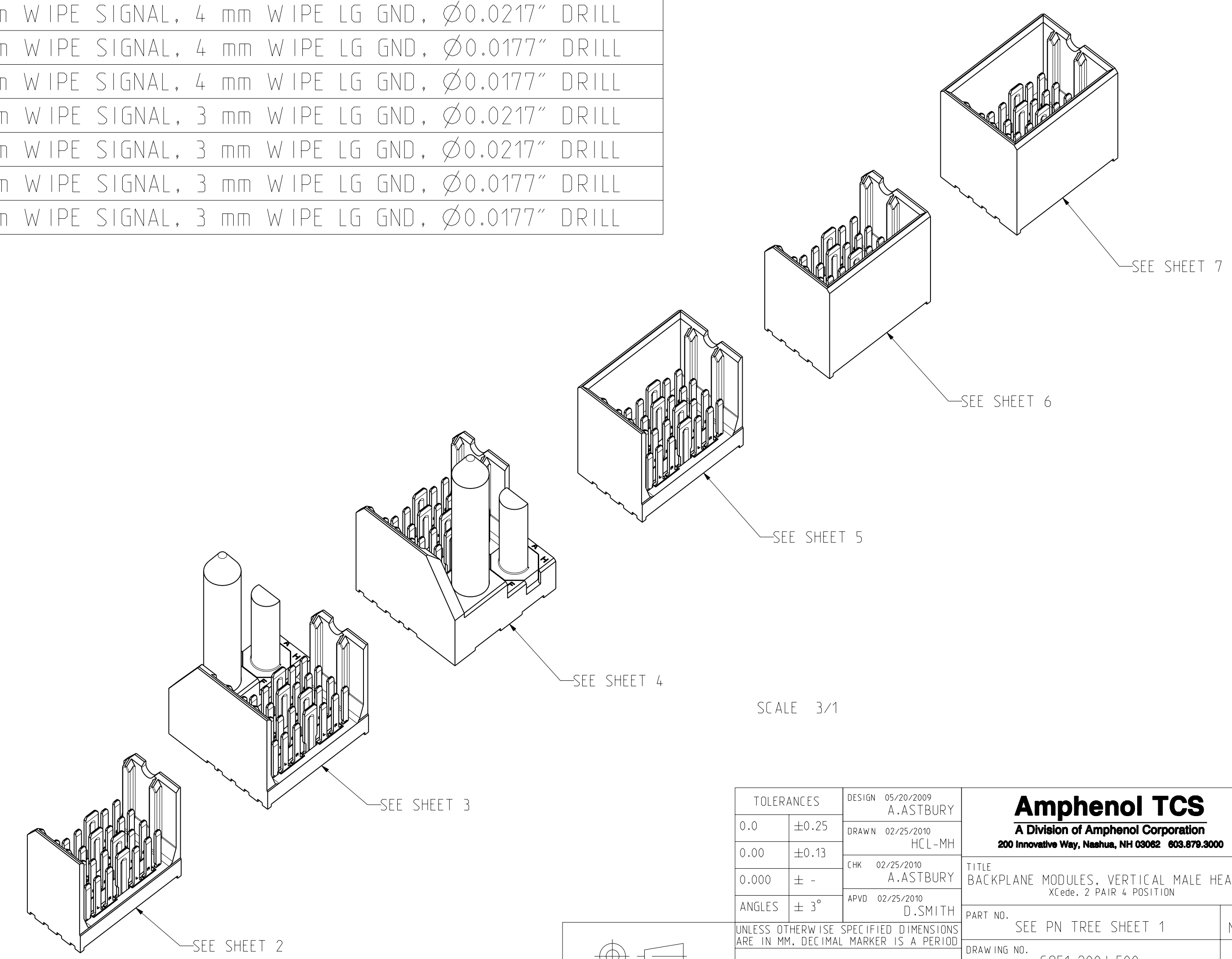
4-POSITION

LETTER	PLATING
B	30 MICROINCH GOLD
C	50 MICROINCH GOLD
D	30 MICROINCH GOLD, LEADFREE
E	50 MICROINCH GOLD, LEADFREE

NUMBER	PIN STYLE, HEIGHT
0	GUIDE PIN MACHINED, 25.7mm / NONE
1	GUIDE PIN ROLLED, 25.7mm

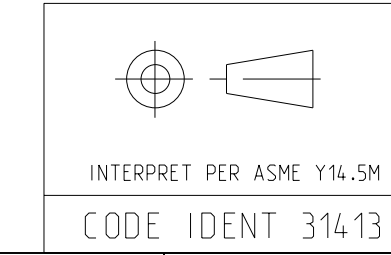
NUMBER	SIGNAL & LG. GROUND WIPE LENGTH, COMPLIANT PIN SIZE
1	2 mm WIPE SIGNAL, 4 mm WIPE LG GND, Ø0.0217" DRILL
2	3 mm WIPE SIGNAL, 4 mm WIPE LG GND, Ø0.0217" DRILL
3	2 mm WIPE SIGNAL, 4 mm WIPE LG GND, Ø0.0177" DRILL
4	3 mm WIPE SIGNAL, 4 mm WIPE LG GND, Ø0.0177" DRILL
5	2 mm WIPE SIGNAL, 3 mm WIPE LG GND, Ø0.0217" DRILL
6	3 mm WIPE SIGNAL, 3 mm WIPE LG GND, Ø0.0217" DRILL
7	2 mm WIPE SIGNAL, 3 mm WIPE LG GND, Ø0.0177" DRILL
8	3 mm WIPE SIGNAL, 3 mm WIPE LG GND, Ø0.0177" DRILL

	LETTER									
LEFT POLARIZING GUIDANCE (SEE SHEET 3)	N	J (NO KEY)	A	B	C	D	E	F	G	H
	NO KEY NO GUIDE PIN									
RIGHT POLARIZING GUIDANCE (SEE SHEET 4)	Z	Y (NO KEY)	P	Q	R	S	T	U	V	W
	NO KEY NO GUIDE PIN									
OPEN (SEE SHEET 2)	O (ZERO)									
LEFT WALL (SEE SHEET 5)	L									
RIGHT WALL (SEE SHEET 6)	M									
TWO WALL (SEE SHEET 7)	1									



SCALE 3/1

- NOTES:
- REFER TO TB-2150 FOR XCede PRODUCT SPECIFICATIONS.
  - NOTCH DESIGNATES "ROW A" SIDE OF SHROUD. NOTCH FEATURE ON OPPOSITE SIDE FROM PART MARKING.
  - PART MARKING AS FOLLOWS:  
 LINE 1: "ATCS" AND DATECODE (ATCS YYWW).  
 LINE 2: MODULE PART NUMBER (951-####-###).  
 LINE 3: WORK ORDER NUMBER (###\*#####).  
 WHERE "\*" DENOTES MANUFACTURING LOCATION.
  - PLATING THICKNESS OF SIGNAL CONTACT AND GROUND CONTACT IS DETERMINED BY PLATING CODE. SEE PART NUMBER TREE SHEET 1.
  - REPAIR PROCEDURE FOR MODULE, SEE TB-2210.
  - SEE TB-2149 FOR ROUTING GUIDELINES & PTH REQ'S.
  - SEE DOC C190-1001-000 FOR TOOLING KEEPOUT ZONES.
  - BACKPLANE DATUM REFERENCE.
  - OPTIONAL HOLE/MOUNTING SCREW LOCATION FOR GROUNDED PIN OR ADDITIONAL GUIDE PIN SUPPORT. REFER TO TB-2211 FOR PROPER GUIDE PIN SELECTION AND DRAWING C942-2010-000 FOR OPTIONAL HOLE DETAILS. ONLY APPLIES FOR MACHINED GUIDE PIN APPLICATIONS.
  - DIMENSIONS APPLY FOR BOTH COMPLIANT PIN SIZES.



TOLERANCES	DESIGN 05/20/2009 A.ASTBURY	<b>Amphenol TCS</b> A Division of Amphenol Corporation 200 Innovative Way, Nashua, NH 03062 603.879.3000	PART NO.	SEE PN TREE SHEET 1	REV	N/A
0.0 ±0.25	DRAWN 02/25/2010 HCL-MH		DRAWING NO.	C951-200J-500	REV	A
0.00 ±0.13	CHK 02/25/2010 A.ASTBURY		Pro/E Type: C951-200J-BP2-4 WAF	1.1		
0.000 ± -	APVD 02/25/2010 D.SMITH		Pro/E DRAWING: C951-200J-500	A.0		
ANGLES ± 3°	UNLESS OTHERWISE SPECIFIED DIMENSIONS ARE IN MM. DECIMAL MARKER IS A PERIOD.		SIZE	D	SCALE	3/1
CUSTOMER USE DRAWING			SHEET 1 OF 8			

8

7

6

5

4

3

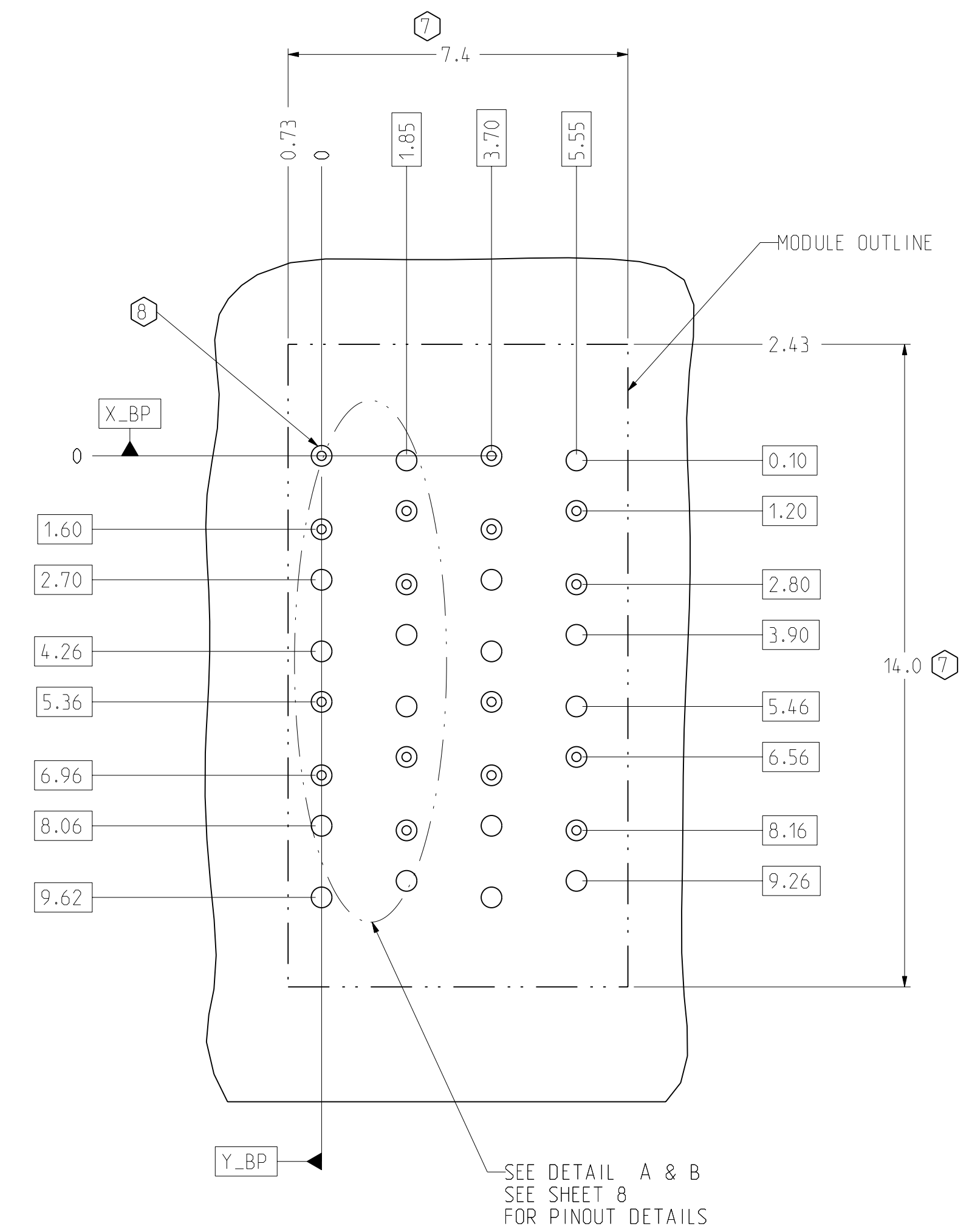
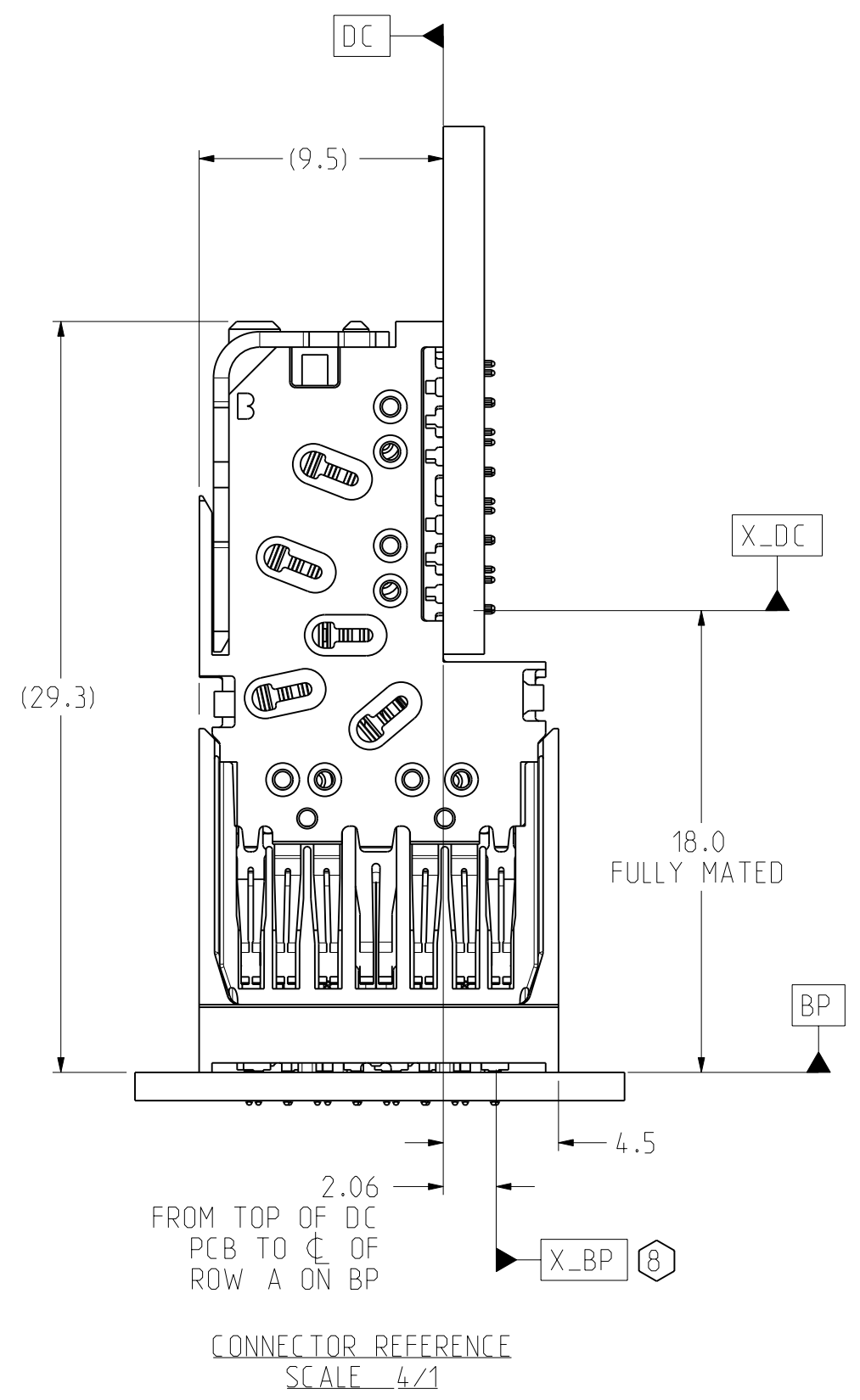
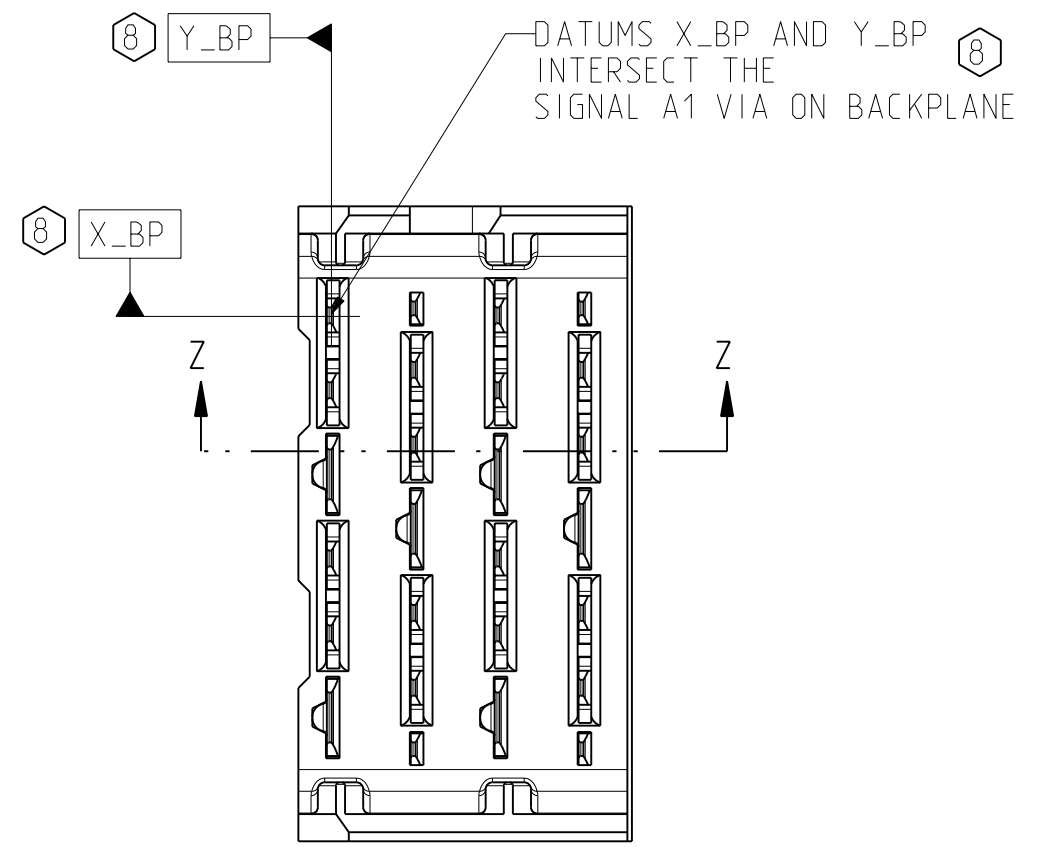
2

1

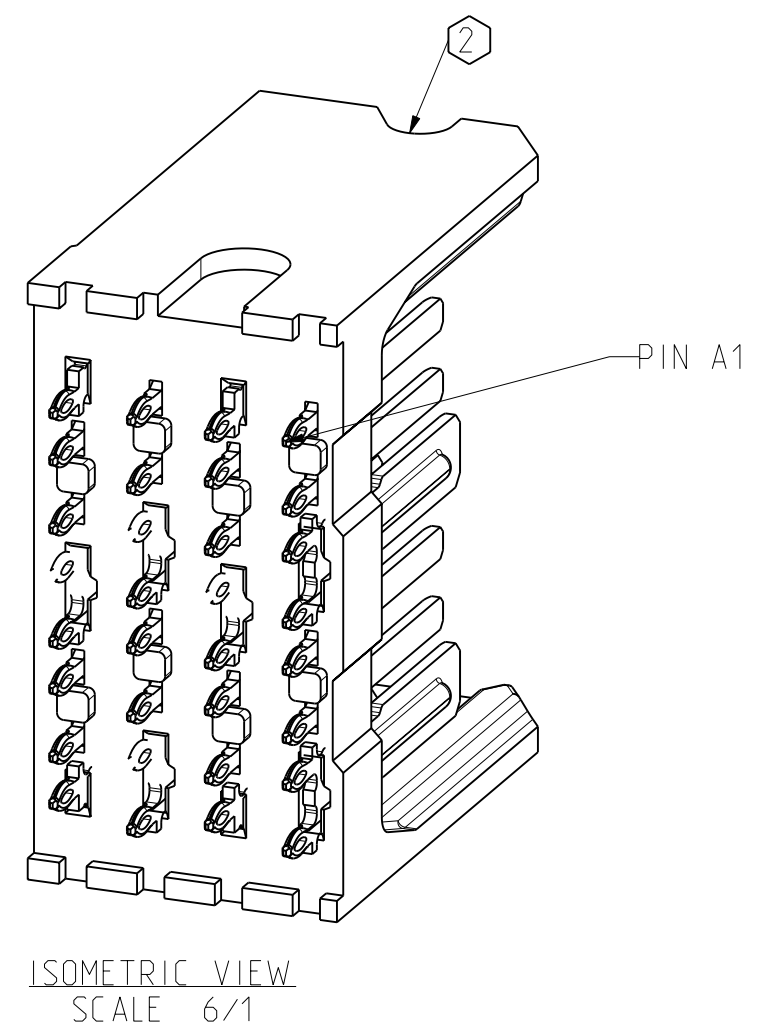
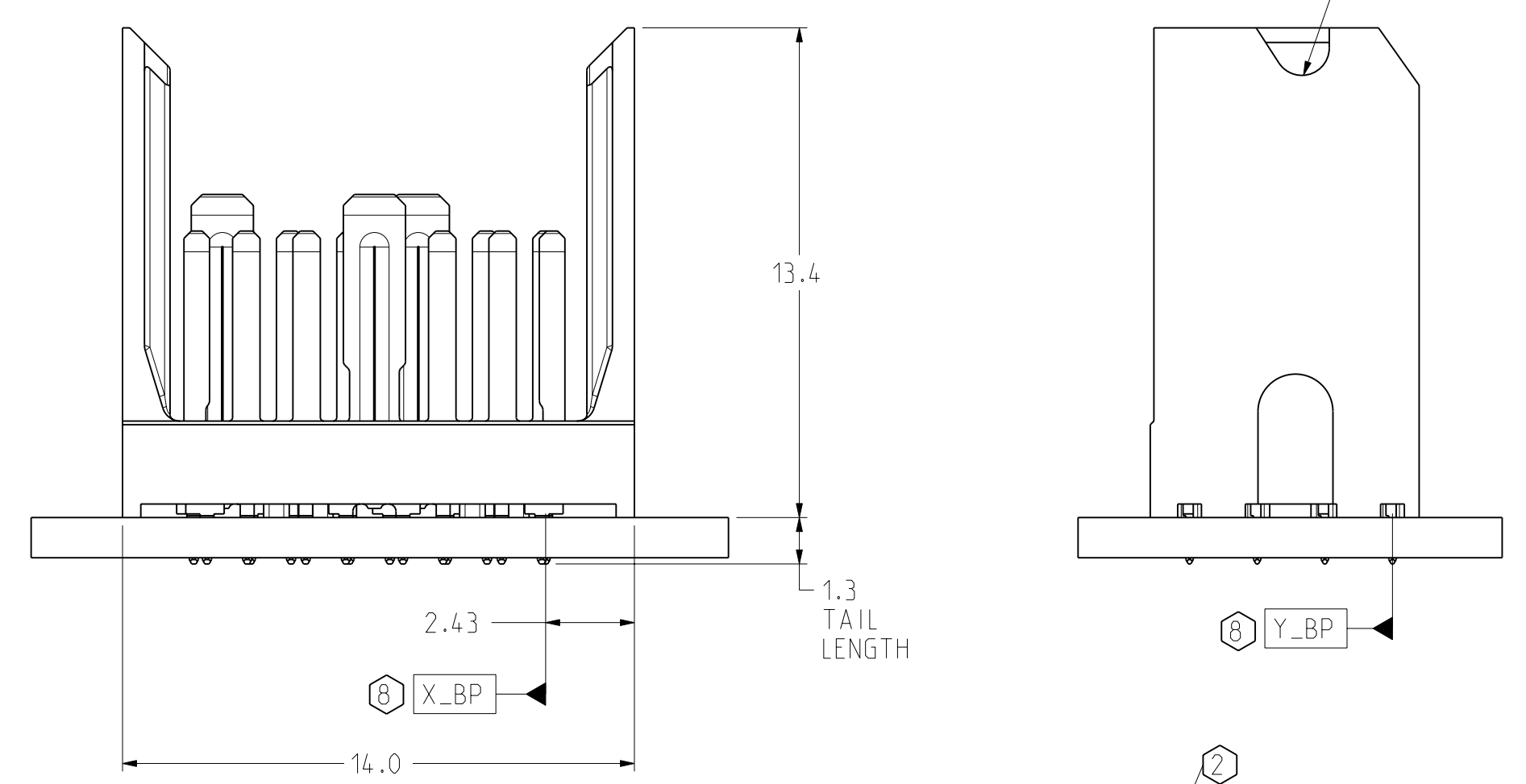
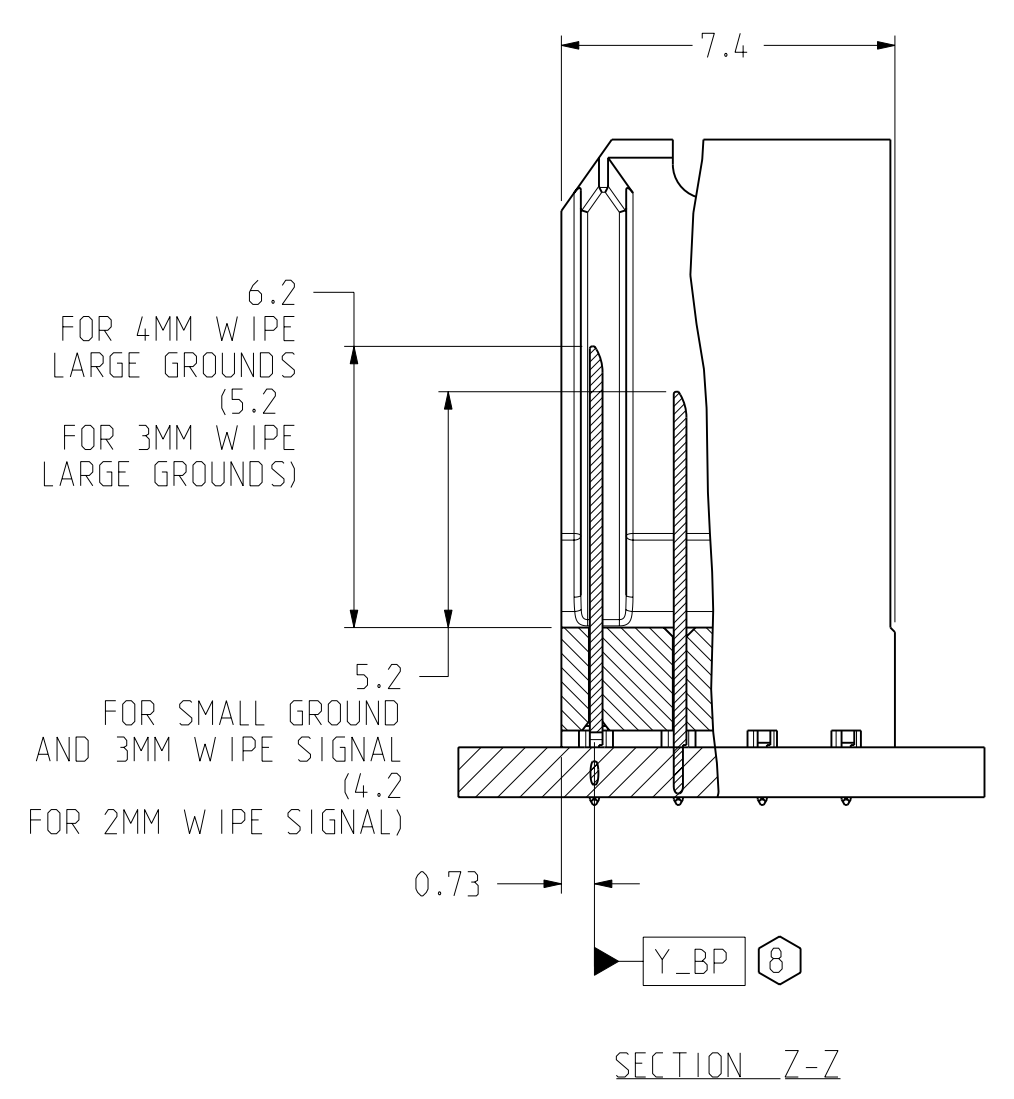
DRW NO. C951-200J-500

SH 1 REV A

ZONE	REV	SCR NUMBER	DESCRIPTION	BY	DATE	APPROVED
			SEE SHEET 1			



OPEN BACKPLANE MODULE DIMENSION



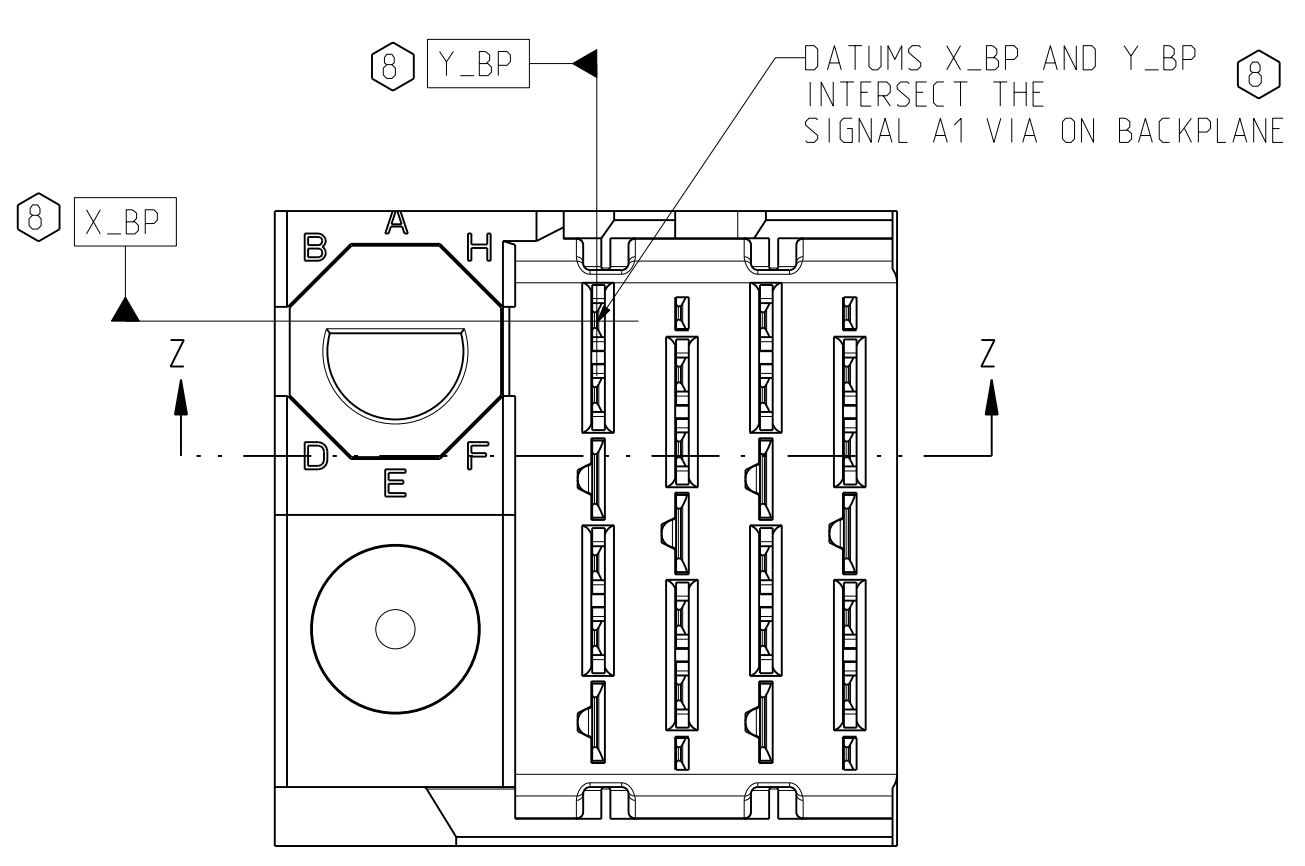
OPEN BACKPLANE FOOTPRINT

TOLERANCES		DESIGN 05/20/2009 A.ASTBURY	<b>Amphenol TCS</b> A Division of Amphenol Corporation 200 Innovative Way, Nashua, NH 03062 603.879.3000	TITLE BACKPLANE MODULES, VERTICAL MALE HEADER XCede, 2 PAIR & POSITION		
0.0	±0.25	DRAWN 02/25/2010 HCL-MH		PART NO.	SEE PN TREE SHEET 1	REV N/A
0.00	±0.13	CHK 02/25/2010 A.ASTBURY		DRAWING NO.	C951-200J-500	REV A
0.000	±	APVD 02/25/2010 D.SMITH		Pro/E Type: C951-200J-BP2-4 WAF	1.1	
ANGLES	± 3°	UNLESS OTHERWISE SPECIFIED DIMENSIONS ARE IN MM. DECIMAL MARKER IS A PERIOD.		Pro/E DRAWING: C951-200J-500	A.O.	
INTERPRET PER ASME Y14.5M CODE IDENT 31413			CUSTOMER USE DRAWING		SIZE D SCALE 6/1 SHEET 2 OF 8	

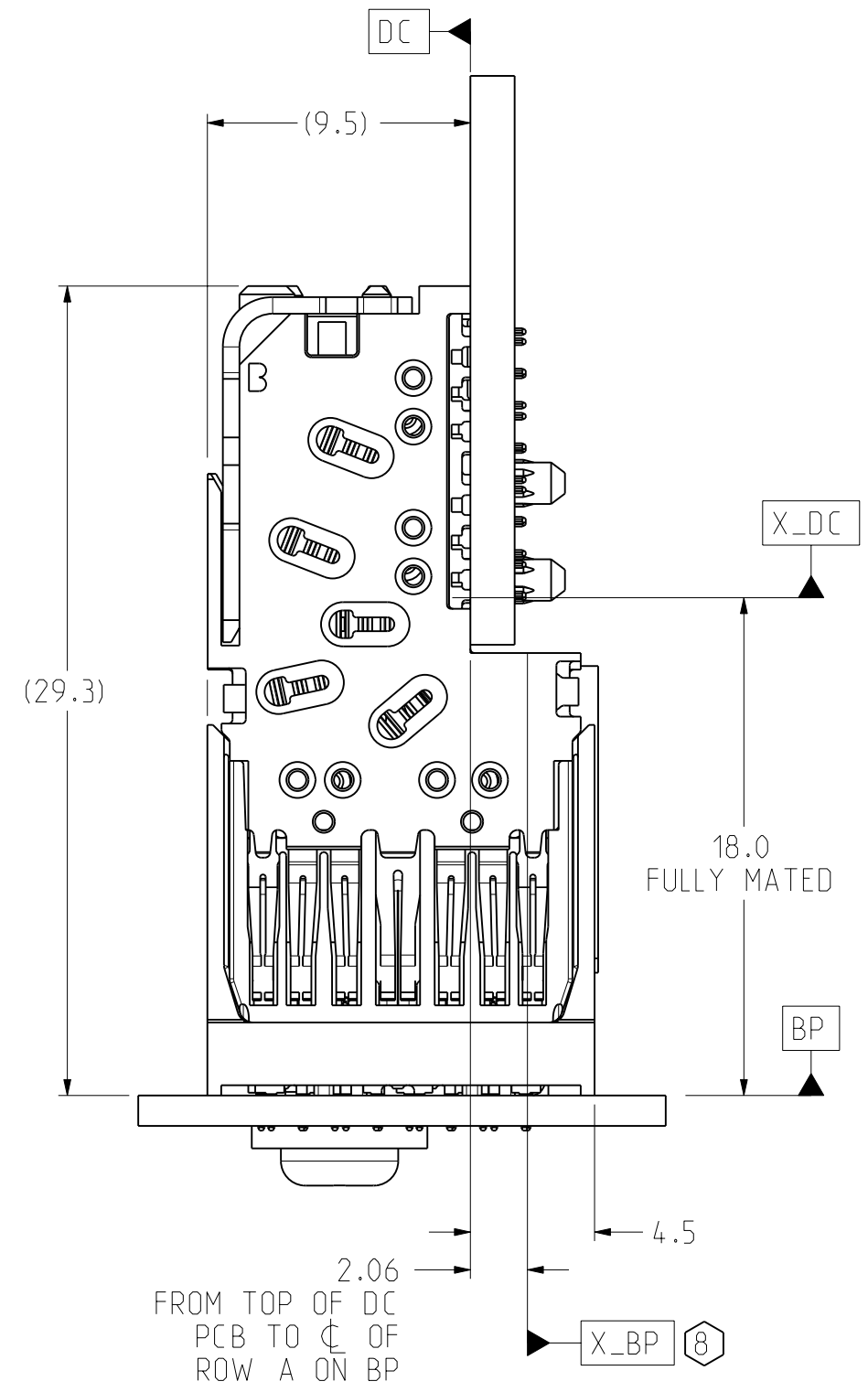
DRW NO. C951-200J-500

SH 2 REV A

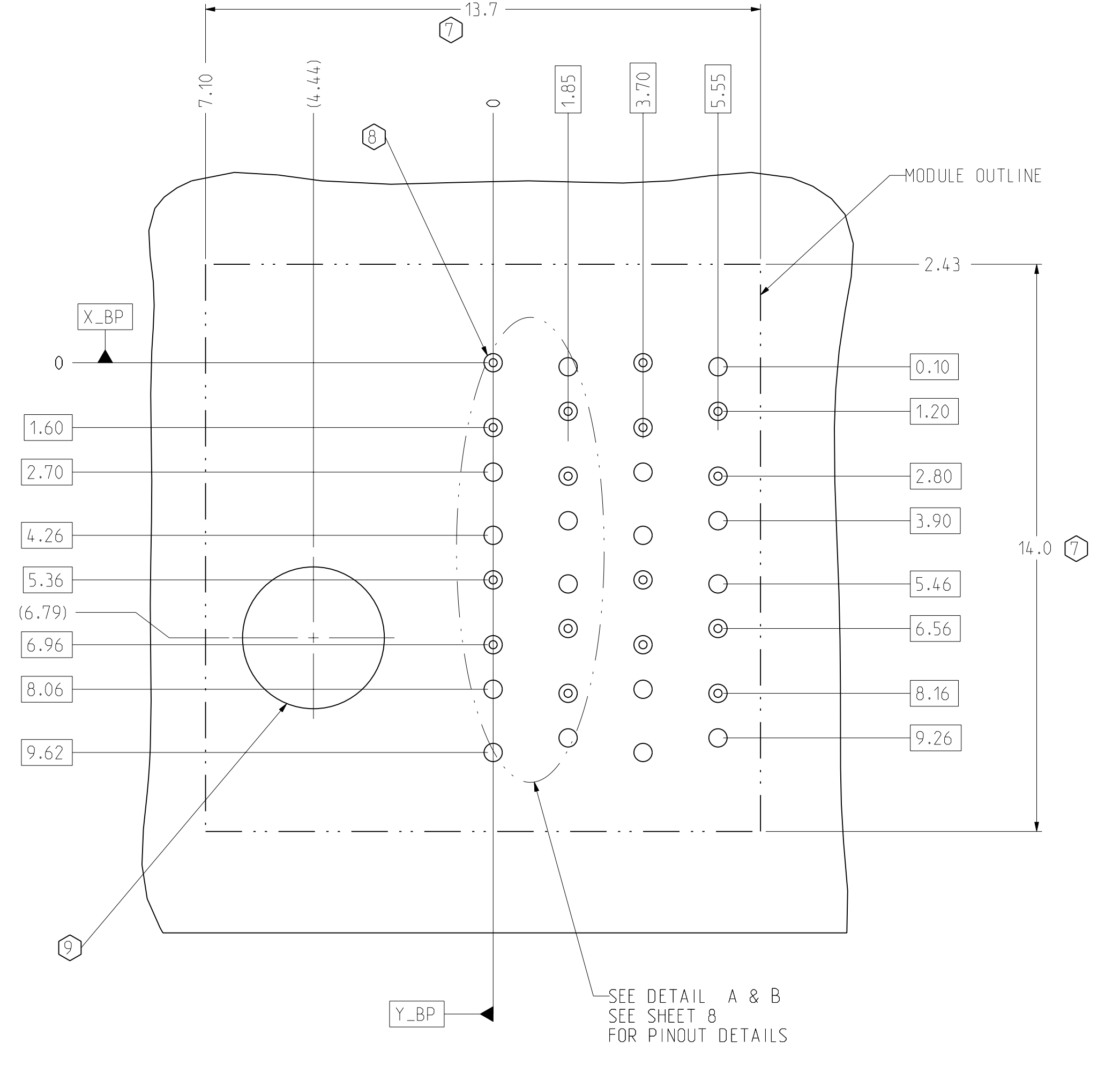
ZONE	REV	SCR NUMBER	DESCRIPTION	BY	DATE	APPROVED
			SEE SHEET 1			



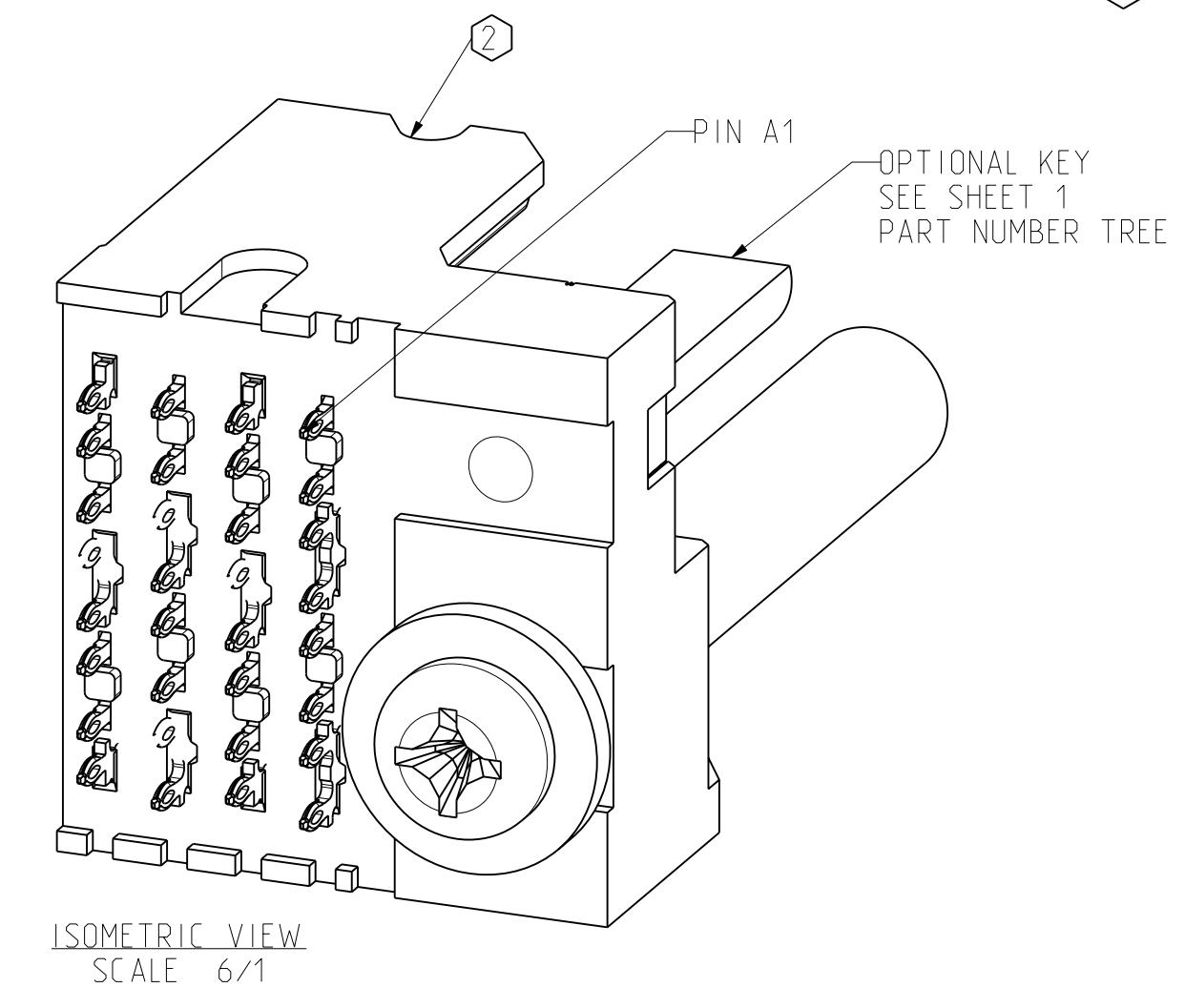
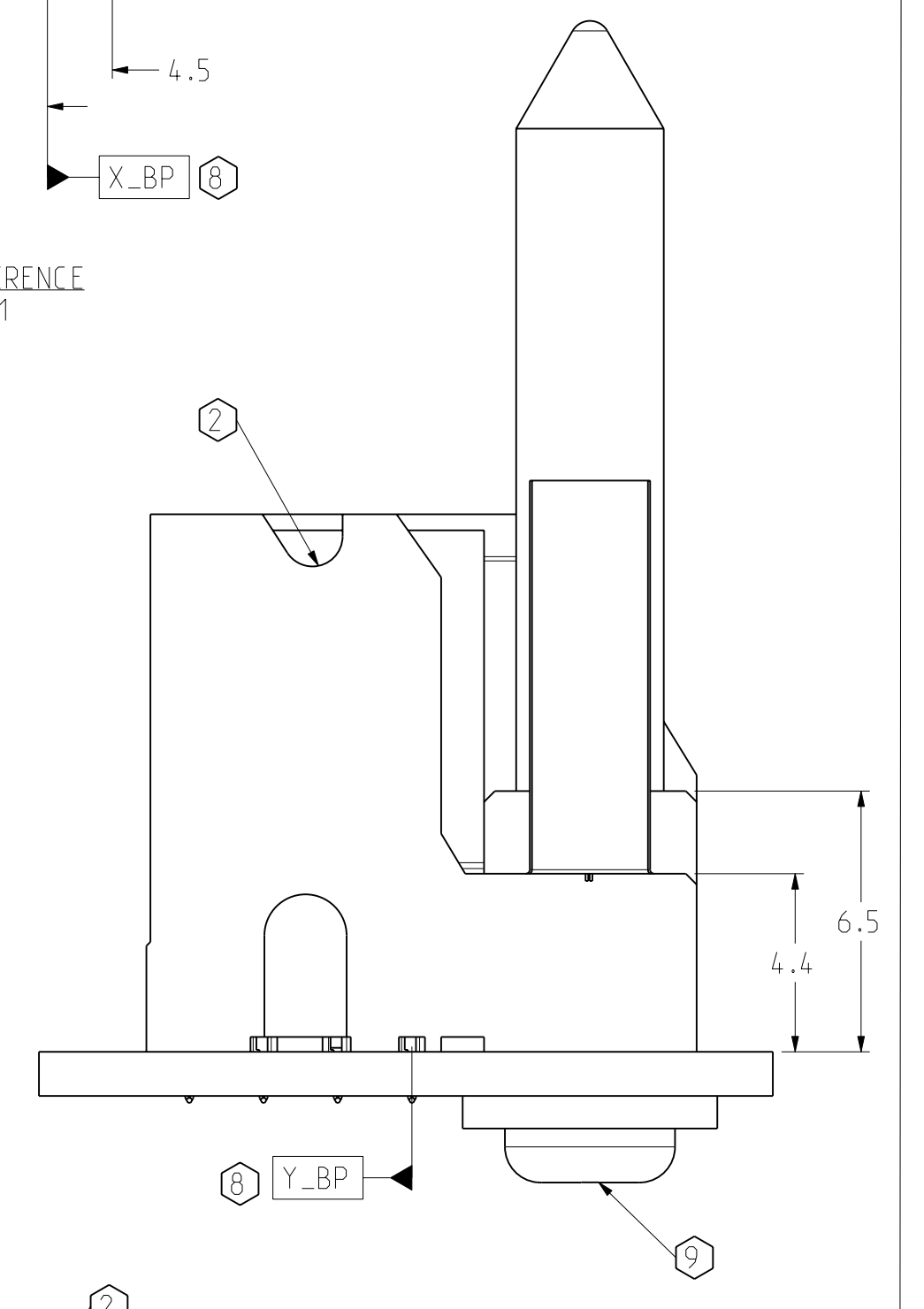
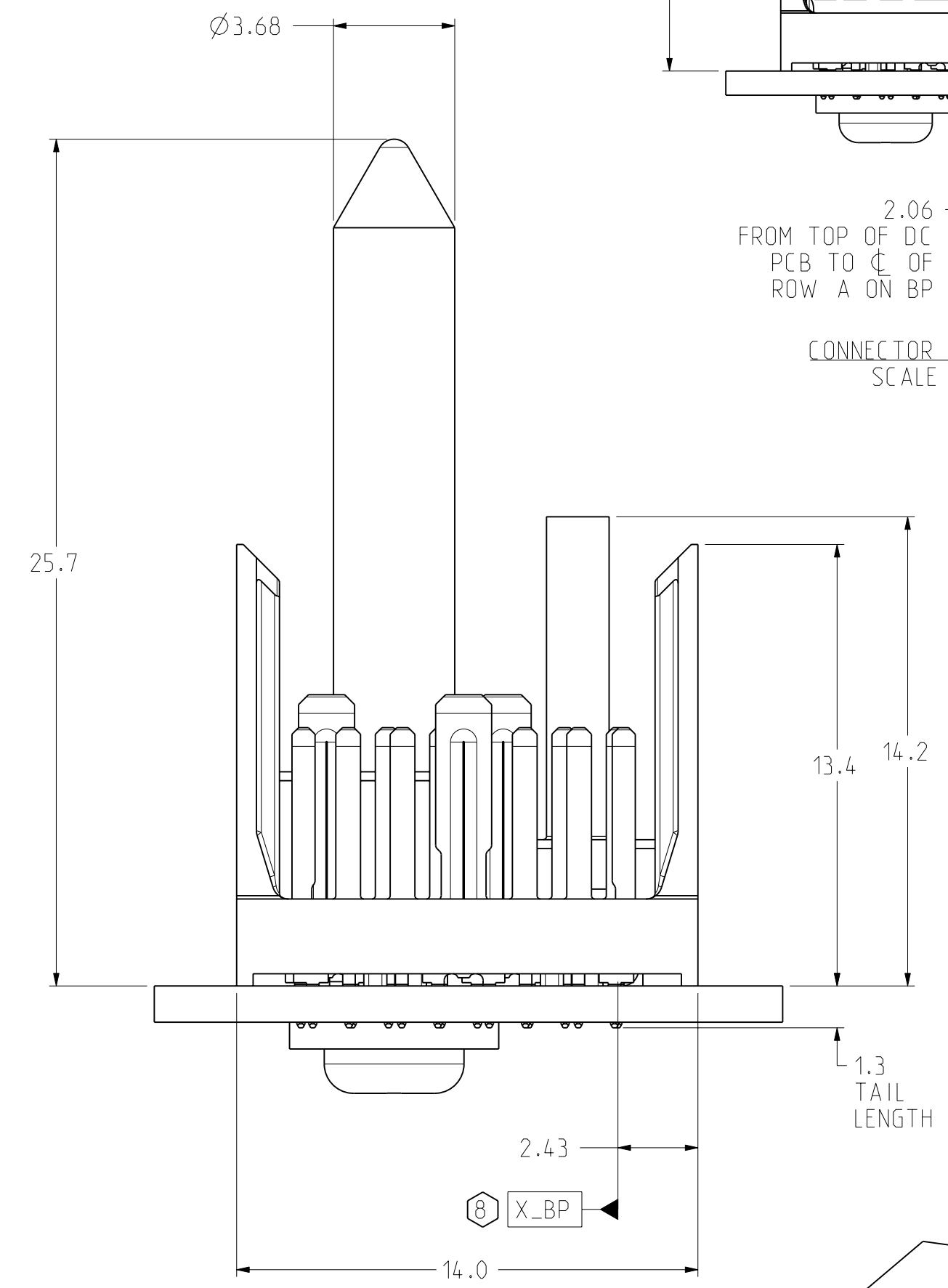
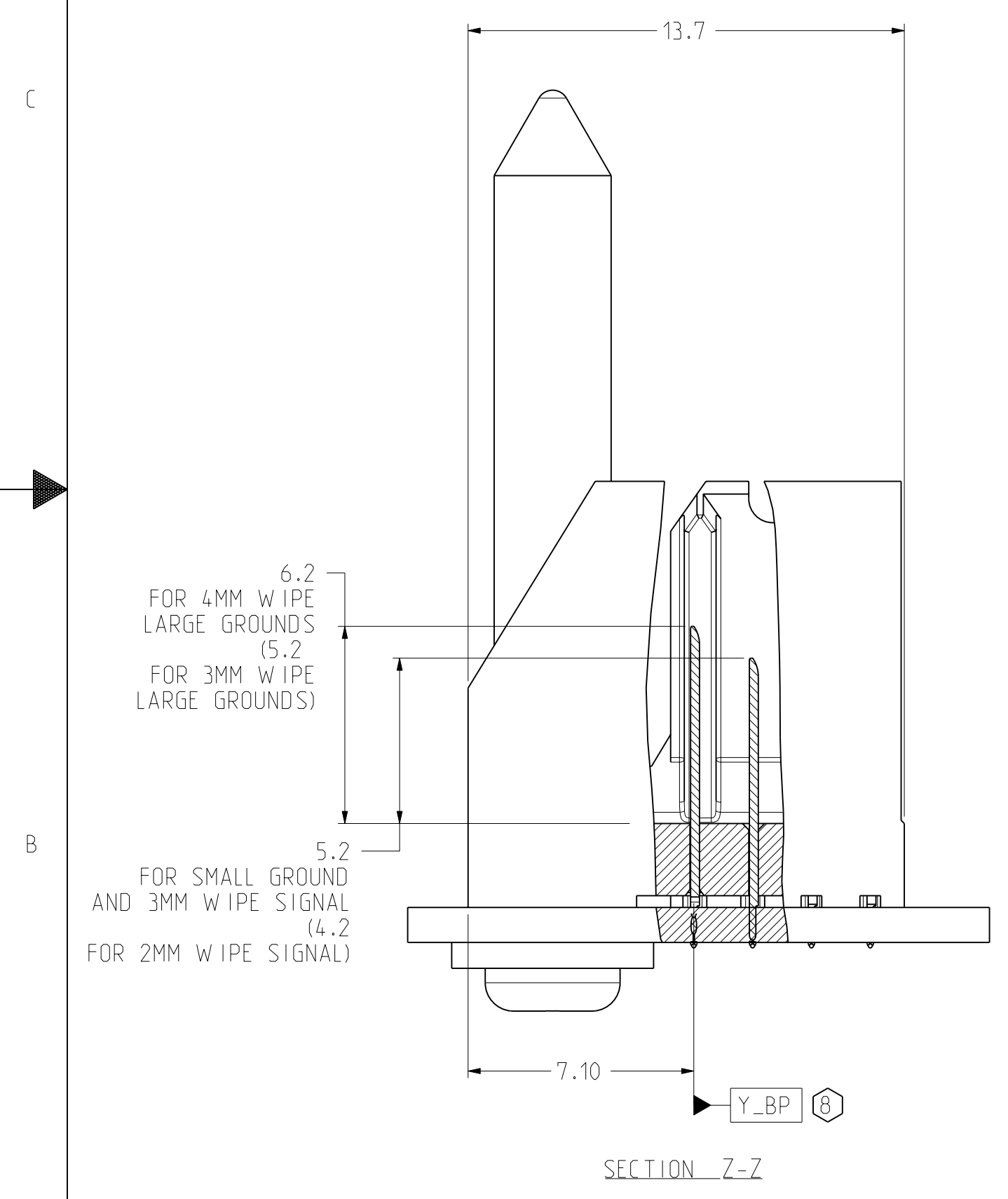
LEFT POLARIZING/GUIDE BACKPLANE MODULE DIMENSION



CONNECTOR REFERENCE SCALE 4/1



LEFT POLARIZING/GUIDE BACKPLANE FOOTPRINT



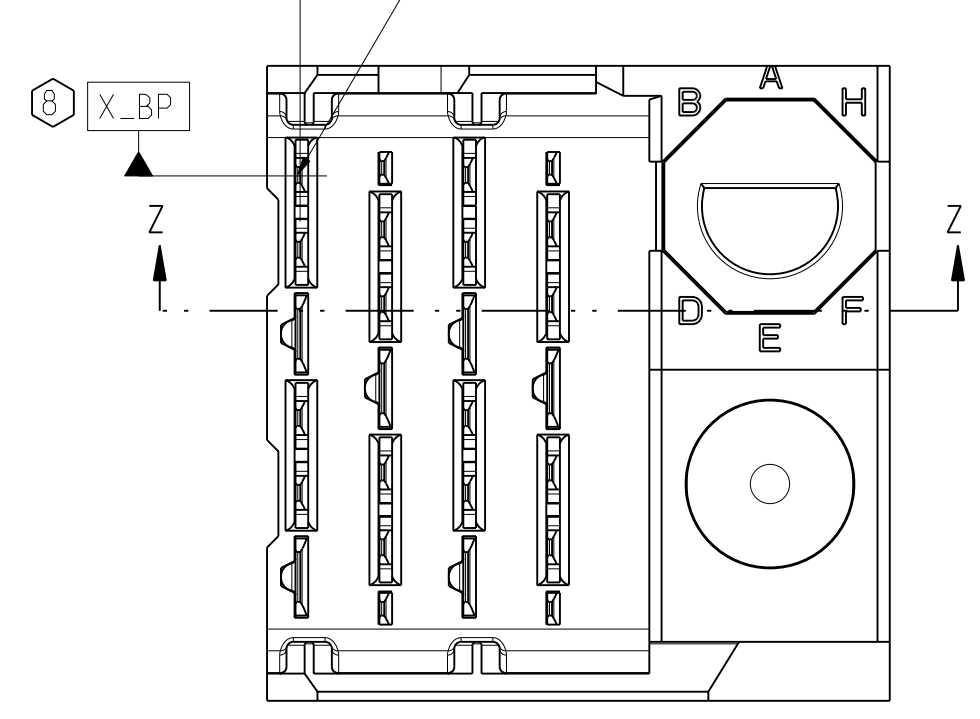
TOLERANCES		DESIGN 05/20/2009	<b>Amphenol TCS</b> A Division of Amphenol Corporation 200 Innovative Way, Nashua, NH 03062 603.879.3000	TITLE	
0.0	$\pm 0.25$	A.ASTBURY		BACKPLANE MODULES, VERTICAL MALE HEADER	
0.00	$\pm 0.13$	HCL-MH		XCede, 2 PAIR & POSITION	
0.000	$\pm -$	A.ASTBURY		PART NO.	SEE PN TREE SHEET 1
ANGLES	$\pm 3^\circ$	D.SMITH		DRAWING NO.	C951-200J-500
UNLESS OTHERWISE SPECIFIED DIMENSIONS ARE IN MM. DECIMAL MARKER IS A PERIOD			REV	N/A	
INTERPRET PER ASME Y14.5M CODE IDENT 31413			REV	A	
CUSTOMER USE DRAWING			PRO/E TYPE	C951-200J-BP2-4WAF	1.1
			PRO/E DRAWING	C951-200J-500	A.O.
SIZE	D	SCALE	6/1	SHEET	3 OF 8

DRW NO. C951-200J-500

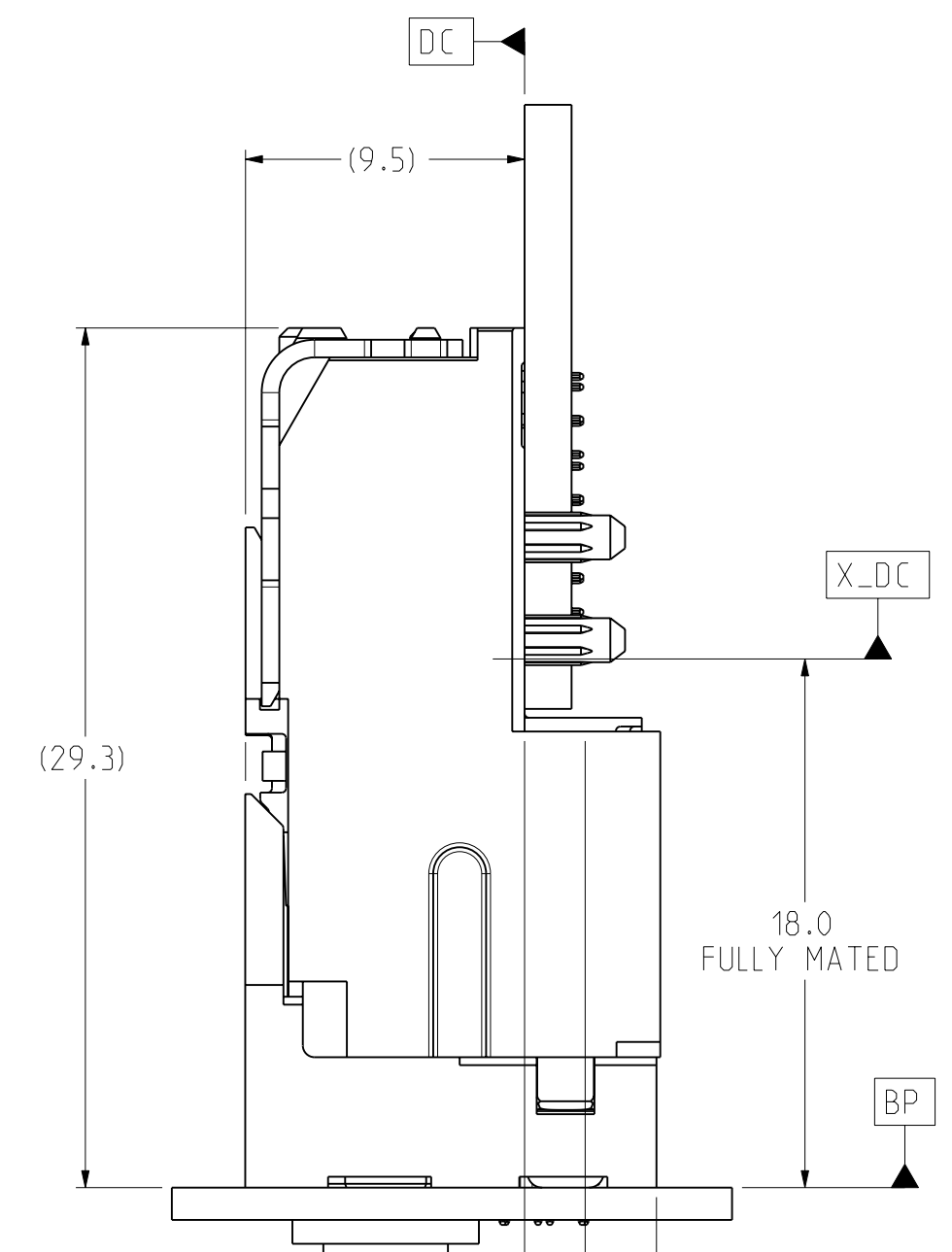
SH 3 REV A

ZONE	REV	SCR NUMBER	DESCRIPTION	BY	DATE	APPROVED
			SEE SHEET 1			

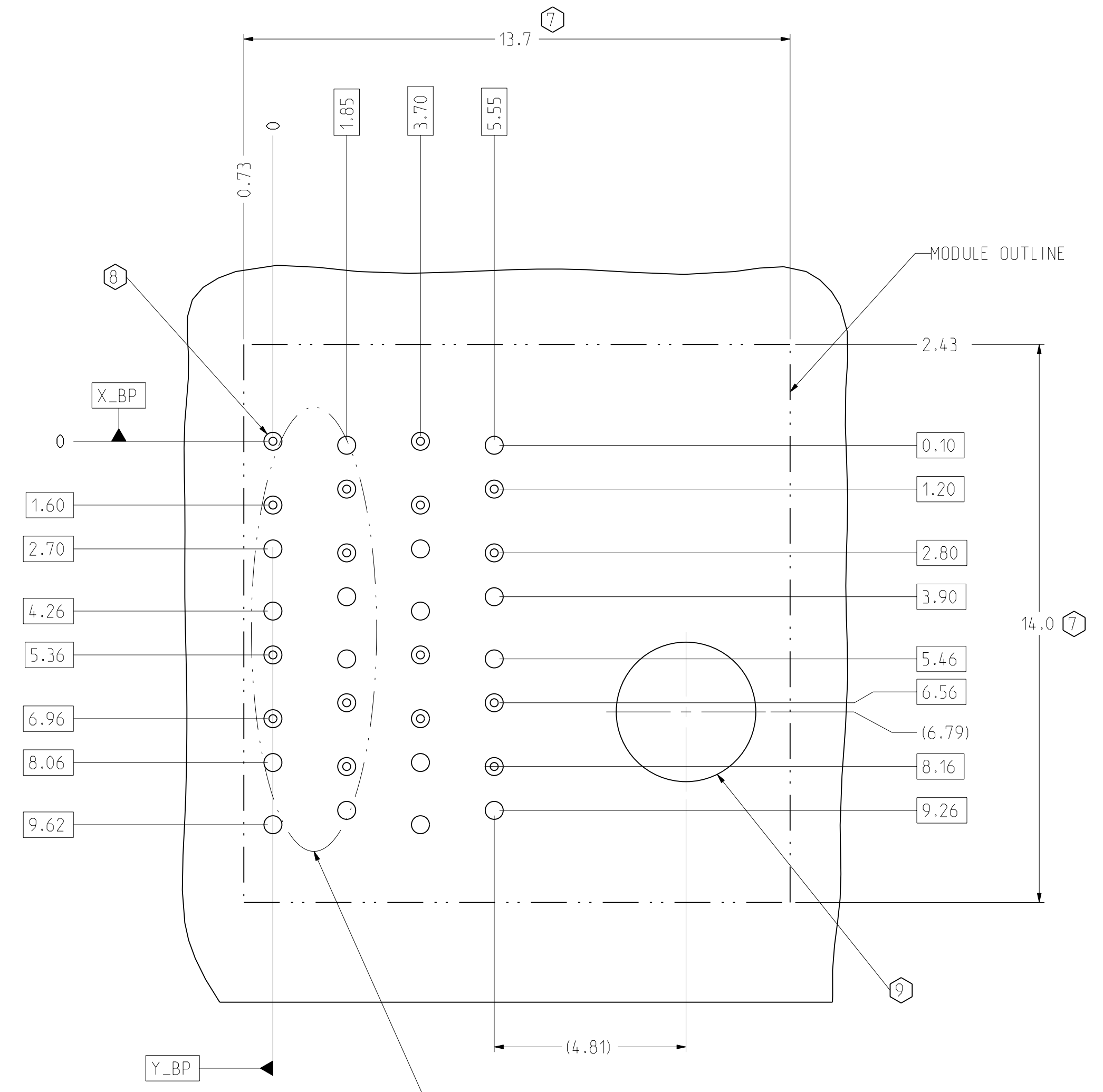
DATUMS X\_BP AND Y\_BP INTERSECT THE SIGNAL A1 VIA ON BACKPLANE



RIGHT POLARIZING/GUIDE BACKPLANE MODULE DIMENSION



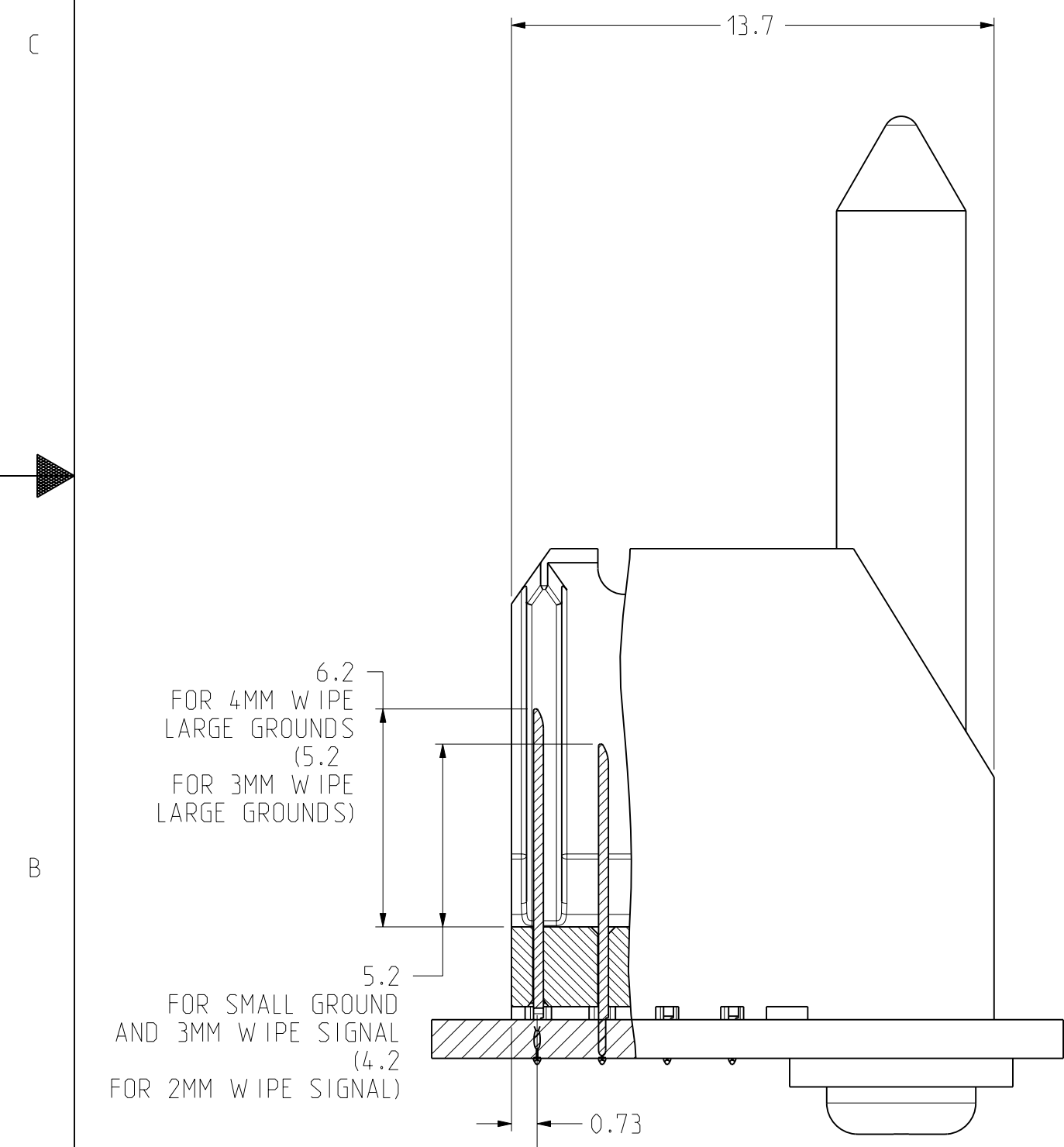
FROM TOP OF DC PCB TO CL OF ROW A ON BP  
CONNECTOR REFERENCE SCALE 4/1



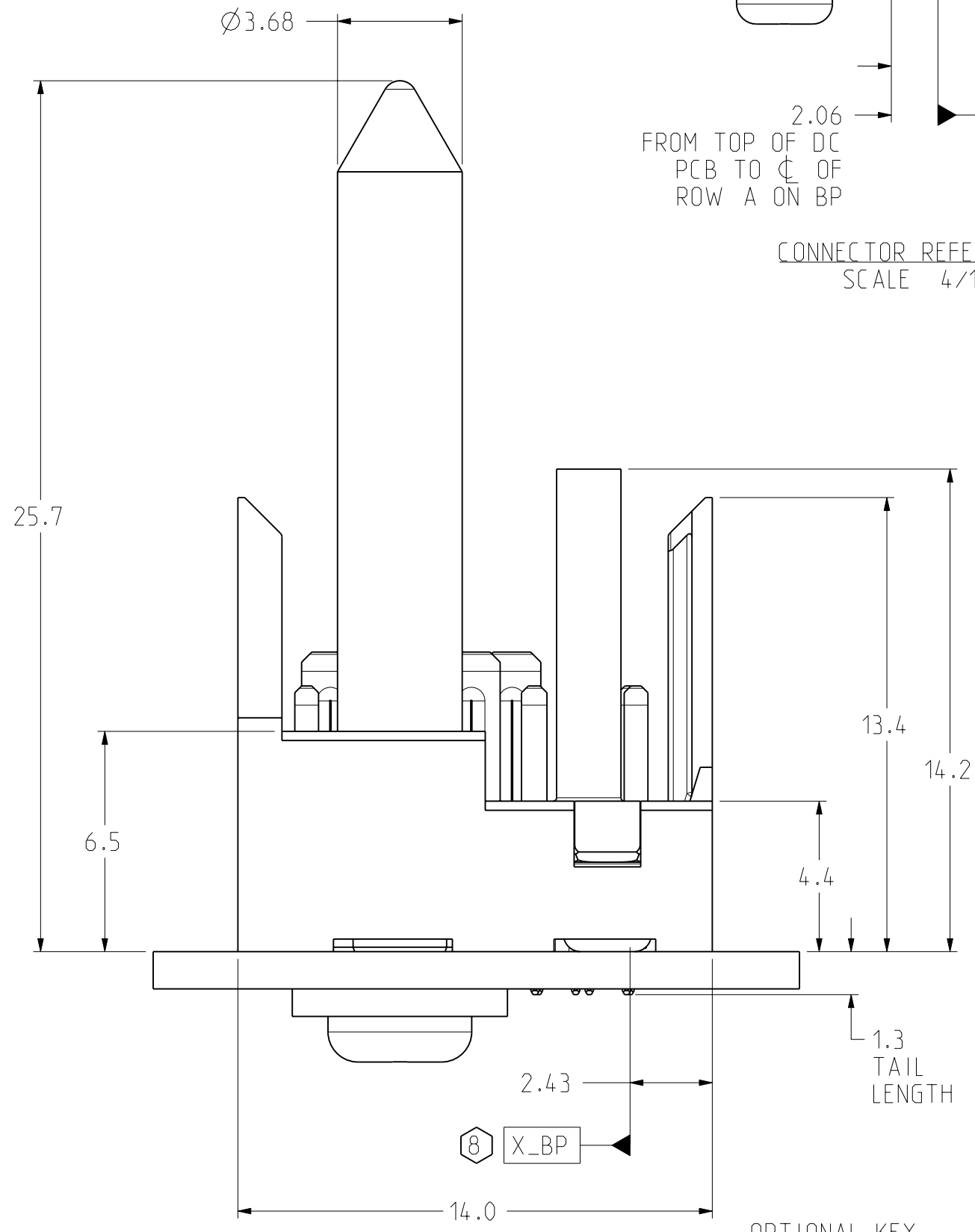
SEE DETAIL A & B SEE SHEET 8 FOR PINOUT DETAILS

BP HOLE PATTERN COMPONENT SIDE SCALE 10/1

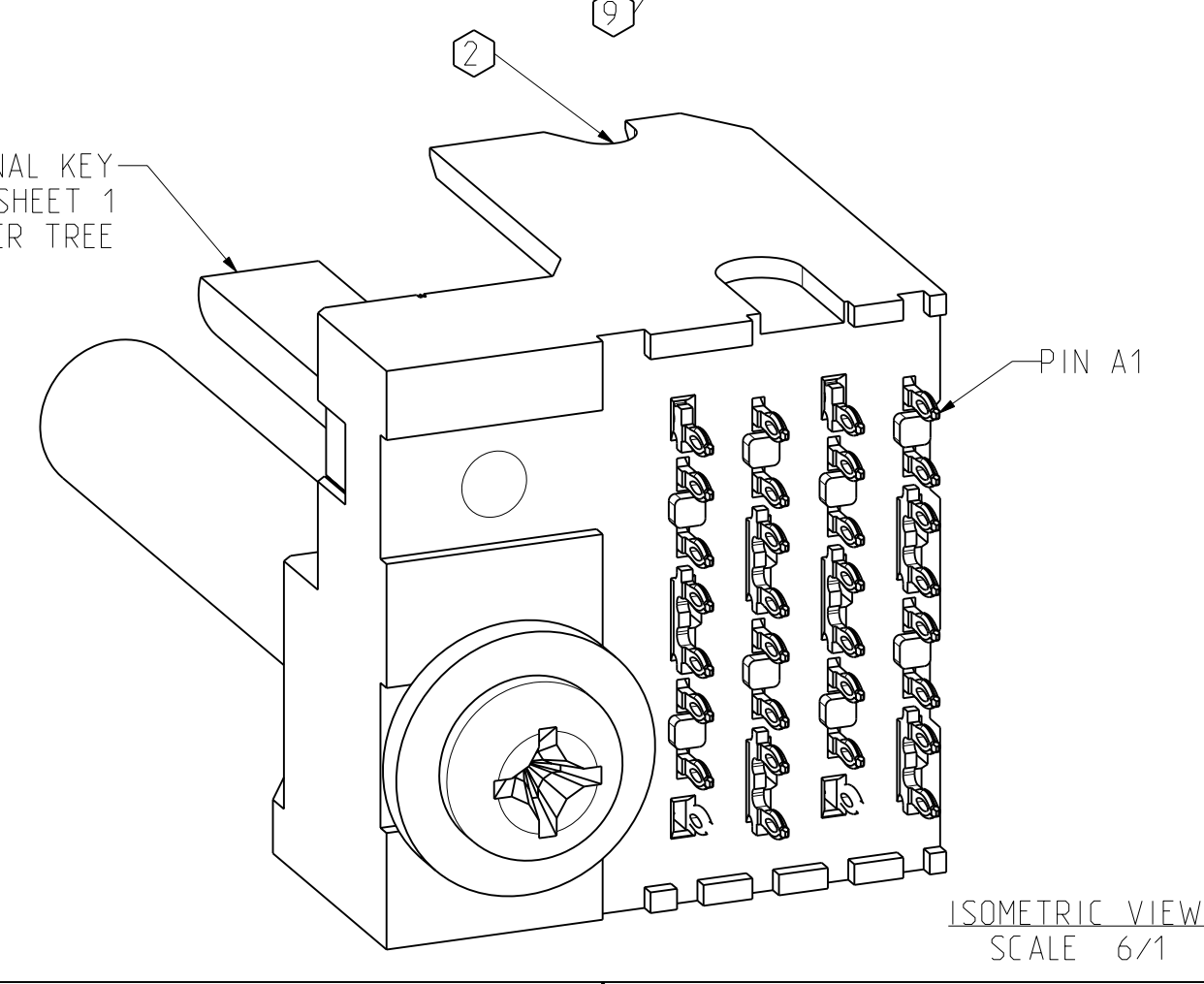
RIGHT POLARIZING/GUIDE BACKPLANE FOOTPRINT



SECTION Z-Z



OPTIONAL KEY SEE SHEET 1 PART NUMBER TREE



ISOMETRIC VIEW SCALE 6/1

TOLERANCES		DESIGN	Amphenol TCS	
0.0	±0.25	05/20/2009	A Division of Amphenol Corporation	
0.00	±0.13	A.ASTBURY	200 Innovative Way, Nashua, NH 03062 603.879.3000	
0.000	± -	HCL-MH	TITLE BACKPLANE MODULES, VERTICAL MALE HEADER Xcde. 2 PAIR & POSITION	
ANGLES	± 3°	CHK 02/25/2010 A.ASTBURY	PART NO.	SEE PN TREE SHEET 1
UNLESS OTHERWISE SPECIFIED DIMENSIONS ARE IN MM. DECIMAL MARKER IS A PERIOD			DRAWING NO.	C951-200J-500
			PROJ. TYPE	C951-200J-BP2-4 WAF
			PROJ. DRAWING	C951-200J-500
CUSTOMER USE DRAWING		SCALE		6/1
		SHEET		4 OF 8

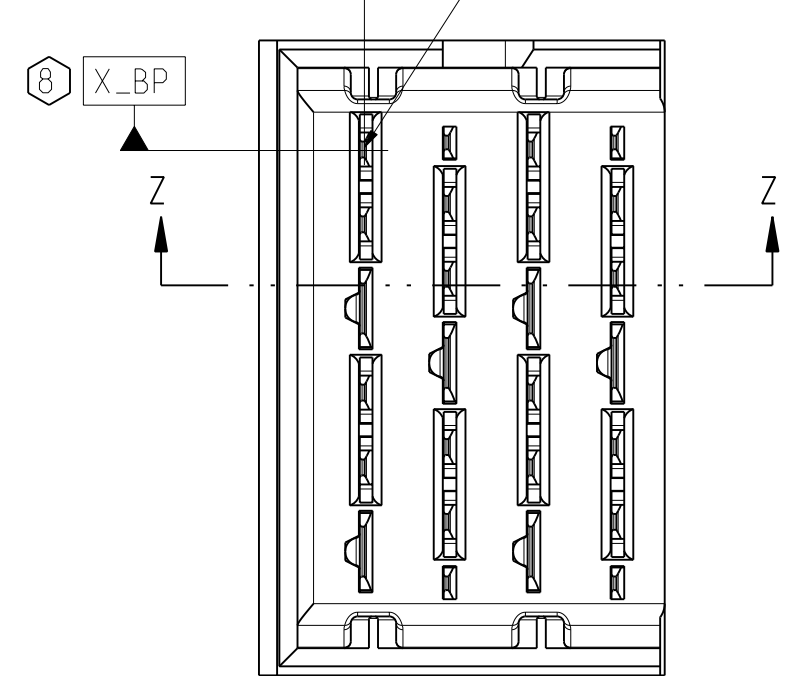
INTERPRET PER ASME Y14.5M  
CODE IDENT 31413

DRW NO. C951-200J-500

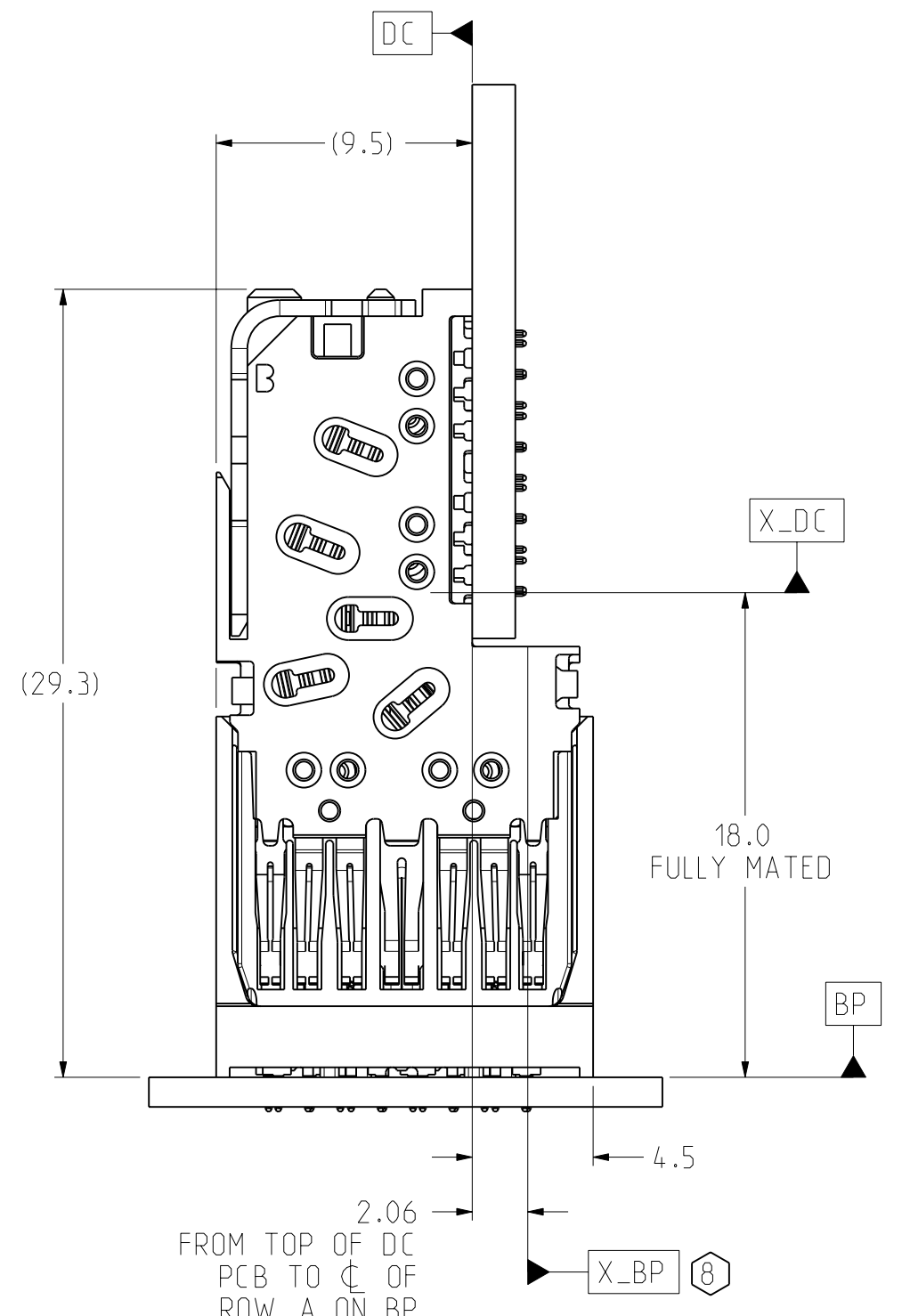
SH 4 REV A

ZONE	REV	SCR NUMBER	DESCRIPTION	BY	DATE	APPROVED
			SEE SHEET 1			

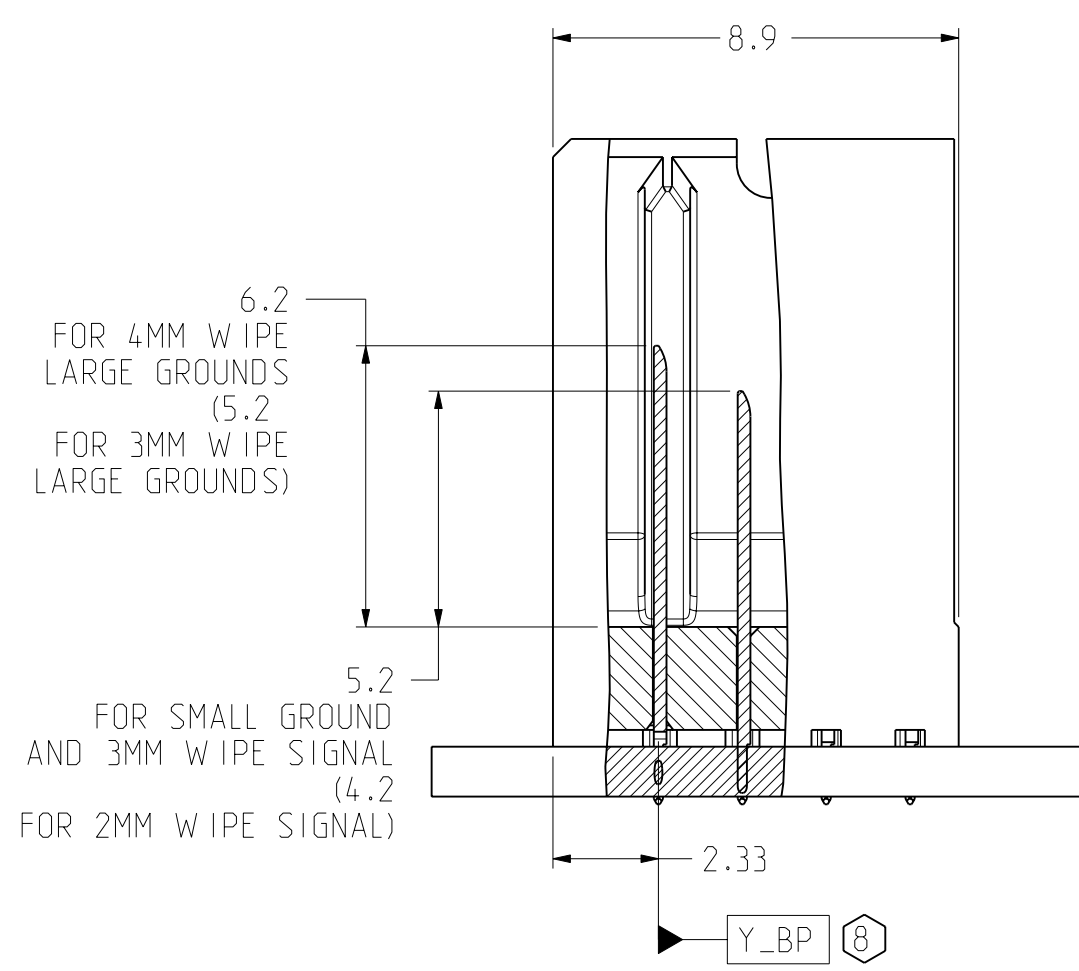
DATUMS X\_BP AND Y\_BP INTERSECT THE SIGNAL A1 VIA ON BACKPLANE



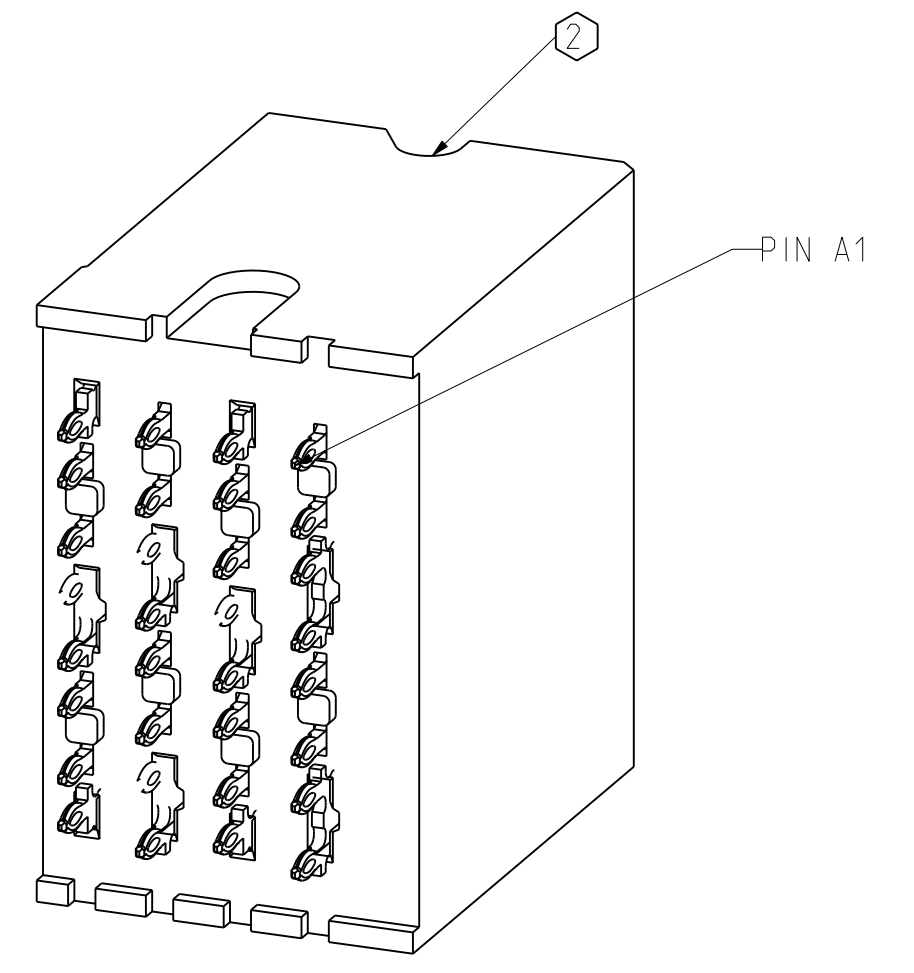
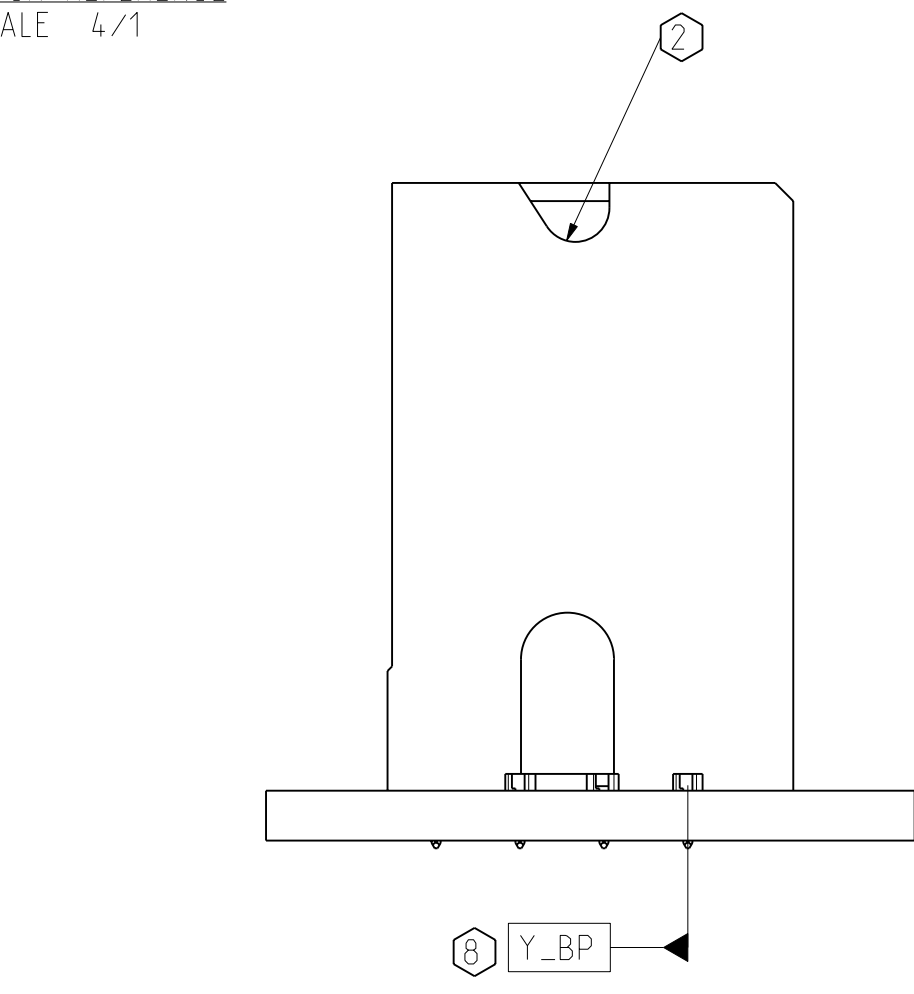
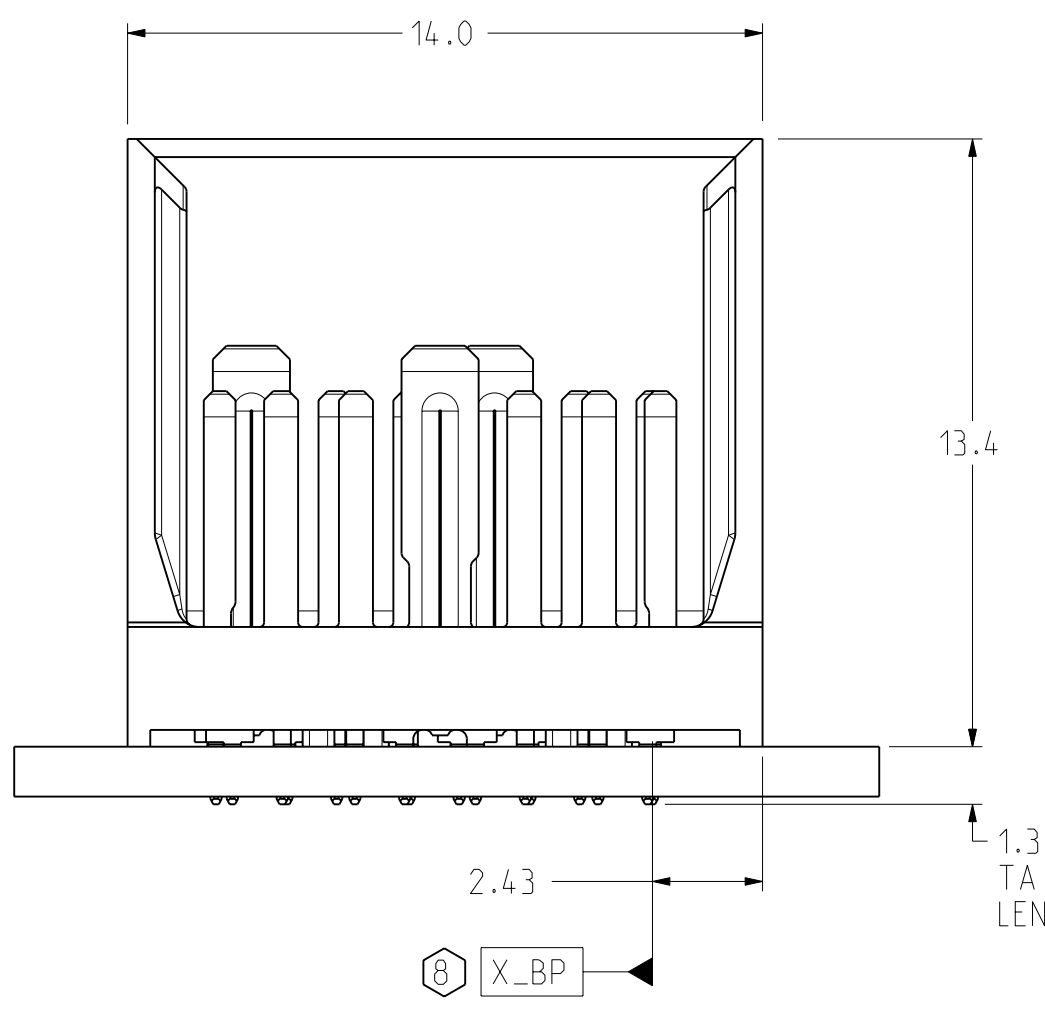
LEFT WALL BACKPLANE MODULE DIMENSION



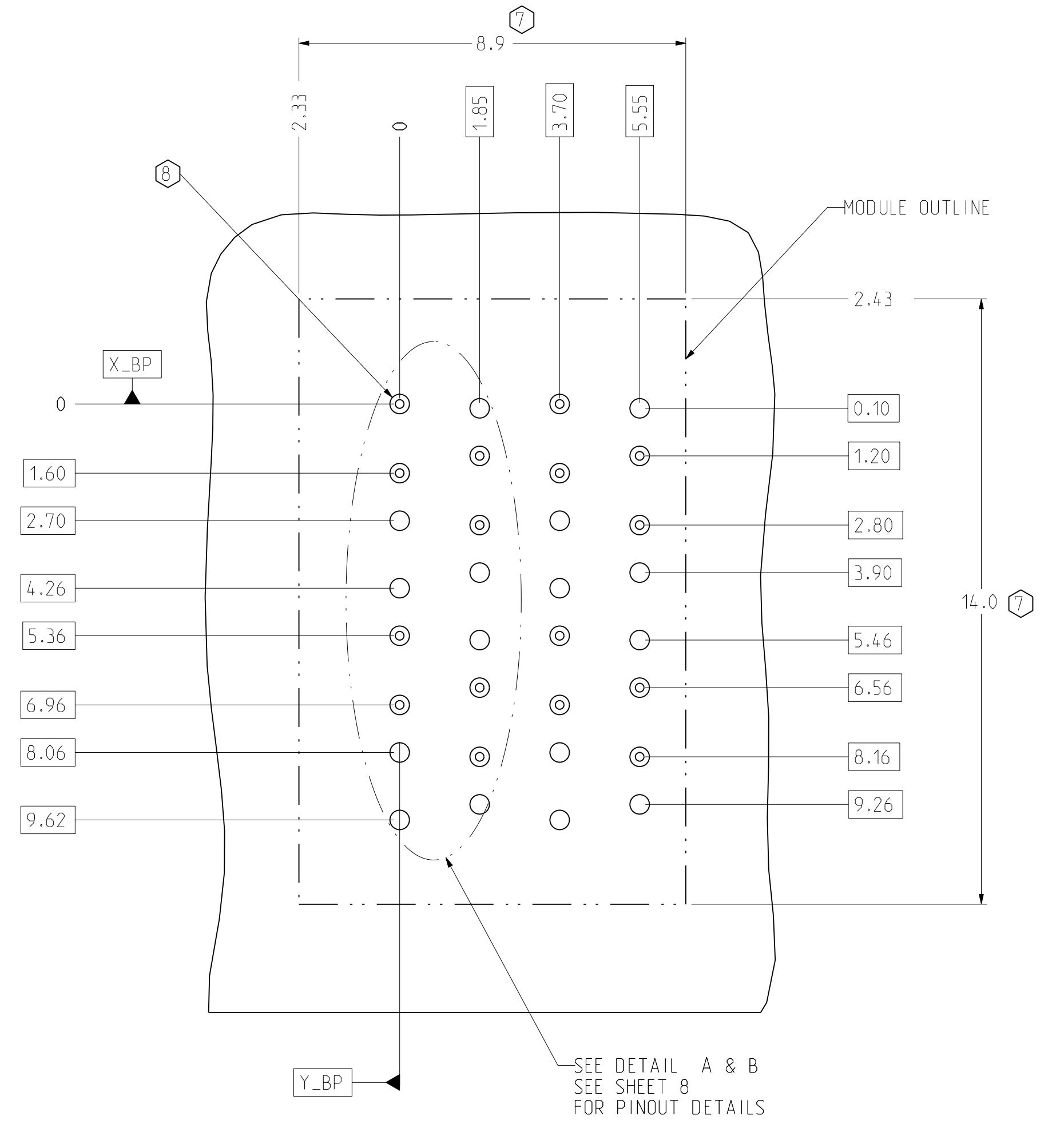
CONNECTOR REFERENCE SCALE 4/1



SECTION Z-Z



ISOMETRIC VIEW SCALE 6/1



BP HOLE PATTERN COMPONENT SIDE SCALE 10/1

LEFT WALL BACKPLANE FOOTPRINT

TOLERANCES		DESIGN	Amphenol TCS	
0.0	±0.25	05/20/2009	A Division of Amphenol Corporation	
0.00	±0.13	A.ASTBURY	200 Innovative Way, Nashua, NH 03062 803.879.3000	
0.000	± -	HCL-MH	TITLE BACKPLANE MODULES, VERTICAL MALE HEADER	
ANGLES	± 3°	A.ASTBURY	XCede, 2 PAIR & POSITION	
UNLESS OTHERWISE SPECIFIED DIMENSIONS ARE IN MM. DECIMAL MARKER IS A PERIOD		D.SMITH	PART NO.	SEE PN TREE SHEET 1
			DRAWING NO.	C951-200J-500
			Rev	A
			Pro/E Type	C951-200J-BP2-4 WAF 1.1
			Pro/E Drawing	C951-200J-500 A.O
SIZE	D	SCALE	6/1	SHEET 5 OF 8

INTERPRET PER ASME Y14.5M  
CODE IDENT 31413

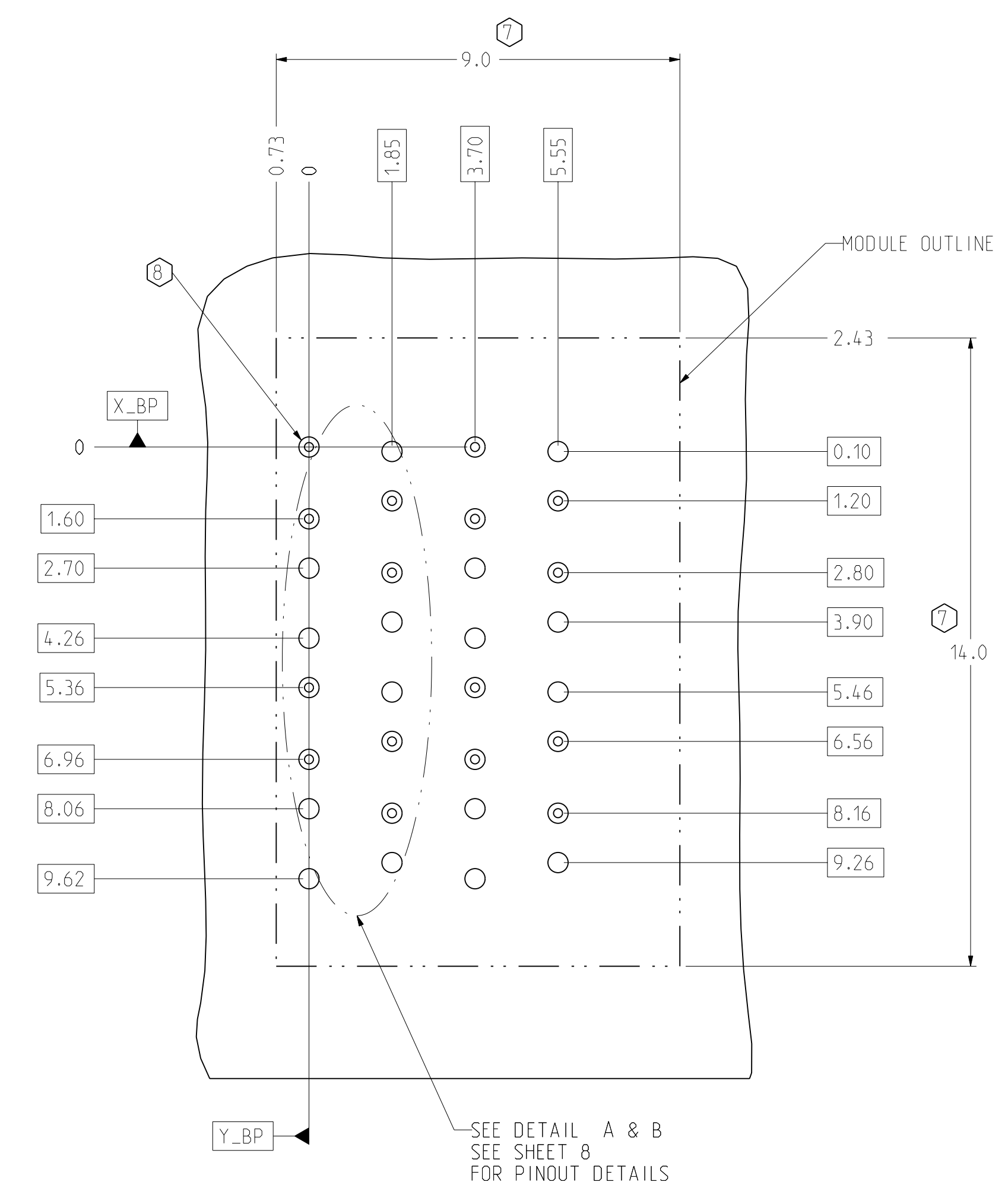
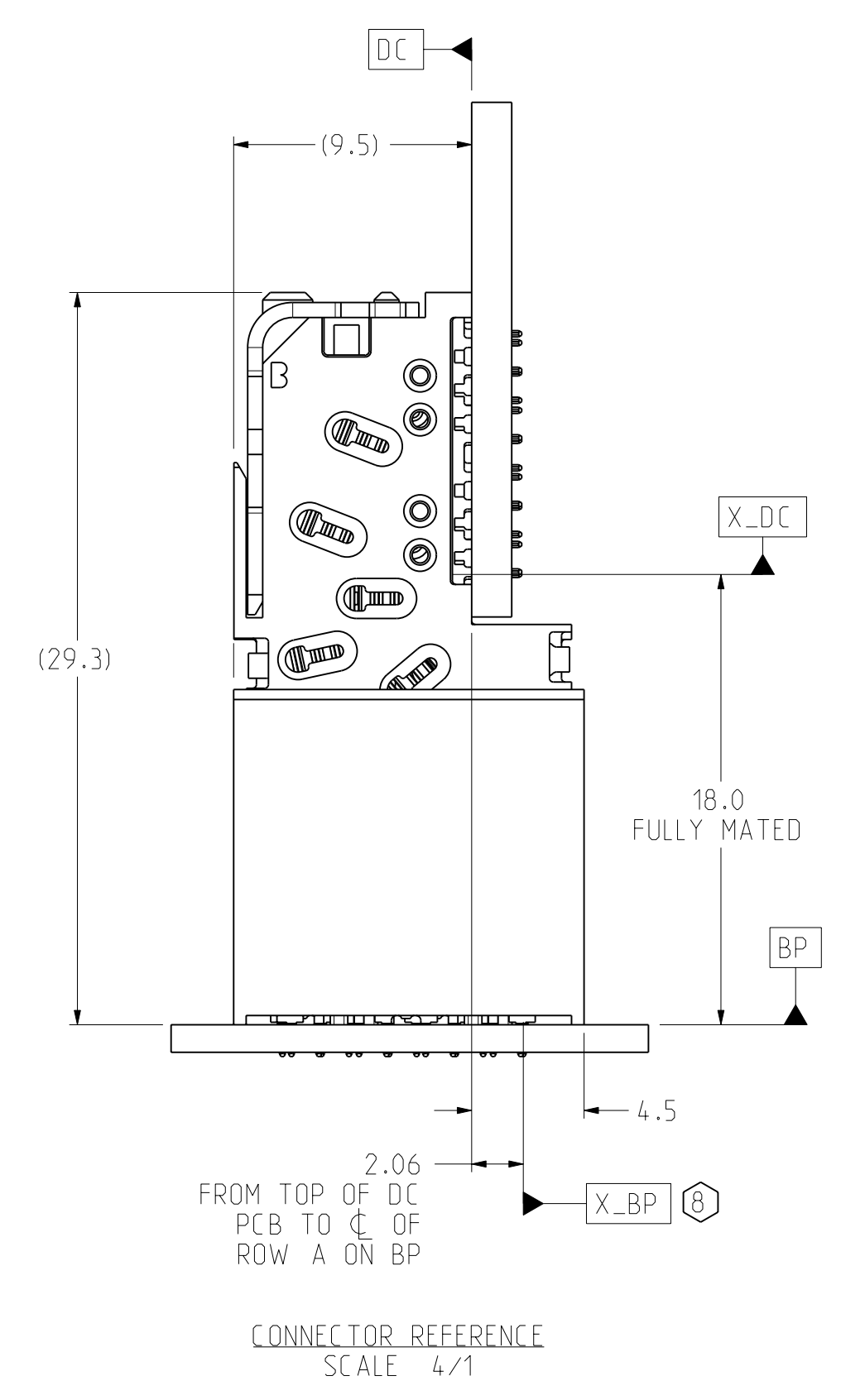
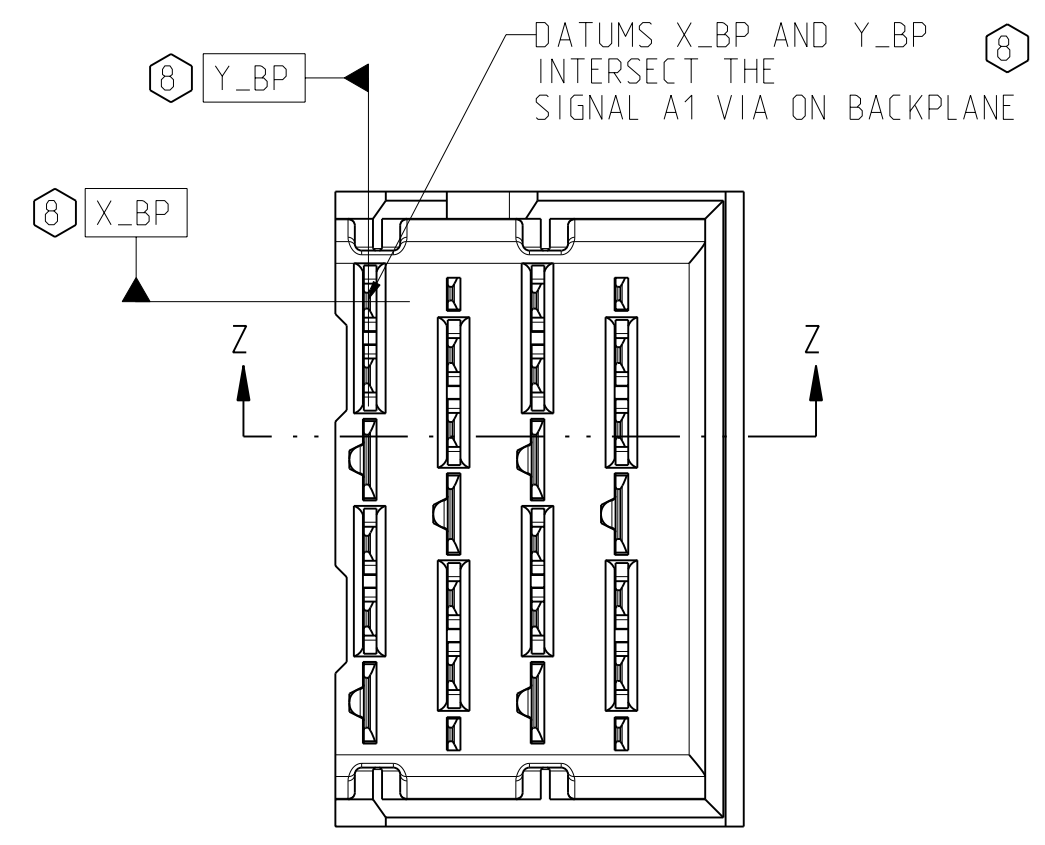
CUSTOMER USE DRAWING

DRW NO. C951-200J-500

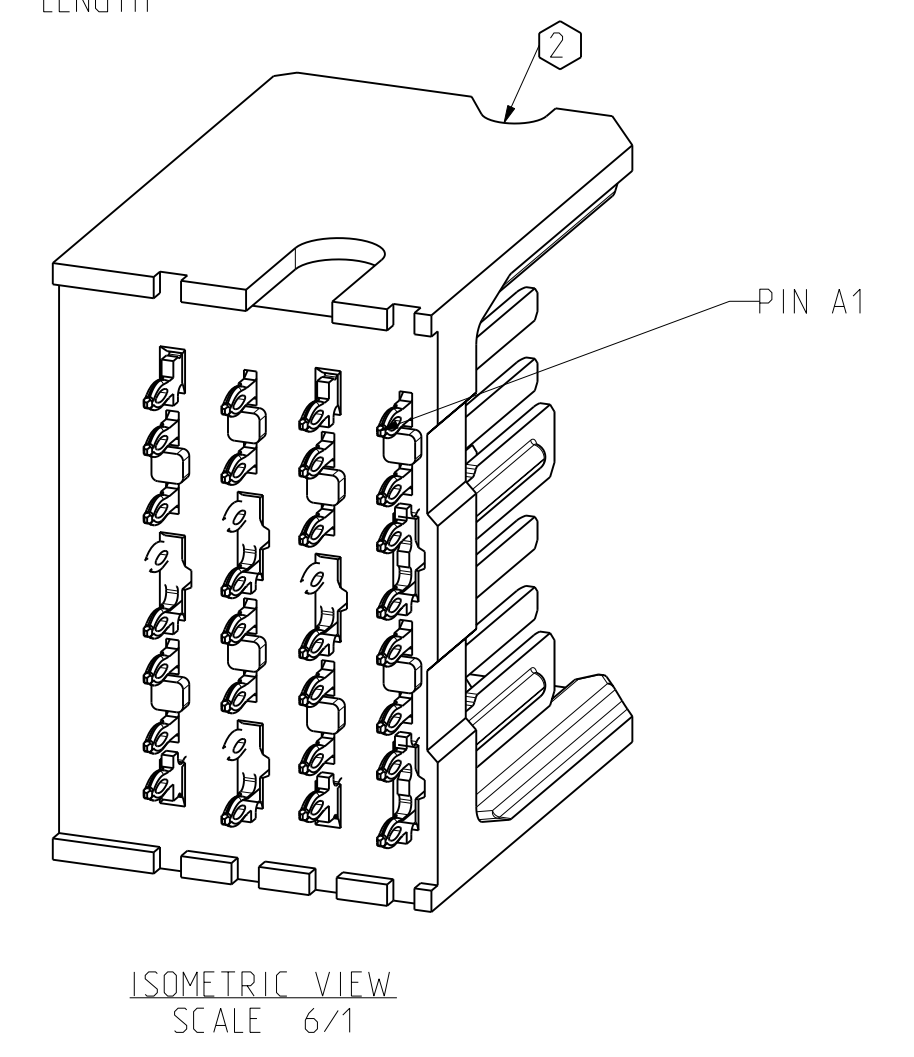
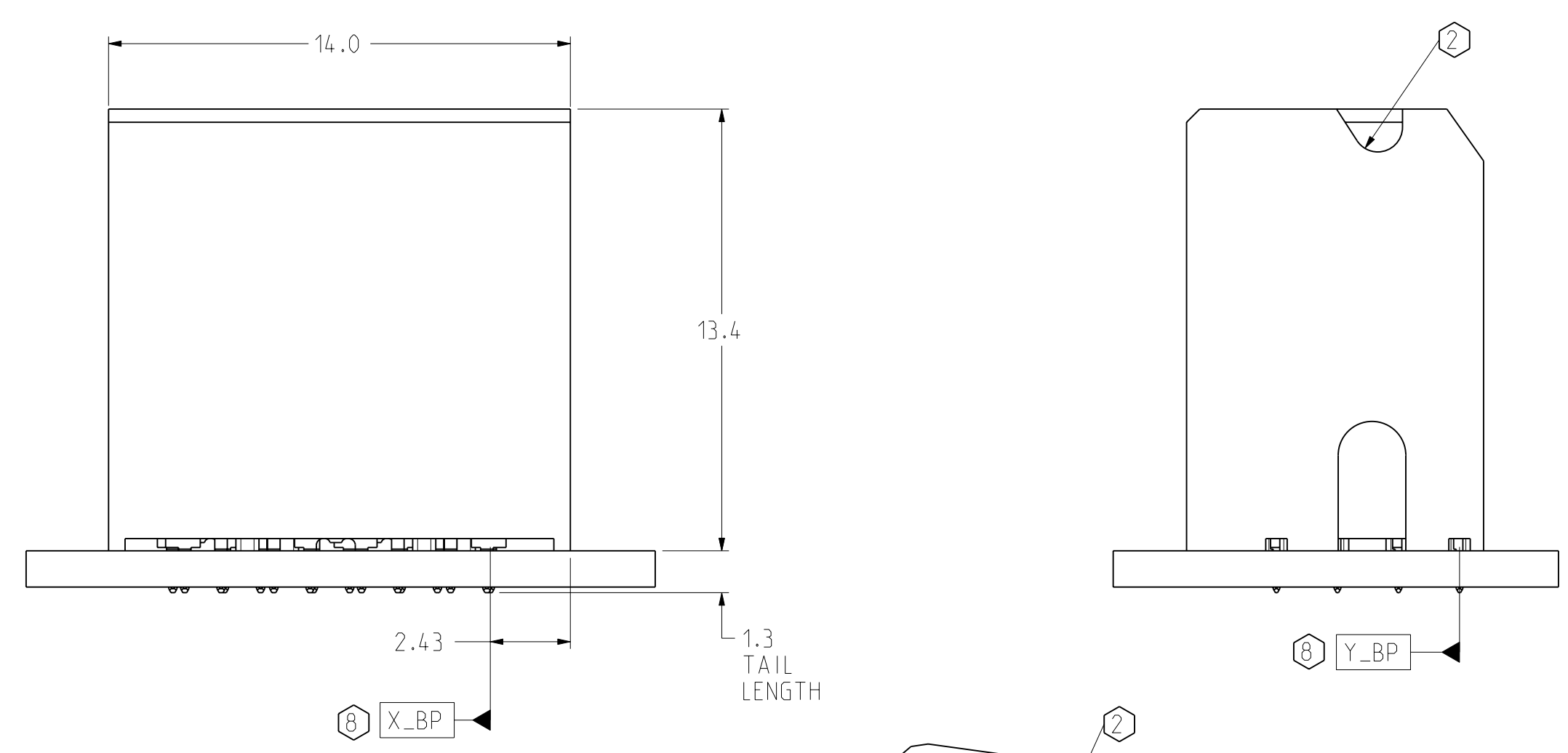
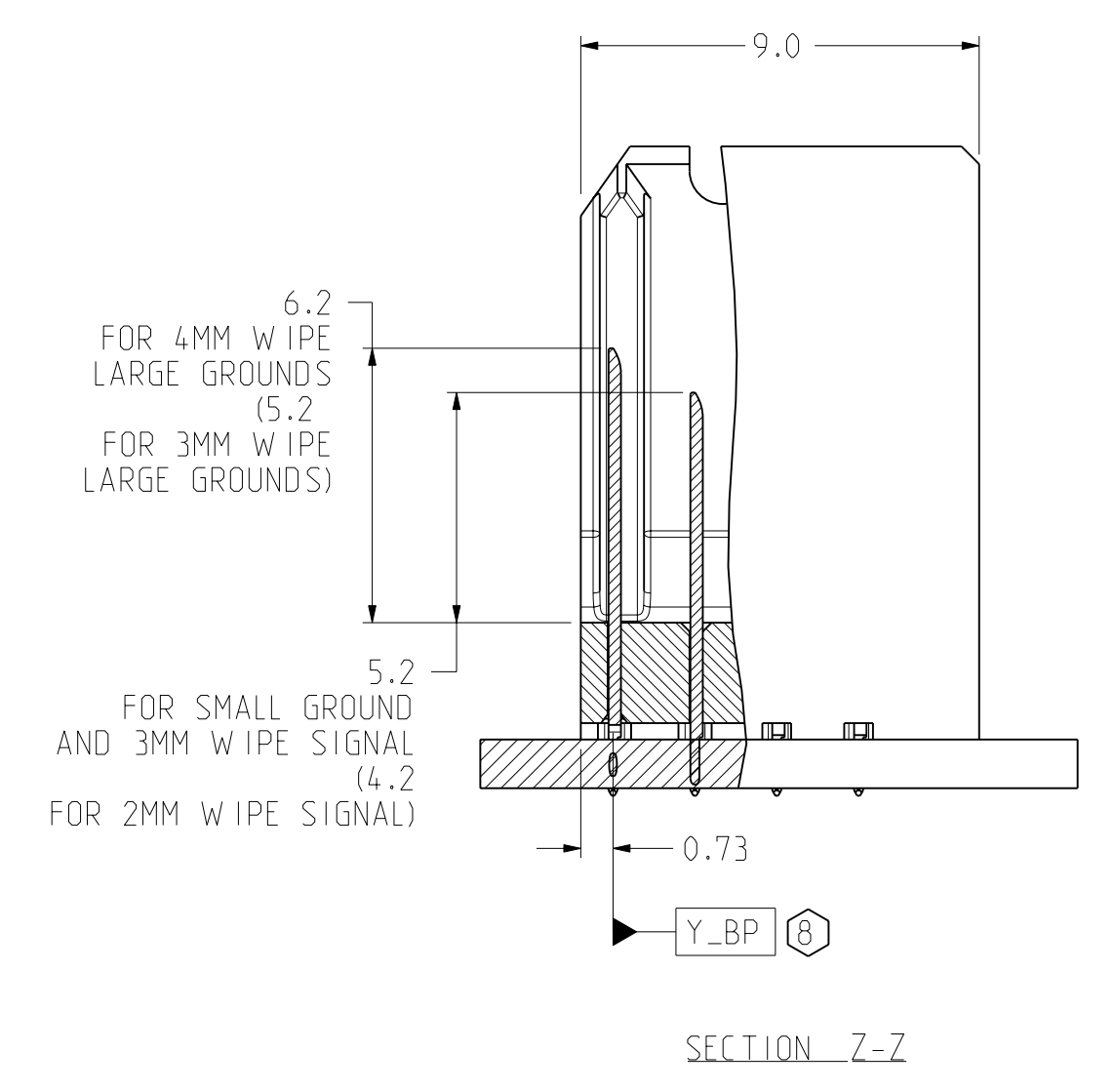
SH 5 REV A

1

DRW NO.	C951-200J-500	SH	6	REV	A	
ZONE	REV	SCR NUMBER	DESCRIPTION	BY	DATE	APPROVED
			SEE SHEET 1			



RIGHT WALL BACKPLANE MODULE DIMENSION



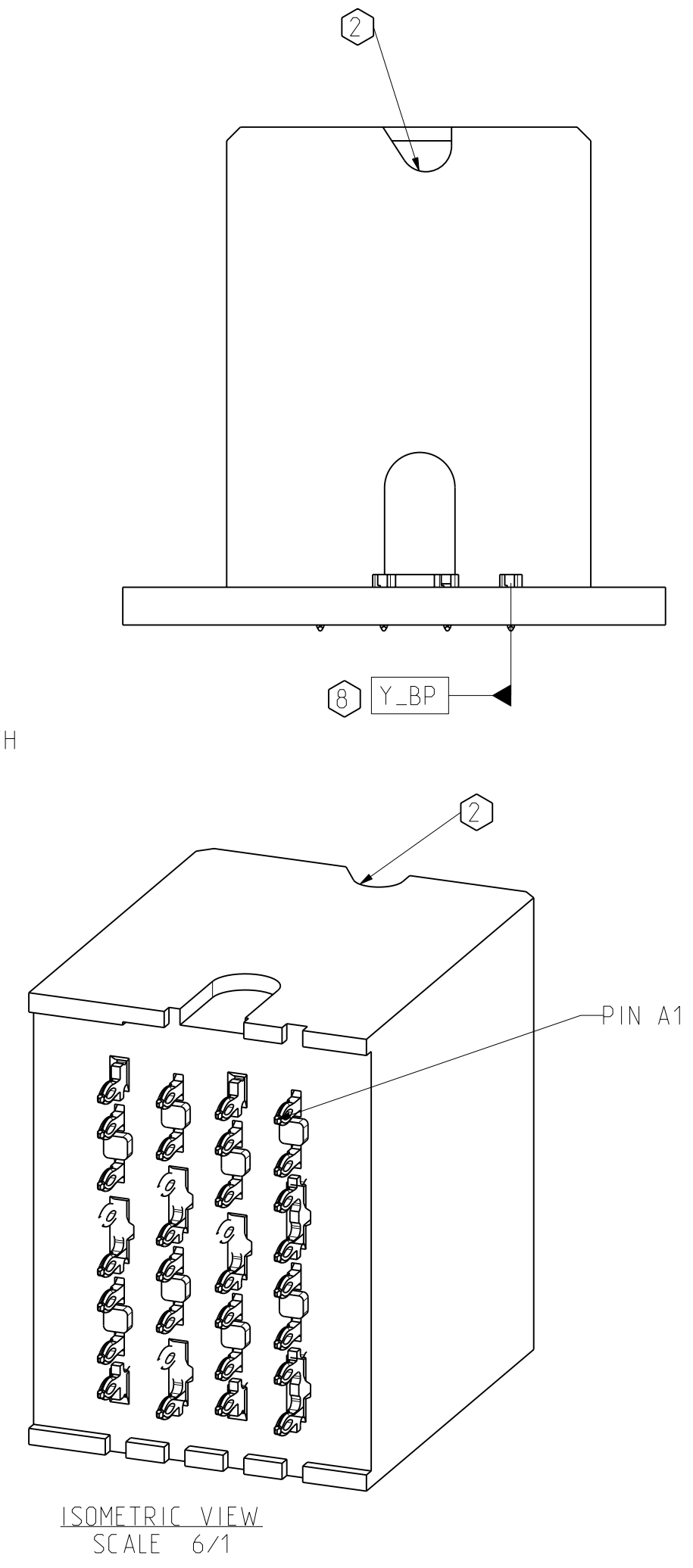
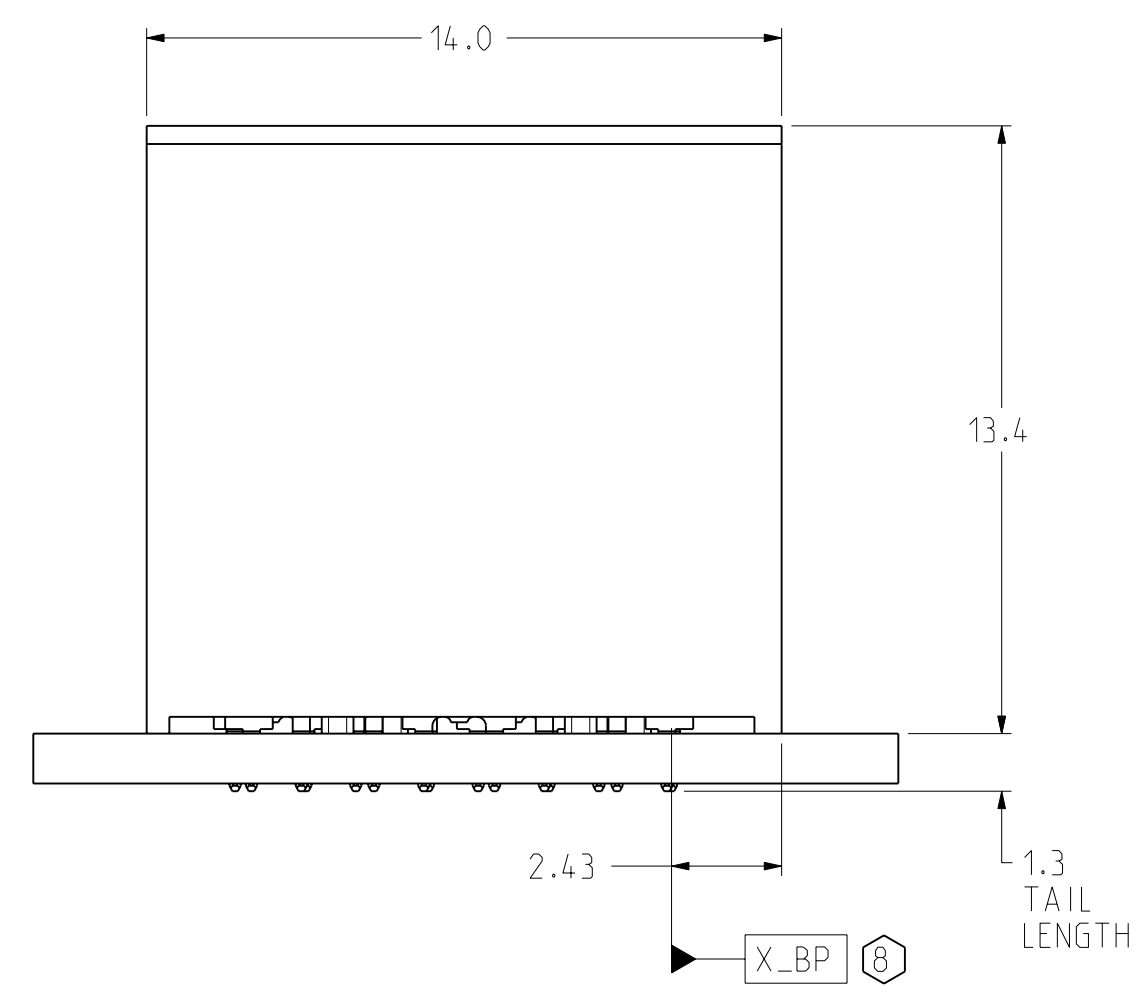
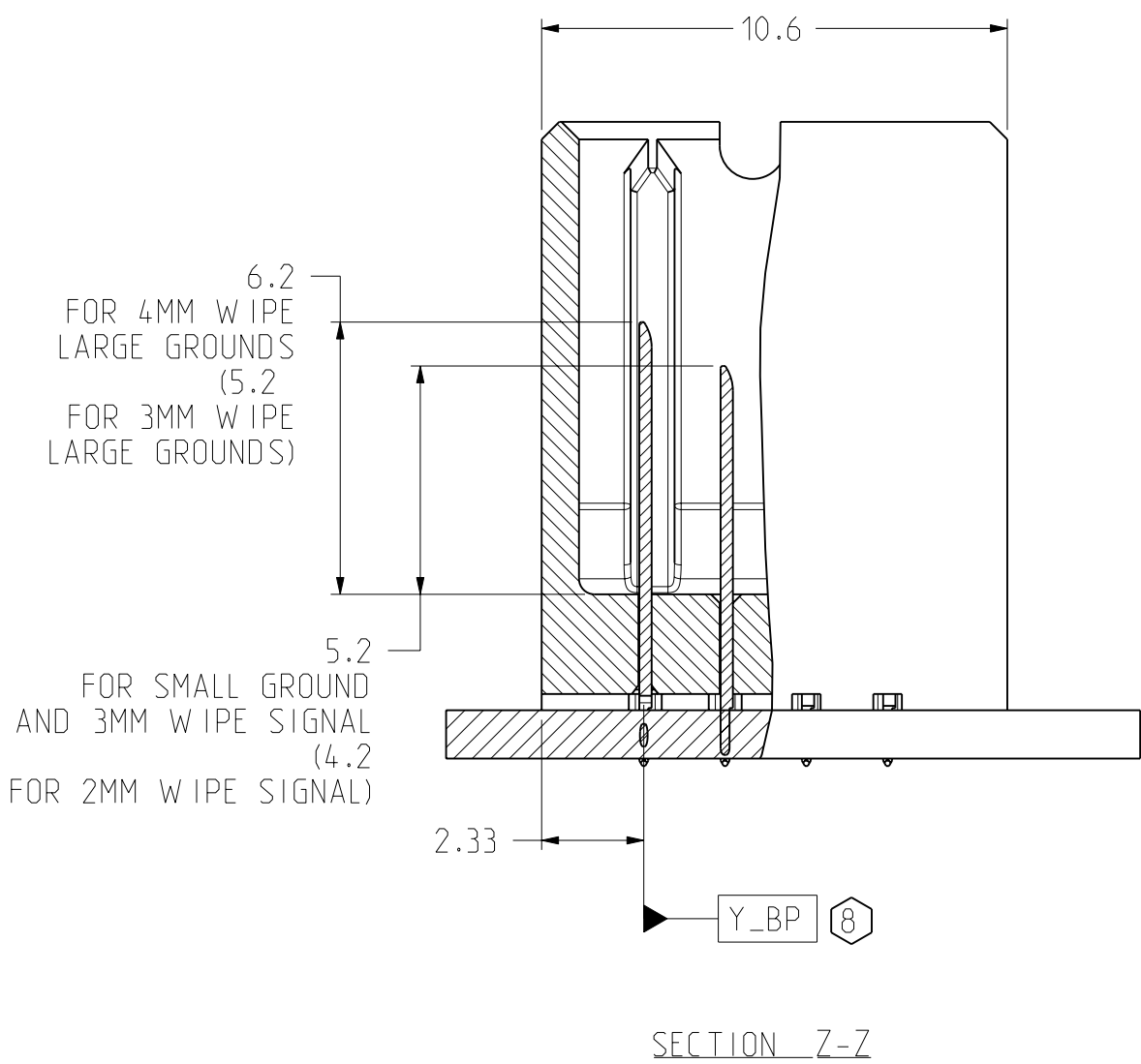
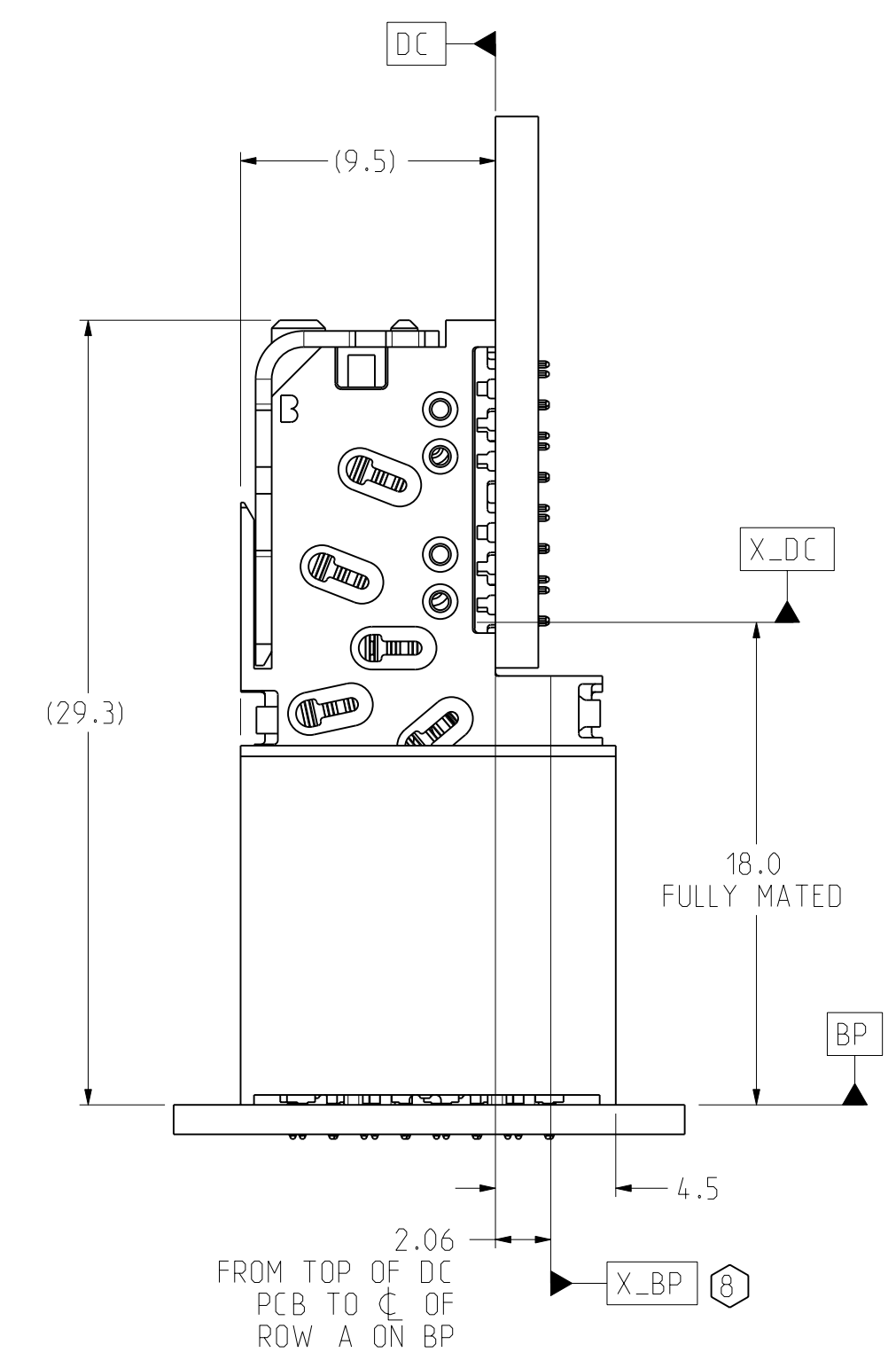
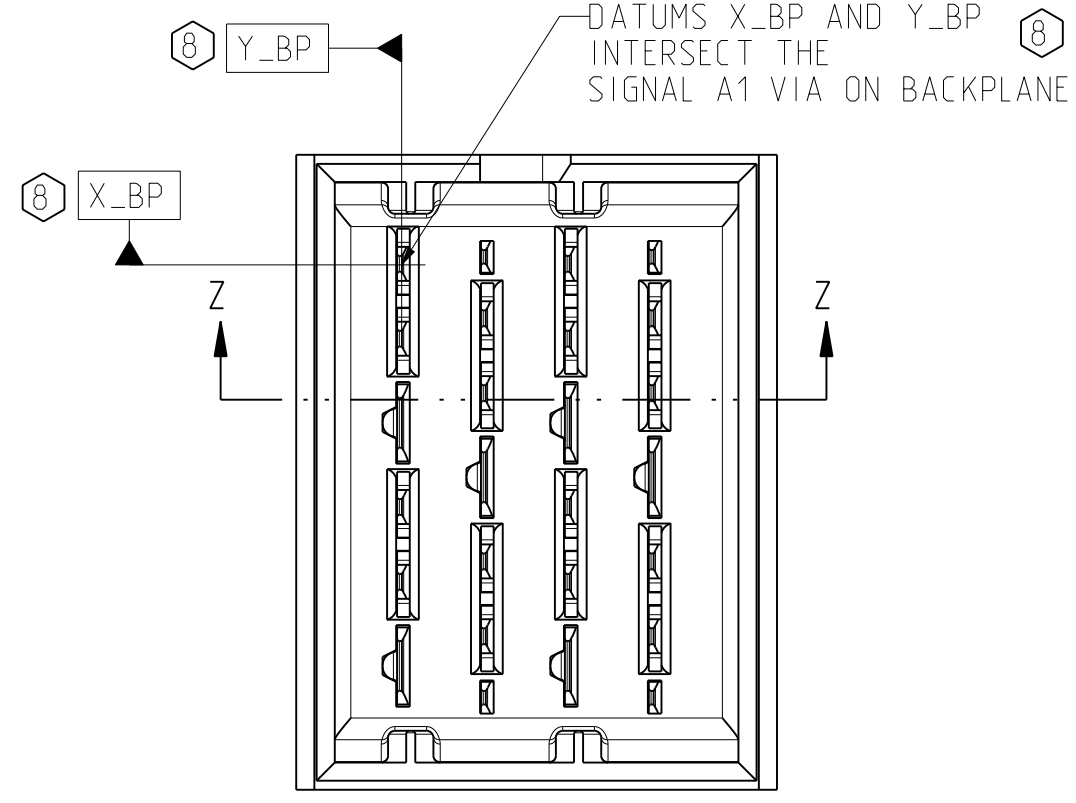
RIGHT WALL BACKPLANE FOOTPRINT

TOLERANCES		DESIGN 05/20/2009 A.ASTBURY	<b>Amphenol TCS</b> A Division of Amphenol Corporation 200 Innovative Way, Nashua, NH 03062 603.879.3000	TITLE BACKPLANE MODULES, VERTICAL MALE HEADER Xcde: 2 PAIR & POSITION		
0.0	±0.25	DRAWN 02/25/2010 HCL-MH		PART NO. SEE PN TREE SHEET 1	REV N/A	
0.00	±0.13	CHK 02/25/2010 A.ASTBURY		DRAWING NO. C951-200J-500	REV A	
0.000	± -	APVD 02/25/2010 D.SMITH		Pro/E Type: C951-200J-BP2-4 WAF Pro/E Drawing: C951-200J-500	1.1 A.0	
ANGLES ± 3°			UNLESS OTHERWISE SPECIFIED DIMENSIONS ARE IN MM. DECIMAL MARKER IS A PERIOD			
INTERPRET PER ASME Y14.5M		CUSTOMER USE DRAWING		SIZE D	SHEET 6 OF 8	
CODE IDENT 31413		SCALE 6/1		SHEET 6 OF 8		

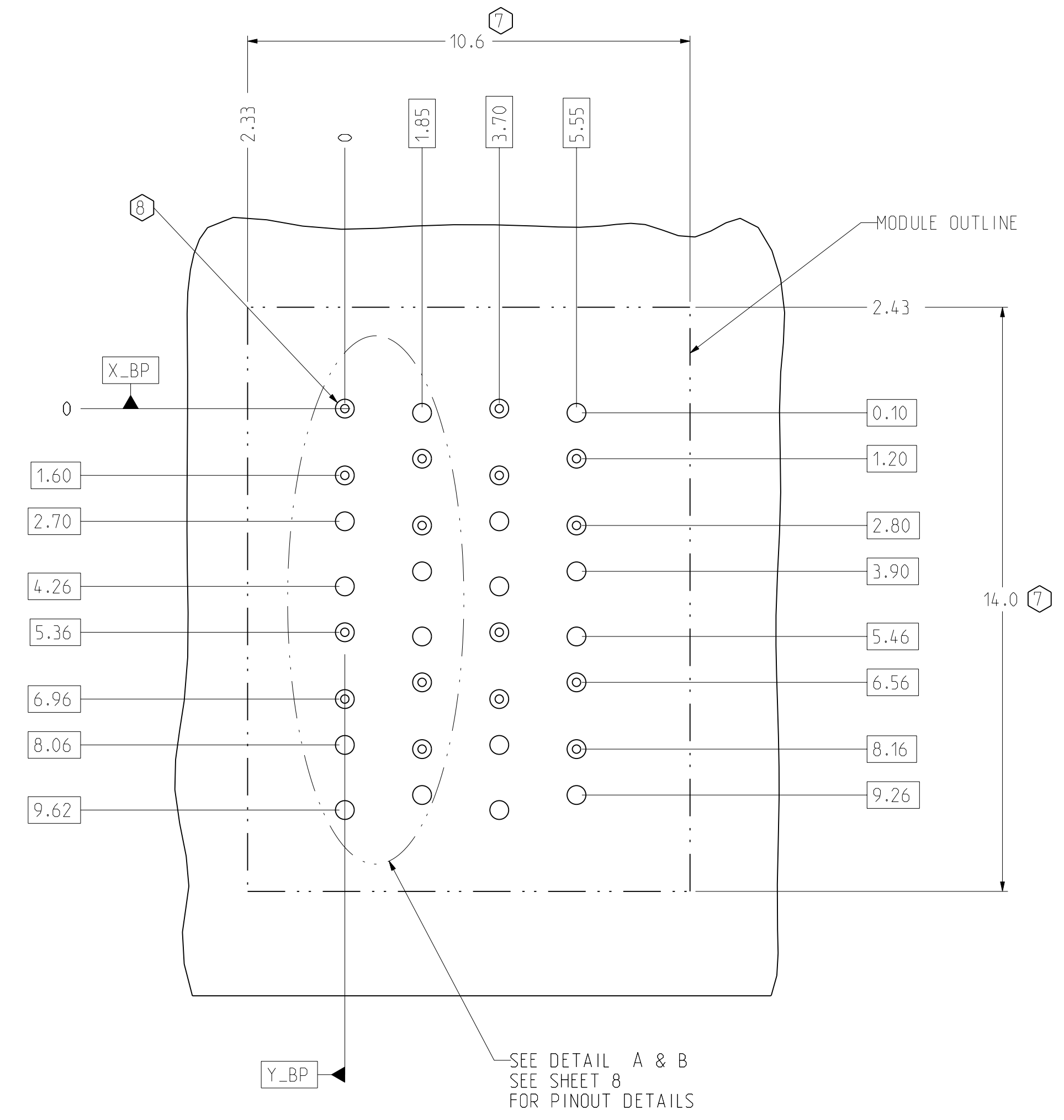
DRW NO. C951-200J-500

SH 6 REV A

TWO WALL BACKPLANE MODULE DIMENSION



TWO WALL BACKPLANE FOOTPRINT



TOLERANCES		DESIGN	Amphenol TCS		
0.0	±0.25	05/20/2009	A Division of Amphenol Corporation		
0.00	±0.13	A.ASTBURY	200 Innovative Way, Nashua, NH 03062 603.879.3000		
0.000	± -	HCL-MH	TITLE		
ANGLES	± 3°	A.ASTBURY	BACKPLANE MODULES, VERTICAL MALE HEADER		
		D.SMITH	XCede, 2 PAIR & POSITION		
		PART NO.		REV	
		SEE PN TREE SHEET 1		N/A	
		DRAWING NO.		REV	
		C951-200J-500		A	
		Pro/E type: C951-200J-BP2-4 WAF		1.1	
		Pro/E DRAWING: C951-200J-500		A.0	
SIZE	D	SCALE	6/1	SHEET	7 OF 8

UNLESS OTHERWISE SPECIFIED DIMENSIONS ARE IN MM. DECIMAL MARKER IS A PERIOD.

INTERPRET PER ASME Y14.5M

CODE IDENT 31413

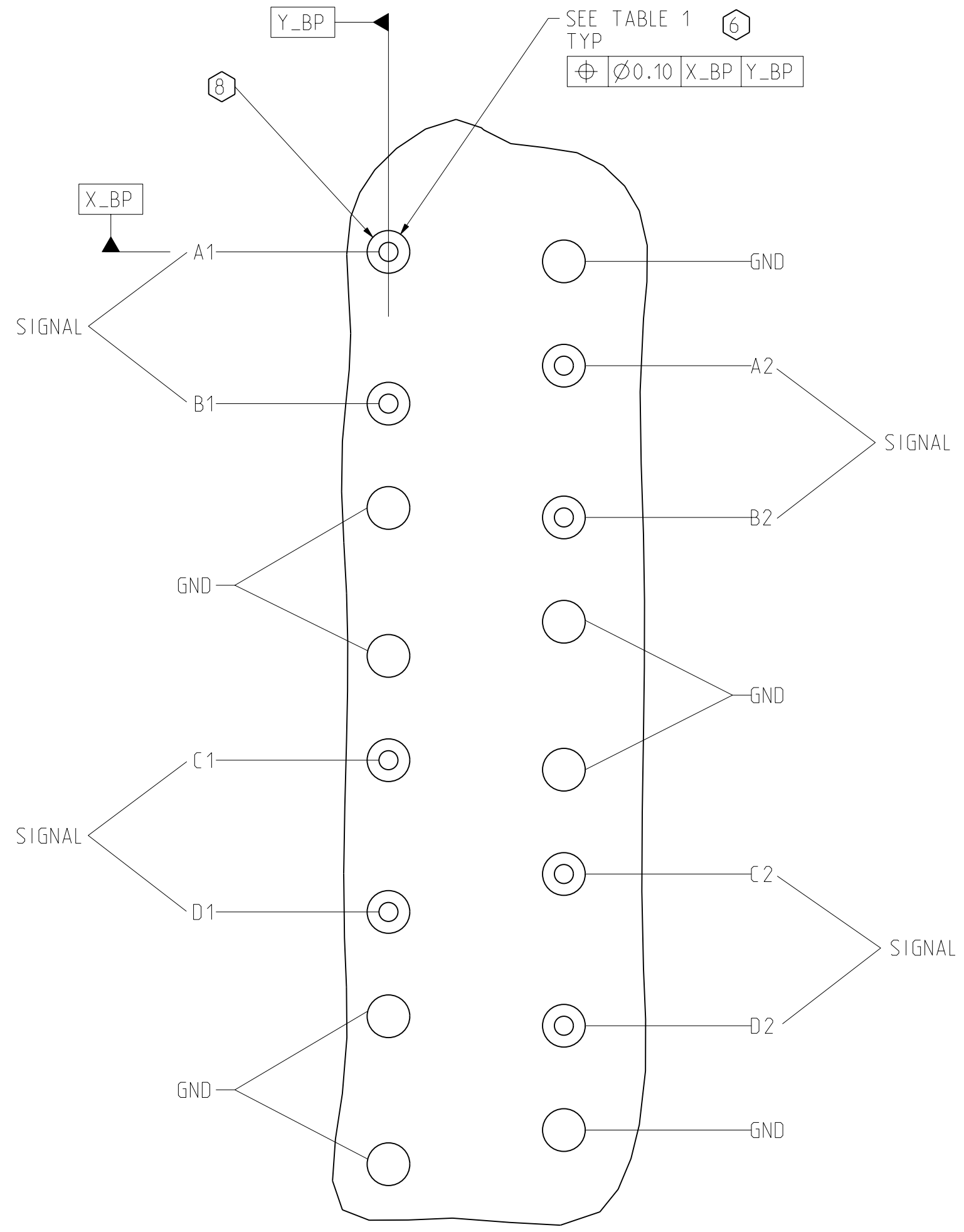
CUSTOMER USE DRAWING

DRW NO. C951-200J-500

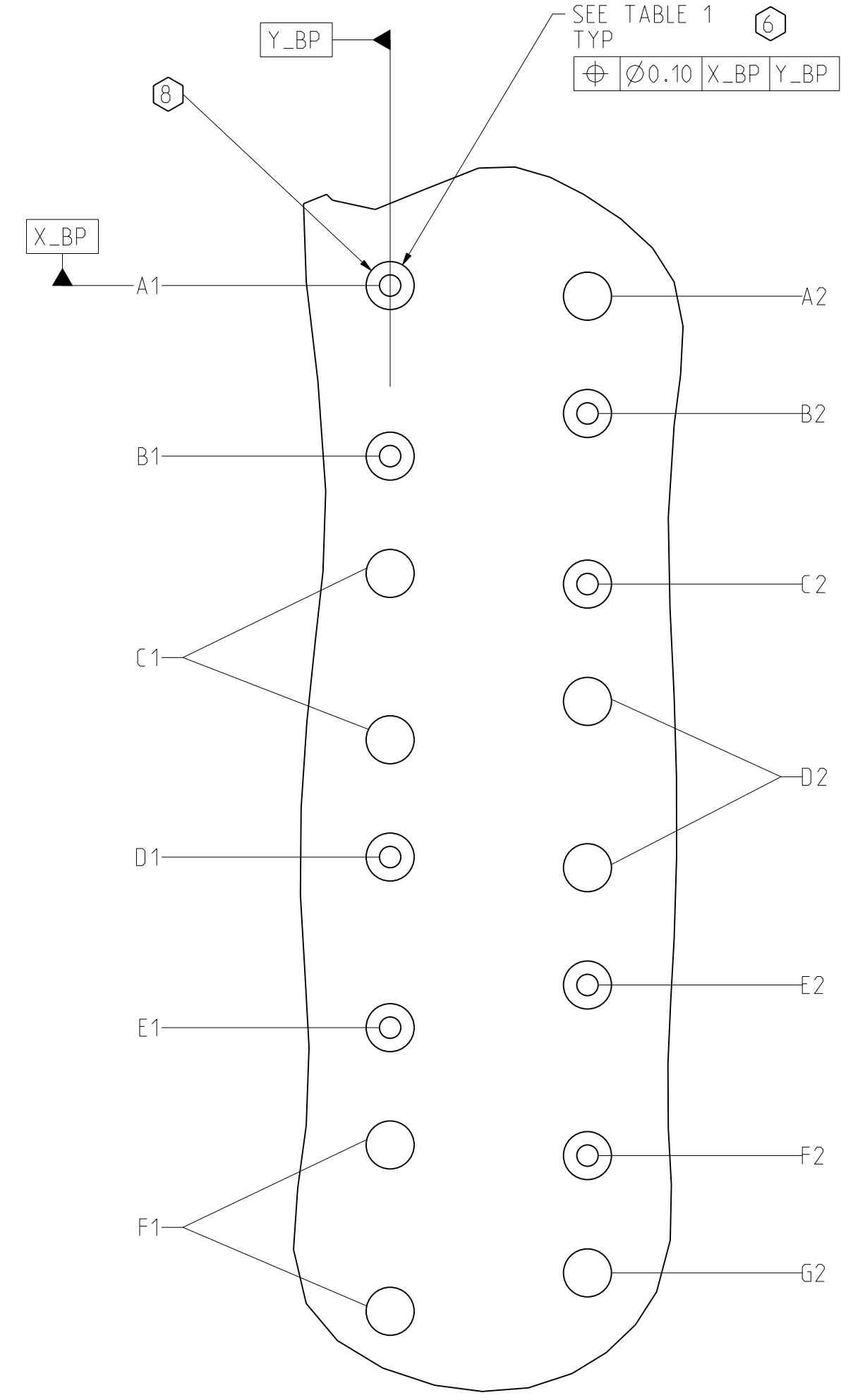
SH 7 REV A

ZONE	REV	SCR NUMBER	DESCRIPTION	BY	DATE	APPROVED
			SEE SHEET 1			

TABLE 1 <span style="border: 1px solid black; border-radius: 50%; padding: 2px;">6</span>		
	COMPLIANT PIN DRILL $\varnothing 0.0217''$	COMPLIANT PIN DRILL $\varnothing 0.0177''$
PTH	$\varnothing 0.45 \pm 0.05$	$\varnothing 0.36 \pm 0.05$
DRILL	$\varnothing 0.55 [0.0217'']$	$\varnothing 0.45 [0.0177'']$
PAD	$\varnothing 0.85$	$\varnothing 0.75$



DETAIL A  
HSD PINOUTS  
SCALE 20/1



DETAIL B  
LC PINOUTS  
SCALE 20/1

TOLERANCES		DESIGN 05/20/2009 A.ASTBURY	<b>Amphenol TCS</b> A Division of Amphenol Corporation 200 Innovative Way, Nashua, NH 03062 603.879.3000	TITLE BACKPLANE MODULES, VERTICAL MALE HEADER XCede, 2 PAIR & POSITION		
0.0	$\pm 0.25$	DRAWN 02/25/2010 HCL-MH		PART NO. SEE PN TREE SHEET 1	REV N/A	
0.00	$\pm 0.13$	CHK 02/25/2010 A.ASTBURY		DRAWING NO. C951-200J-500	REV A	
0.000	$\pm -$	APVD 02/25/2010 D.SMITH		Pro/E type: C951-200J-BP2-4 WAF Pro/E DRAWING: C951-200J-500	1.1 A.O	
ANGLES	$\pm 3^\circ$	UNLESS OTHERWISE SPECIFIED DIMENSIONS ARE IN MM. DECIMAL MARKER IS A PERIOD.		SHEET 8 OF 8		

INTERPRET PER ASME Y14.5M  
CODE IDENT 31413

CUSTOMER USE  
DRAWING

SCALE 6/1 SHEET 8 OF 8