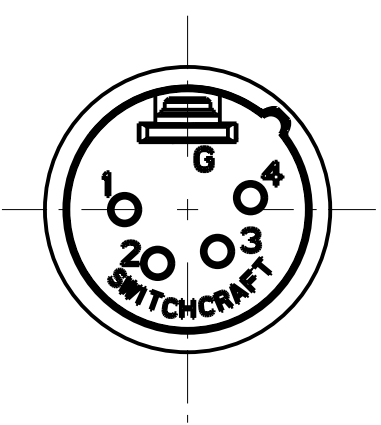
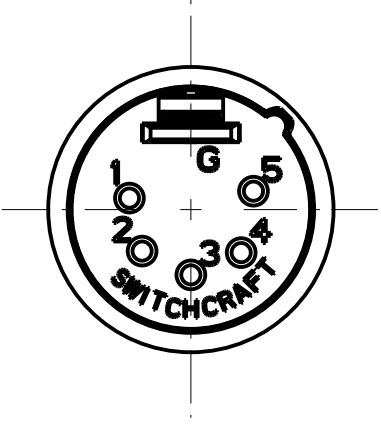


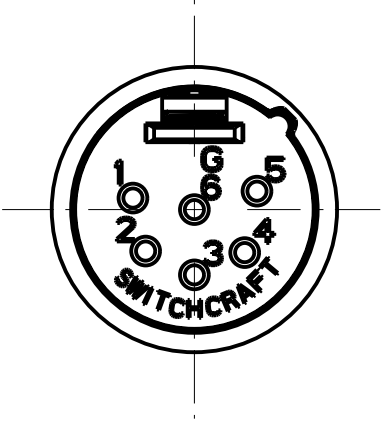
3 PIN



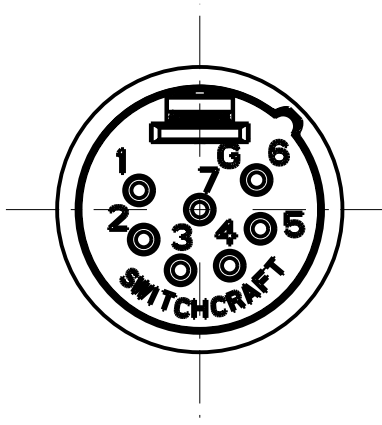
4 PIN



5 PIN



6 PIN



7 PIN

STANDARD SERIES

INSERT SCREW - STAINLESS STEEL
 FLEX SCREW - STEEL
 HOUSING - ZINC, NICKEL PLATED
 TUBULAR INSULATOR - MYLAR
 SOLDER TERMINAL - BRASS, ELECTRO TIN
 STRAIN RELIEF - HI-FAX
 CLAMP PLATE - STAINLESS STEEL
 INSULATOR - POLYESTER, GREEN (UL94V-0)
 PIN - BRASS, SILVER PLATED

A M
 COLOR
 01 = BROWN
 02 = RED
 03 = ORANGE
 04 = YELLOW
 05 = GREEN
 06 = BLUE
 07 = VIOLET
 08 = GRAY
 09 = WHITE

CONTACT PLATING
 BLANK = SILVER (STANDARD)
 AU = GOLD

HOUSING FINISH
 BLANK = NICKEL PLATE (STANDARD)
 B = BLACK

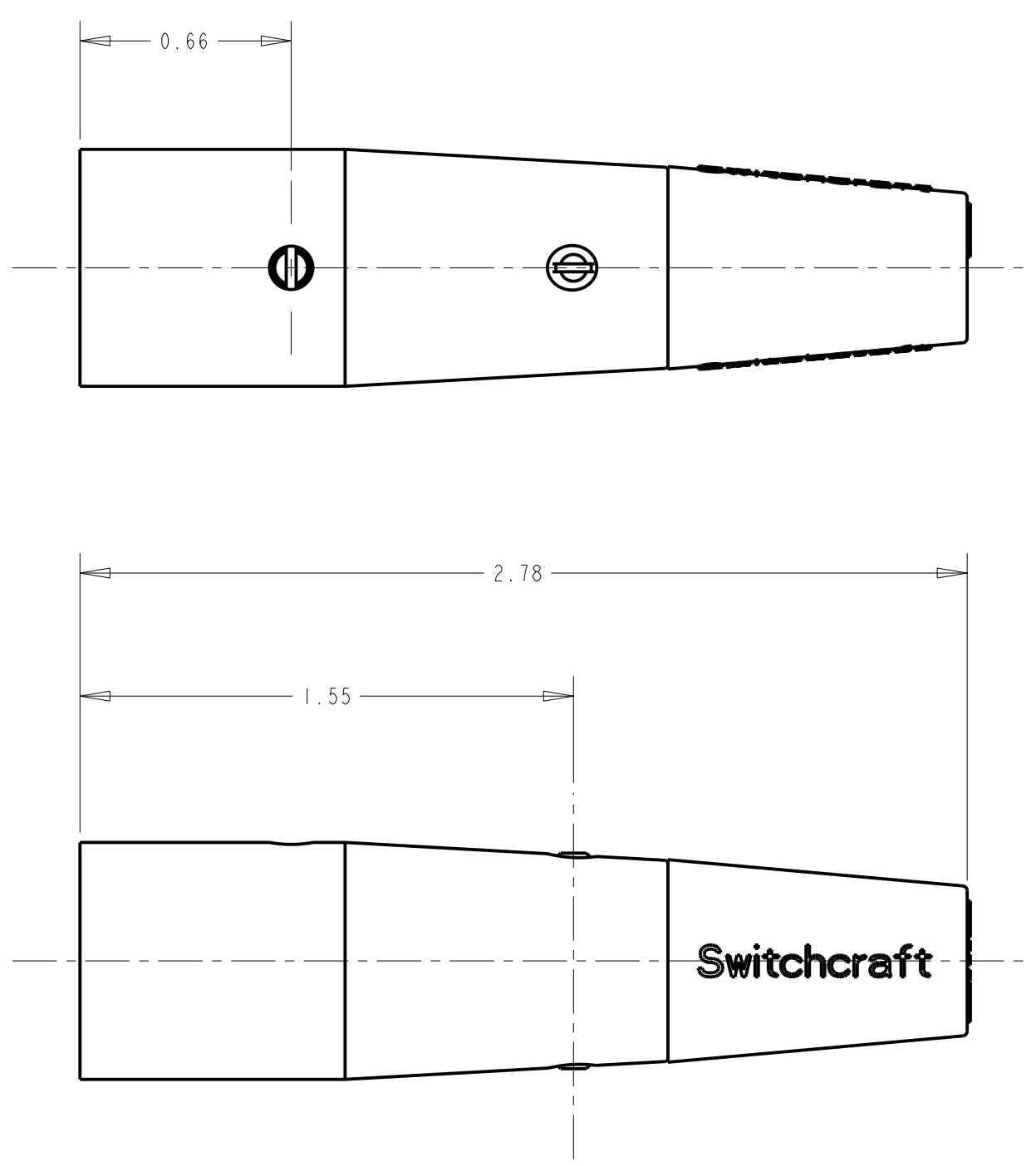
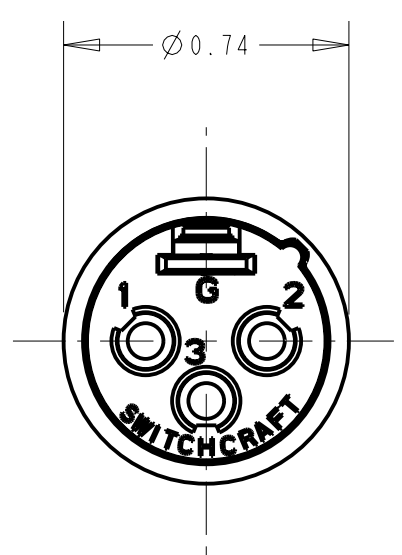
FLEX RELIEF SIZE
 BLANK = STANDARD SIZE (0.210 TO 0.300)
 L = LARGE CABLES (0.300 TO .0328)
 S = SMALL CABLES (0.105 TO 0.205)

NO. OF CONTACTS:
 3 = 3 CONTACTS
 4 = 4 CONTACTS
 5 = 5 CONTACTS
 6 = 6 CONTACTS
 7 = 7 CONTACTS

PROFESSIONAL SERIES

SAME AS ABOVE EXCEPT
 CONTACT PIN - PHOSPHOR BRONZE, GOLD OVER NICKEL

OGP 23
 NO. OF CONTACTS:
 3 = 3 CONTACTS
 4 = 4 CONTACTS
 5 = 5 CONTACTS
 6 = 6 CONTACTS
 7 = 7 CONTACTS



NOTE:
 1. ALL DIMENSIONS REF. UNLESS OTHERWISE SPECIFIED.

CUSTOMER DRAWING

					★ STAR SYMBOL DENOTES CRITICAL DIMENSION		THIS DRAWING DESCRIBES A DESIGN CONSIDERED PROPRIETARY IN NATURE, DEVELOPED AND MANUFACTURED BY SWITCHCRAFT INC. AND IS RELEASED ON A CONFIDENTIAL BASIS FOR IDENTIFICATION PURPOSES ONLY.				
					UNLESS OTHERWISE SPECIFIED		SIZE	WIDTH	MULT	LBS/M	TEMPER
					1. ALL DIMENSIONS IN INCHES - TWO PLACE DECIMALS ±0.01 - THREE PLACE DECIMALS ±0.005 - ANGLES ±1° - ALL DIA. CONCENTRIC WITHIN 0.005 T.I.R.		FINISH		MATERIAL SPEC No.		
					2. FEATURES ON THE SAME CENTERLINE MUST BE ALIGNED WITHIN ±0.002		FIRST USED ON		SCALE 2:1		
					3. REMOVE ALL BURRS		DATE DRAWN	BY	CHKD	APVD	Switchcraft
L	ECO #22530	12-21-98	MM	EB	6-18-94	SG	AA	7-22-94	GHJ	8-1-94	
REV	ECO NUMBER	DATE	BY	APVD	REVISIONS		NAME		PART No.		REV
					DO NOT SCALE DRAWING		A SERIES MALE OGP		A_M_SERIES		L