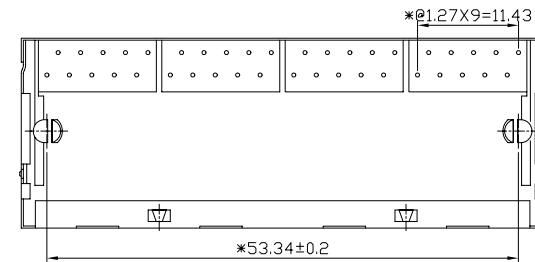
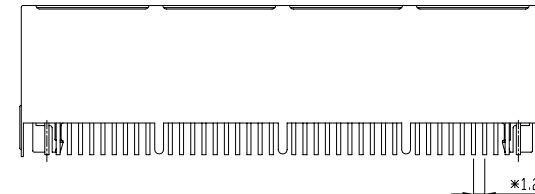
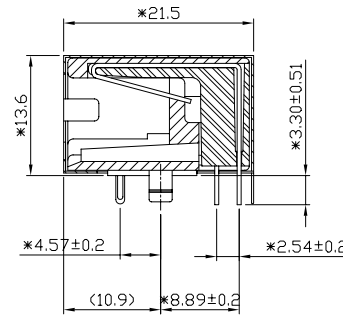
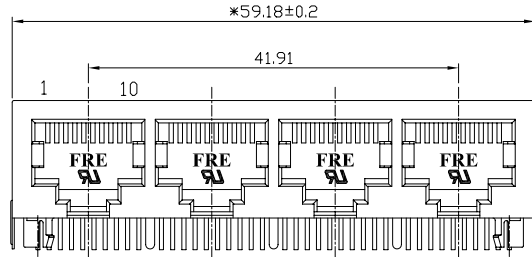


REVISION RECORD				
REV	ECD	DESCRIPTION	DRFT	CHKD
△		ADD PART NUMBER	YAN 06/23/05	
△		ADD PART NUMBER	Jasper 12/28/05	



NOTES:

ELECTRICAL:

- VOLTAGE RATING : 125 VAC RMS.
- CURRENT RATING : 1.5 AMP.
- CONTACT RESISTANCE : 50 MILLIOHMS MAX.
- INSULATION RESISTANCE: 1000 MEGOHMS MIN @ 500 VDC.
- DIELECTRIC STRENGTH 1000 VAC RMS 60HZ, 1MIN.

MECHANICAL:

- HOUSING MATERIAL : PBT+30%GF & FR50 UL94V-0.
- INSERT : PBT+30%GF & FR50 UL94V-0.
- CONTACT MATERIAL : PHOSPHOR BRONZE Ø0.46mm.
- PLATING : GOLD PLATING OVER NICKEL.
- OPERATING LIFE : 750 CYCLES MIN.
- PCB RETENTION PRE-SOLDER: 1 LB MIN.
- PCB RETENTION POST-SOLDER: 10 LBS MIN.

ENVIRONMENTAL:

- STORAGE : -40°C TO +85°C.
- OPERATION: -40°C TO +85°C.
- WAVE SOLDERING TEMPERATURE: 230~250°C (3~5 SECONDS)

MATES WITH MODULAR PLUG CONFORMING TO
FCC PART 68, SUBPART F.

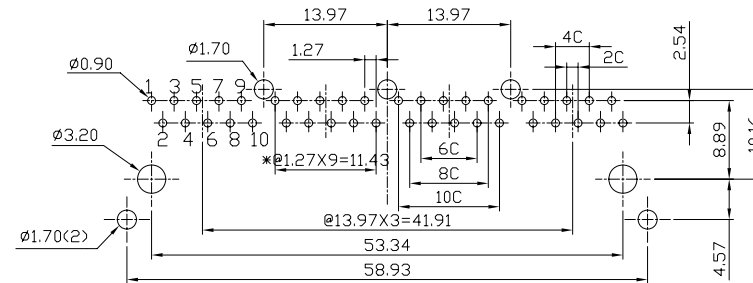
CUL FILE NO. E163191

PART NUMBER: E590X-15CX2X-L

- | | |
|----------------|--|
| NO. OF CONTACT | 1- 3u' 2- 6u' |
| 2- 2 CONTACT | 3-15u' 4-30u' |
| 4- 4 CONTACT | 5-50u' 6-Pd20u' |
| 6- 6 CONTACT | 1- FRONT PEG 4.57 |
| 8- 8 CONTACT | 2- FRONT PEG 4.57, WITH 1 GROUNDING TABS |
| 1-10 CONTACT | 3- FRONT PEG 4.57, WITH 3 GROUNDING TABS |

PART NUMBER: E590X-15CXXX-L

- | | |
|----------------|--|
| NO. OF CONTACT | 1- 3u' 2- 6u' |
| 2- 2 CONTACT | 3-15u' 4-30u' |
| 4- 4 CONTACT | 5-50u' 6-Pd20u' |
| 6- 6 CONTACT | 3L-FR50 BK, FRONT PEG 4.57, WITH 3 GROUNDING TABS |
| 8- 8 CONTACT | 32-PBT+30%GF BK, FRONT PEG 4.57, WITH 3 GROUNDING TABS |
| 1-10 CONTACT | |



PC Board Layout Component Side Shown

DETACHED LISTS	MM (INCH)	DFTD CXQ	DATE 05/13/05	FULL RISE ELECTRONIC CO., LTD	
	TOLERANCES EXCEPT AS NOTED	CHKD	DATE		
	MM	MFD	DATE	TITLE 20.57 PCB JACK 10P	
	.0 ± 0.20 ±	APPVL oscar	DATE 01/01/06		
.00 ± 0.15 ±	MATERIAL :		DRAWING NO. GE593008-LC		
.000 ± 0.075 ±	ANGLES ±		/PART NO. SEE NOTE		
	THIRD ANGLE PROJECTION		SCALE : 2:1	DO NOT SCALE DRAWING	SHEET OF Y