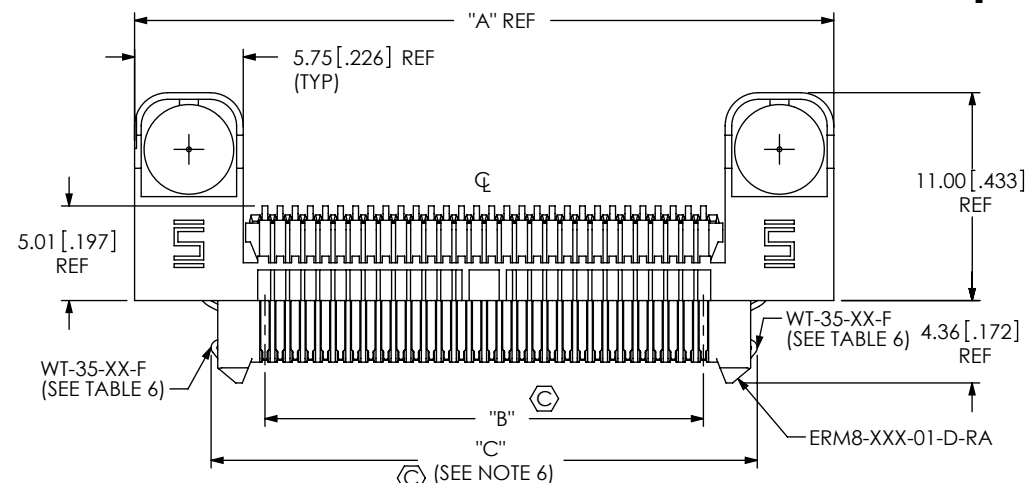


DO NOT SCALE FROM THIS PRINT



- No OF POSITIONS
-010, -011, -013, -020, -025
-030, -037, -040, -049, -050
-060, -070, -075
(PER ROW)
- LEAD STYLE
-01: 1.58 [0.062] BOARD
-03: 2.36 [0.093] BOARD
- PLATING SPECIFICATION
-S: SELECTIVE GOLD
(USE T-1MXX-01-S, T-1MXX-02-S)
(SEE TABLE 6)
-L: LIGHT SELECTIVE GOLD, MATTE TIN TAIL
(USE T-1MXX-01-L, T-1MXX-02-L)
(SEE TABLE 6)
- TAPE & REEL OPTION
-TR : TAPE & REEL
(STANDARD PACKAGING
(SEE NOTE 4))
- OPTION
-K: KAPTON PAD
(USE K-500-300)
-L: ESD LATCHES (SEE TABLE 4
FOR AVAILABILITY)
-DS: DIFFERENTIAL PAIR (HOT
SWAP)(SEE FIG. 2 SHT 5)
(SEE TABLE 4 FOR
AVAILABILITY)
- RA: RIGHT ANGLE
- ROW SPECIFICATION
-D: DOUBLE (USE ERM8-XXX-01-D-RA)

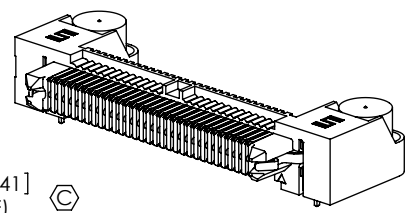
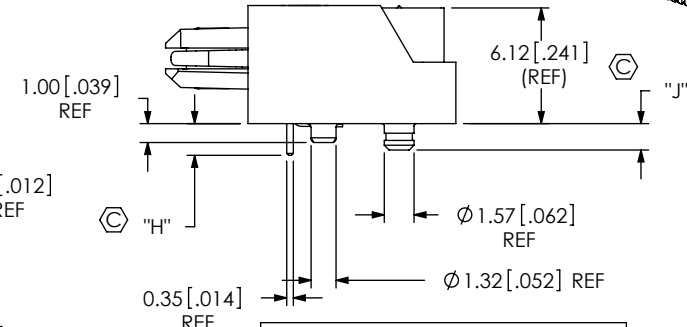
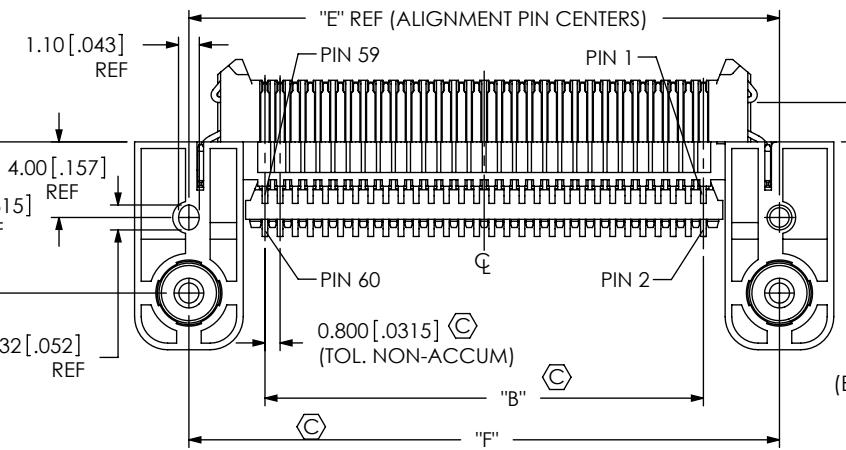
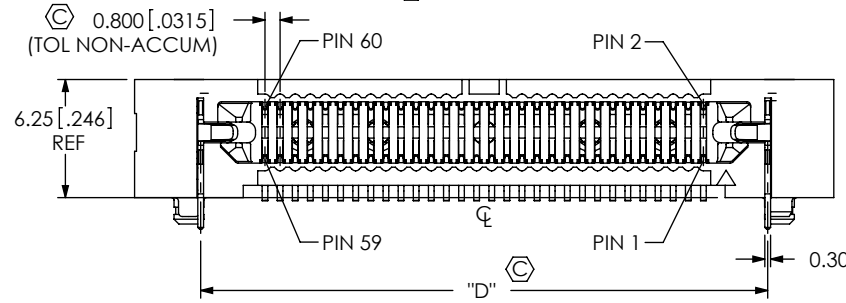


TABLE 4

POSITION	-DS & -L OPTION AVAILABILITY
-010	-L
-011	-L
-013	-DS, -L
-020	-L
-025	-DS, -L
-030	-L
-037	-DS, -L
-040	-L
-049	-DS, -L
-050	-L
-060	-L
-070	-L
-075	-L

TABLE 5

LEAD STYLE	"H"	"J"
-01	1.68 [0.066]	1.40 0.055
-03	2.46 [0.097]	2.19 0.086

- NOTES:
- ⊕ REPRESENTS A CRITICAL DIMENSION.
 - BURR ALLOWANCE: .02[0.001] MAX.
 - MINIMUM PUSHOUT /PULLOUT FORCE: SIGNAL: 2.22 N [.5 LB], LATCH AND COUNTERWEIGHT: 4.45 N [1 LB].
 - FOR QUANTITIES UP TO 49 PIECES, NO LEADER, TRAILER, OR EIA-481-D REEL TO BE SUPPLIED. FOR QUANTITIES FROM 50-124 PIECES, NO LEADER OR TRAILER WILL BE SUPPLIED.
 - MEASURE AT BENDS.
 - APPLIES TO -L OPTION ONLY.
 - MAXIMUM CUT BURR ON CUT TAILS IS 0.10[.004].

FIG.1 (ERM8-030-01-S-D-RA-L)

POSITION	"A"	"B"	"C"	"D"	"E"	"F"
-010	21.00 [827]	7.200 [2835]	12.90 [508]	14.00 [551]	15.25 [600]	15.25 [600]
-011	21.80 [858]	8.000 [3149]	13.70 [5394]	14.80 [5283]	16.05 [632]	16.05 [632]
-013	23.40 [921]	9.600 [3780]	15.30 [602]	16.40 [646]	17.65 [695]	17.65 [695]
-020	29.00 [1142]	15.200 [5984]	20.90 [823]	22.00 [866]	23.25 [915]	23.25 [915]
-025	33.00 [1299]	19.200 [7559]	24.90 [980]	26.00 [1024]	27.25 [1073]	27.25 [1073]
-030	37.00 [1457]	23.200 [9134]	28.90 [1138]	30.00 [1181]	31.25 [1230]	31.25 [1230]
-037	42.60 [1677]	28.800 [11339]	34.50 [1358]	35.60 [1402]	36.58 [1451]	36.85 [1451]
-040	45.00 [1772]	31.200 [12283]	36.90 [1453]	38.00 [1496]	39.25 [1545]	39.25 [1545]
-49	52.20 [2055]	38.400 [15118]	44.10 [1736]	45.20 [1780]	46.45 [1829]	46.45 [1829]
-050	53.00 [2087]	39.200 [15433]	44.90 [1768]	46.00 [1811]	47.25 [1860]	47.25 [1860]
-060	61.00 [2402]	47.200 [18583]	52.90 [2083]	54.00 [2126]	55.25 [2175]	55.25 [2175]
-70	69.00 [2717]	55.200 [21732]	60.90 [2398]	62.00 [2441]	63.25 [2490]	63.25 [2490]
-75	73.00 [2874]	59.200 [23307]	64.90 [2555]	66.00 [2598]	67.25 [2648]	67.25 [2648]

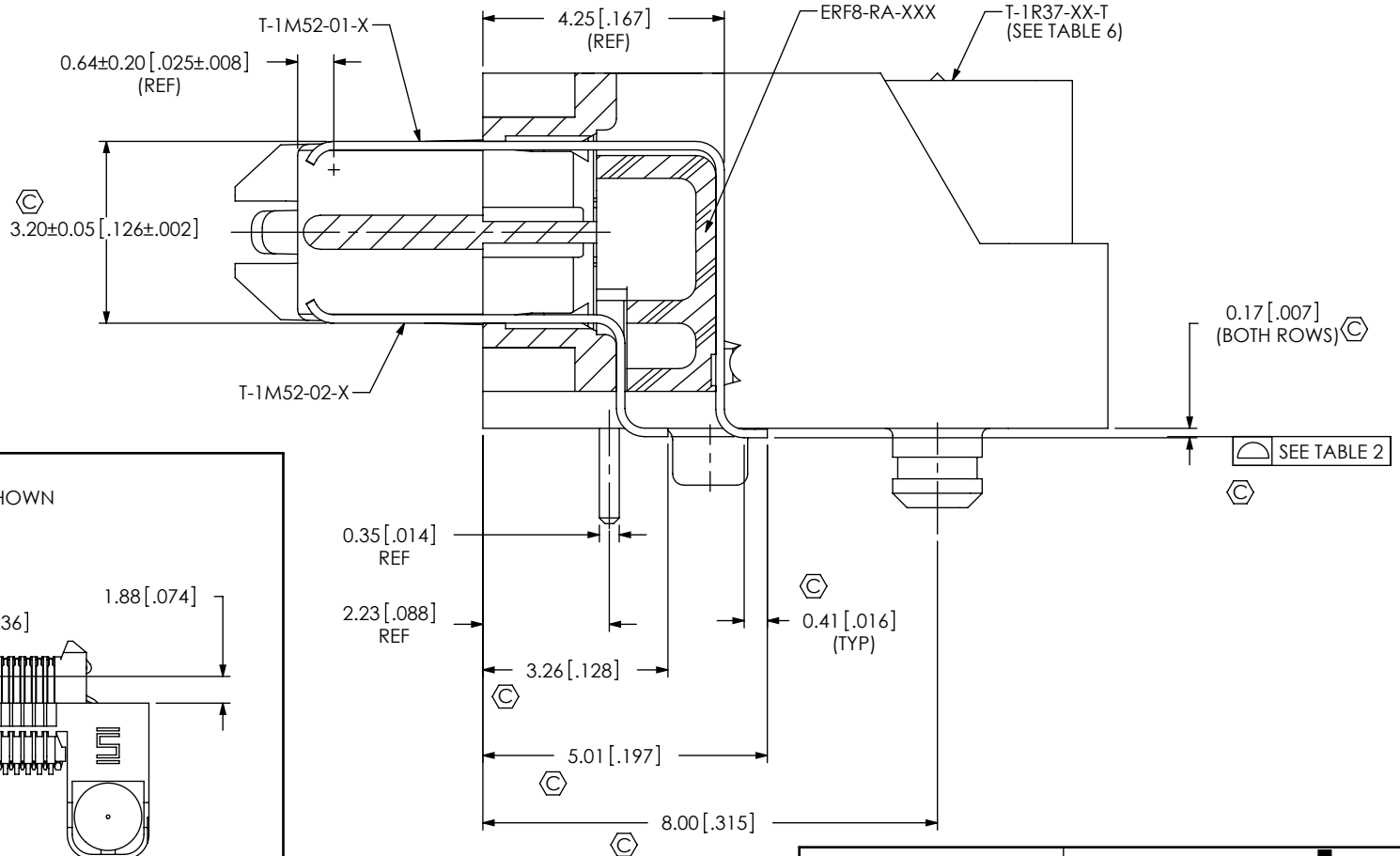
UNLESS OTHERWISE SPECIFIED, DIMENSIONS ARE IN MILLIMETERS [INCHES]. TOLERANCES ARE: DECIMALS ANGLES X.X: ±0.3 [0.1] X.XX: ±0.13 [0.05] X.XXX: ±0.051 [0.020]	PROPRIETARY NOTE THIS DOCUMENT CONTAINS INFORMATION CONFIDENTIAL AND PROPRIETARY TO SAMTEC, INC. AND SHALL NOT BE REPRODUCED OR TRANSFERRED TO OTHER DOCUMENTS OR DISCLOSED TO OTHERS OR USED FOR ANY PURPOSE OTHER THAN THAT WHICH IT WAS OBTAINED WITHOUT THE EXPRESSED WRITTEN CONSENT OF SAMTEC, INC.	 520 PARK EAST BLVD, NEW ALBANY, IN 47150 PHONE: 812-944-6733 FAX: 812-948-5047 e-Mail: info@SAMTEC.com code: 53322
MATERIAL: DO NOT SCALE DRAWING INSULATOR: LCP, COLOR BLACK CONTACTS: PHOS BRONZE COUNTERWEIGHT: BRASS LATCHES: BeCu	SHEET SCALE: 2:1	
DESCRIPTION: .80mm DUAL ROW RIGHT ANGLE SOCKET ASSEMBLY DWG. NO. ERM8-XXX-XX-X-D-RA-XX-TR BY: C. PIERCE 8/17/2007 SHEET 1 OF 5		

TABLE 2

No OF POSITIONS	COPLANARITY
-010 THRU -050	0.10[.004]
-060 THRU -075	0.15[.006]

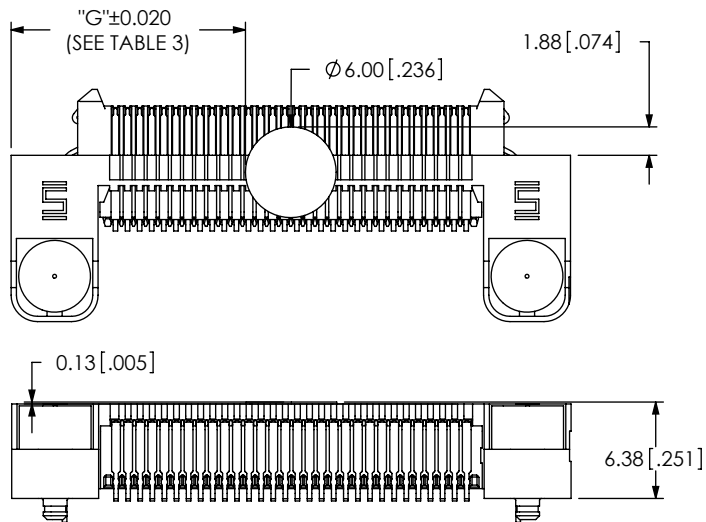
TABLE 3

POS	"G"
-010	7.50
-011	7.90
-013	8.70
-020	11.50
-025	13.50
-030	15.50
-037	18.30
-040	19.50
-049	23.10
-050	23.50
-060	27.50
-070	31.50
-075	33.50



-K: KAPTON PAD

ERM8-030-01-X-D-RA-L-K SHOWN
(USE K-500-300)



PROPRIETARY NOTE

THIS DOCUMENT CONTAINS INFORMATION CONFIDENTIAL AND PROPRIETARY TO SAMTEC, INC. AND SHALL NOT BE REPRODUCED OR TRANSFERRED TO OTHER DOCUMENTS OR DISCLOSED TO OTHERS OR USED FOR ANY PURPOSE OTHER THAN THAT WHICH IT WAS OBTAINED WITHOUT THE EXPRESSED WRITTEN CONSENT OF SAMTEC, INC.

DO NOT SCALE DRAWING

SHEET SCALE: 8:1



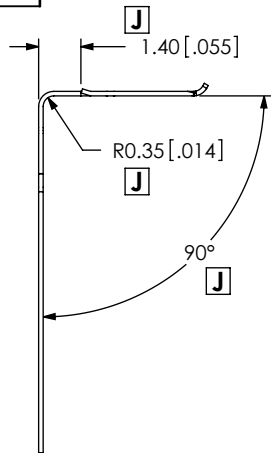
520 PARK EAST BLVD, NEW ALBANY, IN 47150
PHONE: 812-944-6733 FAX: 812-948-5047
e-Mail: info@SAMTEC.com code: 55322

DESCRIPTION:
.80mm DUAL ROW RIGHT ANGLE SOCKET ASSEMBLY

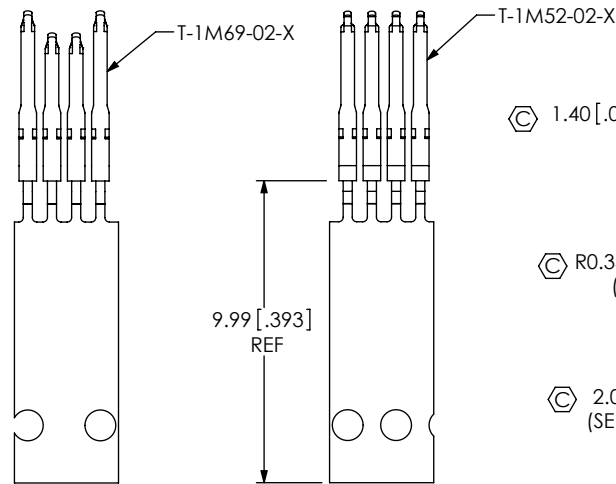
DWG. NO.
ERM8-XXX-XX-X-D-RA-XX-TR

BY: C. PIERCE 8/17/2007 SHEET 2 OF 5

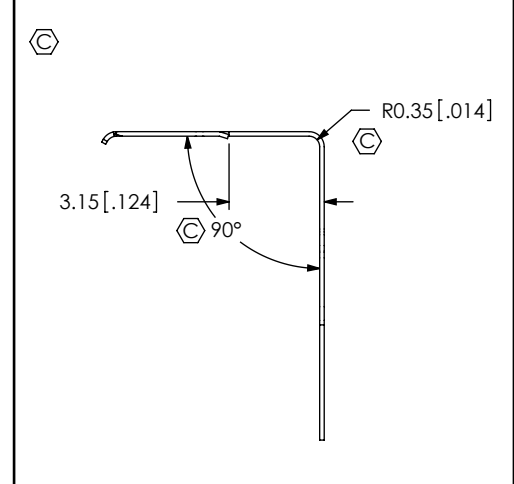
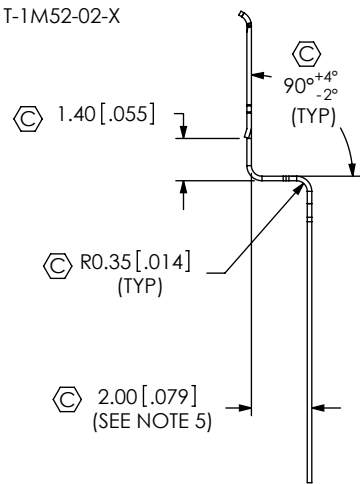
REVISION J



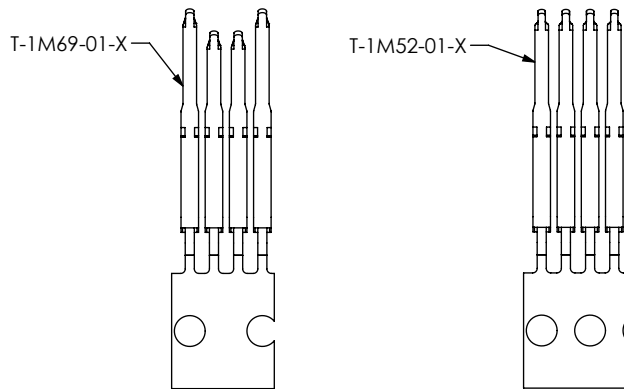
IN-PROCESS 1
(PRE-FORM TERMINAL T-1M52-02-X & T-1M69-02-X)



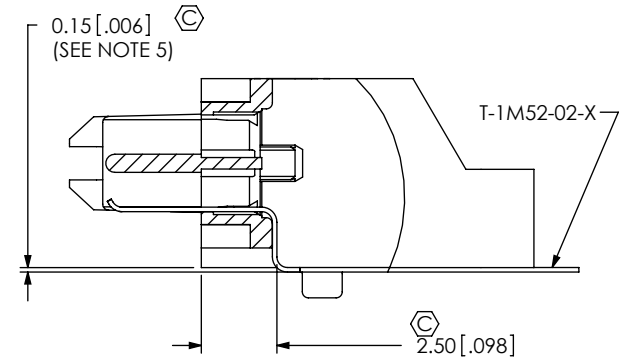
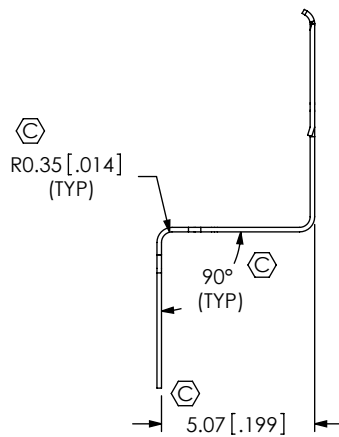
IN-PROCESS 2
(FORM TERMINAL T-1M52-02-X & T-1M69-02-X)



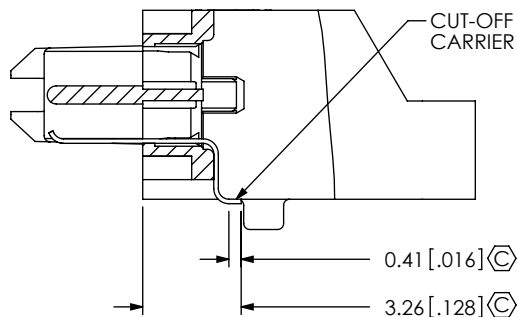
IN-PROCESS 3
(PRE-FORM TERMINAL T-1M52-01-X & T-1M69-01-X)



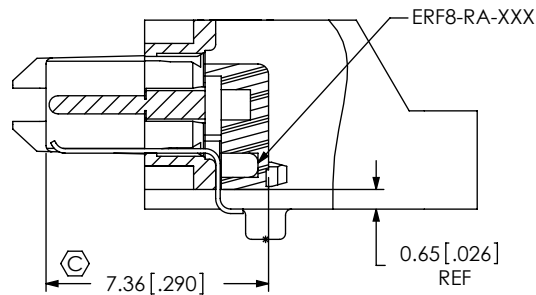
IN-PROCESS 4
(FORM TERMINAL T-1M52-01-X & T-1M69-01-X)



IN PROCESS 5
(FILL BOTTOM ROW)
(SEE SHEET 2 FOR MEASUREMENT DETAIL)



IN PROCESS 6
(CUT-OFF CARRIER)
(SEE SHEET 2 FOR MEASUREMENT DETAIL)



IN PROCESS 7
(FILL ERF8-RA-XXX)

F:\DWG\MISC\MKTG\ERM8-XXX-XX-X-D-RA-XX-TR-MKT.SLDDRW

PROPRIETARY NOTE

THIS DOCUMENT CONTAINS INFORMATION CONFIDENTIAL AND PROPRIETARY TO SAMTEC, INC. AND SHALL NOT BE REPRODUCED OR TRANSFERRED TO OTHER DOCUMENTS OR DISCLOSED TO OTHERS OR USED FOR ANY PURPOSE OTHER THAN THAT WHICH IT WAS OBTAINED WITHOUT THE EXPRESSED WRITTEN CONSENT OF SAMTEC, INC.

DO NOT SCALE DRAWING

SHEET SCALE: 4:1

samtec

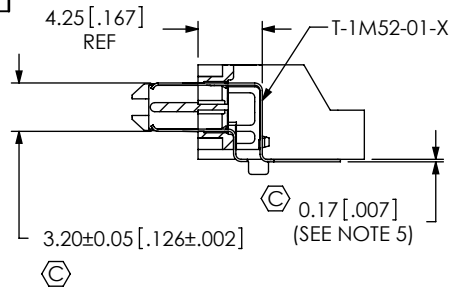
520 PARK EAST BLVD, NEW ALBANY, IN 47150
PHONE: 812-944-6733 FAX: 812-948-5047
e-Mail: info@SAMTEC.com code: 55322

DESCRIPTION:
.80mm DUAL ROW RIGHT ANGLE SOCKET ASSEMBLY

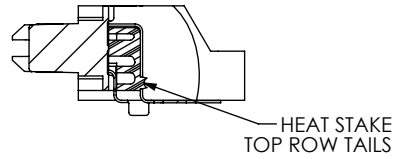
DWG. NO.
ERM8-XXX-XX-X-D-RA-XX-TR

BY: C. PIERCE 8/17/2007 SHEET 3 OF 5

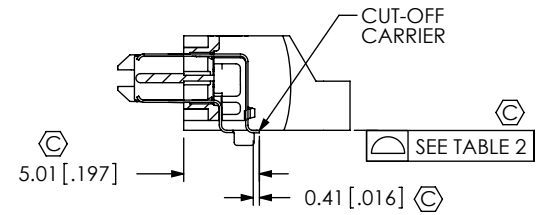
REVISION J



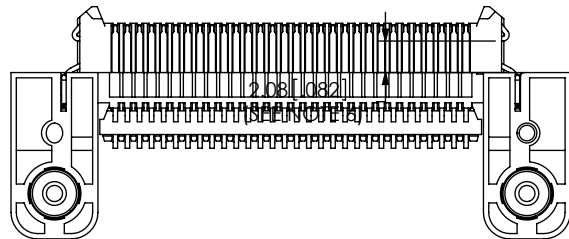
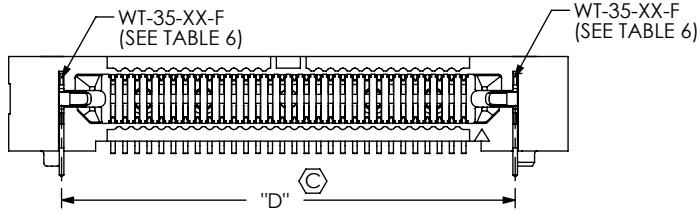
IN PROCESS 8
(FILL TOP ROW)
(SEE SHEET 2 FOR MEASUREMENT DETAIL)



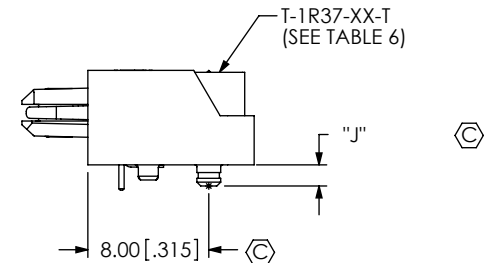
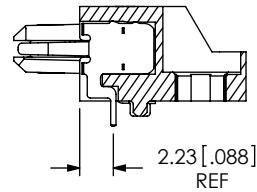
IN PROCESS 9
(HEAT STAKE TOP ROW OF CONTACTS)
(SEE SHEET 2 FOR MEASUREMENT DETAIL)



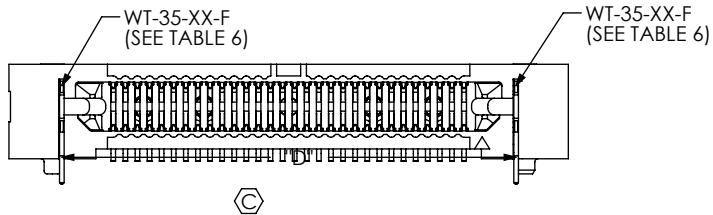
IN PROCESS 10
(CUT-OFF OF CARRIER)
(SEE SHEET 2 FOR MEASUREMENT DETAIL)



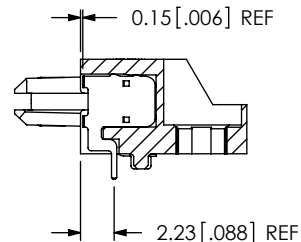
IN PROCESS 11
(FILL WT-35-XX-F)
(VERSION WITH -L OPTION)
(ERM8-030-01-S-D-RA-L SHOWN)



IN PROCESS 12
(FILL T-1R37-XX-T)
(SEE TABLE 6)



IN PROCESS 11
(FILL WT-35-XX-F)
(VERSION W/O -L OPTION)
(ERM8-030-01-S-D-RA SHOWN)



PROPRIETARY NOTE
THIS DOCUMENT CONTAINS INFORMATION
CONFIDENTIAL AND PROPRIETARY TO
SAMTEC, INC. AND SHALL NOT BE REPRODUCED
OR TRANSFERRED TO OTHER DOCUMENTS OR
DISCLOSED TO OTHERS OR USED FOR ANY
PURPOSE OTHER THAN THAT WHICH IT WAS
OBTAINED WITHOUT THE EXPRESSED WRITTEN
CONSENT OF SAMTEC, INC.

DO NOT SCALE DRAWING

SHEET SCALE: 2:1



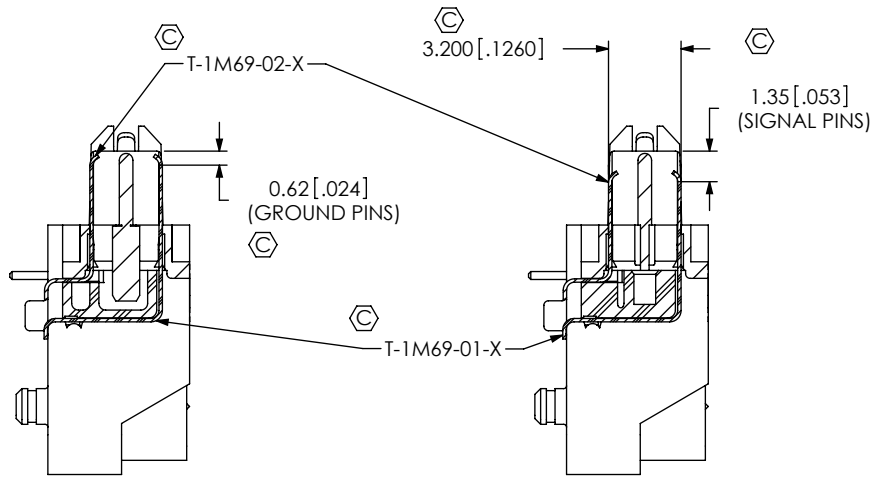
520 PARK EAST BLVD, NEW ALBANY, IN 47150
PHONE: 812-944-6733 FAX: 812-948-5047
e-Mail: info@SAMTEC.com code: 55322

DESCRIPTION:
.80mm DUAL ROW RIGHT ANGLE SOCKET ASSEMBLY

DWG. NO.
ERM8-XXX-XX-X-D-RA-XX-TR

BY: C. PIERCE 8/17/2007 SHEET 4 OF 5

OPTION	STYLE	BODY CALLOUT	SPACER BODY	TERMINALS	COUNTERWEIGHT	WELD TABS
NONE	-01	ERM8-XXX-01-D-RA	ERF8-RA-XX	T-1M52-01-X T-1M52-02-X	T-1R37-01-X	WT-35-03-X
	-03	ERM8-XXX-01-D-RA	ERF8-RA-XX	T-1M52-01-X T-1M52-02-X	T-1R37-02-X	WT-35-06-X
-L	-01	ERM8-XXX-01-D-RA	ERF8-RA-XX	T-1M52-01-X T-1M52-02-X	T-1R37-01-X	WT-35-01-X WT-35-02-X
	-03	ERM8-XXX-01-D-RA	ERF8-RA-XX	T-1M52-01-X T-1M52-02-X	T-1R37-02-X	WT-35-04-X WT-35-05-X
-DS	-01	ERM8-XXX-01-D-RA	ERF8-RA-XX	T-1M69-01-X T-1M69-02-X	T-1R37-01-X	WT-35-03-X
	-03	ERM8-XXX-01-D-RA	ERF8-RA-XX	T-1M69-01-X T-1M69-02-X	T-1R37-02-X	WT-35-06-X
-DS & -L	-01	ERM8-XXX-01-D-RA	ERF8-RA-XX	T-1M69-01-X T-1M69-02-X	T-1R37-01-X	WT-35-01-X WT-35-02-X
	-03	ERM8-XXX-01-D-RA	ERF8-RA-XX	T-1M69-01-X T-1M69-02-X	T-1R37-02-X	WT-35-04-X WT-35-05-X



SECTION "A"- "A"
SCALE 3 : 1

SECTION "B"- "B"
SCALE 3 : 1

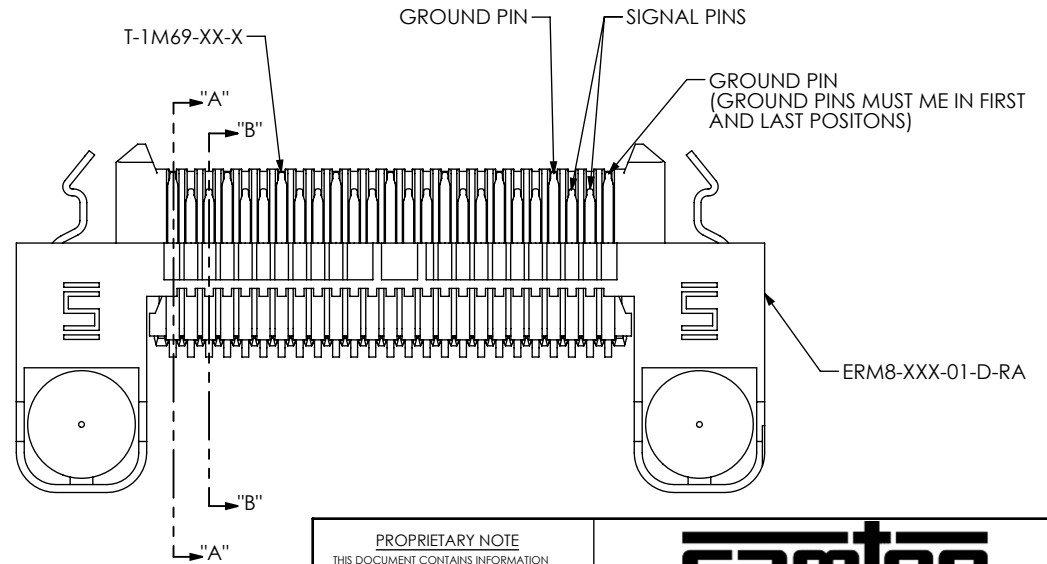


FIG. 2
ERM8-025-01-X-D-RA-DS-L SHOWN
(DIFFERENT AS SHOWN, OTHERWISE SAME AS FIG. 1)

PROPRIETARY NOTE
THIS DOCUMENT CONTAINS INFORMATION CONFIDENTIAL AND PROPRIETARY TO SAMTEC, INC. AND SHALL NOT BE REPRODUCED OR TRANSFERRED TO OTHER DOCUMENTS OR DISCLOSED TO OTHERS OR USED FOR ANY PURPOSE OTHER THAN THAT WHICH IT WAS OBTAINED WITHOUT THE EXPRESSED WRITTEN CONSENT OF SAMTEC, INC.

DO NOT SCALE DRAWING

SHEET SCALE: 2:1



520 PARK EAST BLVD, NEW ALBANY, IN 47150
PHONE: 812-944-6733 FAX: 812-948-5047
e-Mail: info@SAMTEC.com code: 55322

DESCRIPTION:
.80mm DUAL ROW RIGHT ANGLE SOCKET ASSEMBLY

DWG. NO.
ERM8-XXX-XX-X-D-RA-XX-TR

BY: C. PIERCE 8/17/2007 SHEET 5 OF 5