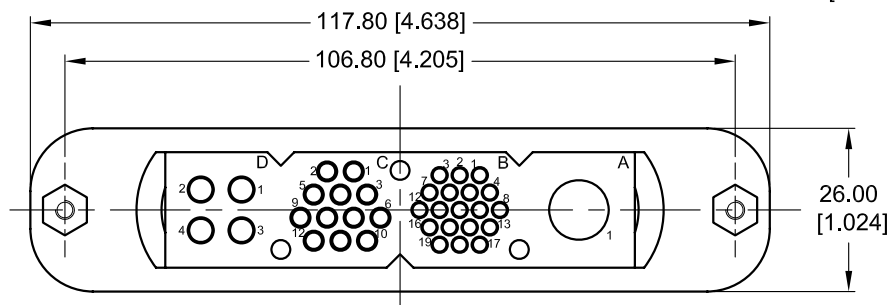
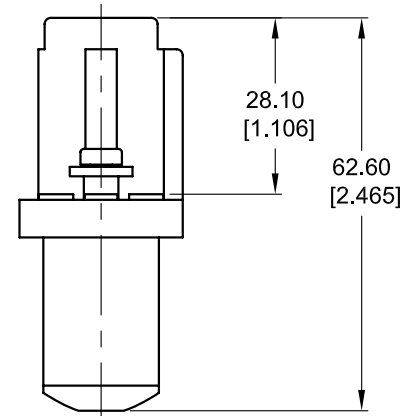
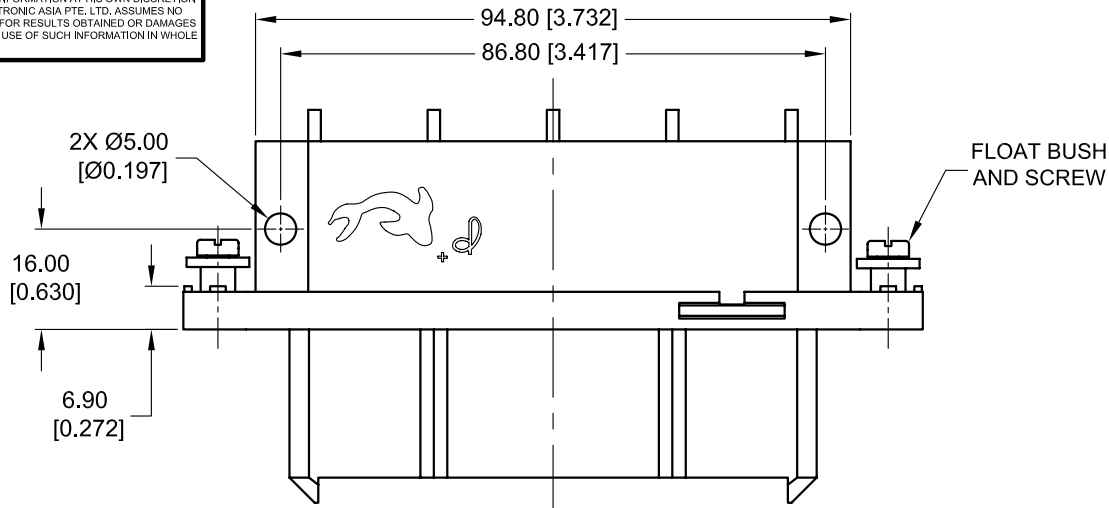
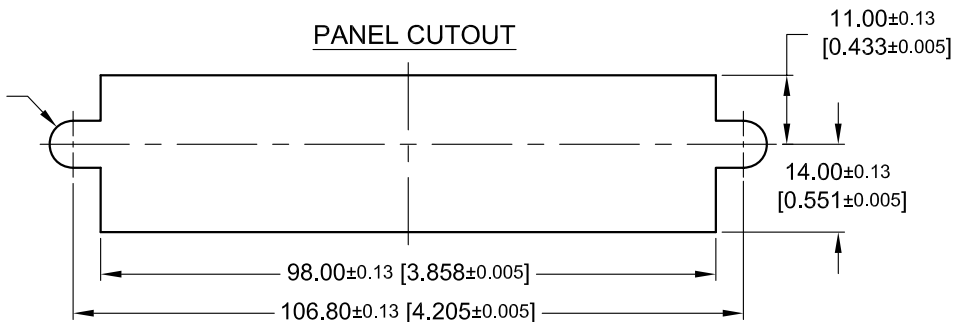


POSITRONIC ASIA PTE. LTD. BELIEVES THE DATA ON THE DRAWING TO BE RELIABLE. SINCE THE TECHNICAL INFORMATION IS GIVEN FREE OF CHARGE, THE USER EMPLOYS SUCH INFORMATION AT HIS OWN DISCRETION AND RISK. POSITRONIC ASIA PTE. LTD. ASSUMES NO RESPONSIBILITY FOR RESULTS OBTAINED OR DAMAGES INCURRED FROM USE OF SUCH INFORMATION IN WHOLE OR IN PART.

DATE	REV	REVISION RECORD	DRN	CKD	APP
17 JAN 08	NC	PA ECO 07271	MB	HM	KS
18 JUL 08	A	PA ECO 08145	KA	EH	NK



2XR3.75±0.08 [R0.148±0.003]



DRAWING NO.	PART NUMBER	REMARKS
ASK21394-1	GG8567F183	-
ASK21394-2	GG8567F183/AA	RoHS COMPLIANT PER RoHS DIRECTIVE 2002/95/EC OF 27 JAN 2003.

NOTES:

1. MATERIALS AND FINISHES:

INSULATOR: GLASS FILLED NYLON 6-6, UL 94V-0. COLOR: ORANGE.

FLOAT BUSH, HEX INSERT AND SCREW: BRASS, ZINC PLATE.

2. CONTACTS ORDERED SEPARATELY.

3. DIMENSIONS ARE IN MILLIMETERS [INCHES].



POSITRONIC ASIA PTE. LTD.

3014A UBI ROAD 1, #07-01. SINGAPORE 408703.

Tel: (65) 6842-1419 / Fax: (65) 6842-1421 / Email: singapore@connectpositronic.com

GENERAL TOL.	SERIES	SCALE	DRAWN	CHECKED	APPROVED
ANGULAR : ±5°	GG	NTS	MB	HM	KS
UNLESS OTHERWISE SPECIFIED, ALL DIMENSIONS ARE IN MILLIMETERS [INCHES]	GG8567F183 GG8567F183/AA		17 JAN 08	ASK21394-*	SHEET 1 OF 1