



MICROMINIATURE – COTS MICRO-D CONNECTORS

HDMVC – VERTICAL CONDENSED PC BOARD TERMINATION

HIRELCO PART NUMBER CODE

HDM VC * - * * * *

HIRELCO CONNECTOR SERIES

HDM - MICRO D-SUBMINIATURE
(DESIGNS BASED ON M83513)

CONNECTOR TYPE & TERMINATION

VC - METAL SHELL, VERTICAL, CONDENSED PCB MOUNT

CONNECTOR GENDER

P - PLUG, PIN CONTACTS
S - RECEPTACLE, SOCKET CONTACTS

CONNECTOR SIZE

(NUMBER OF CONTACTS) <1>

A=9, B=15, C=21, D=25, E=31, F=37, G=51, & H=100

LEAD LENGTH

(24 AWG HOT SOLDER DIPPED)

- 1 - .109 ±.015
- 2 - .140 ±.015
- 3 - .172 ±.015
- 4 - .190 ±.015
- 5 - .250 ±.015

POTTING CUP STYLE

(INCLUDES OR EXCLUDES PCB MOUNTING HARDWARE)

- 1 - NARROW POTTING CUP (NO PCB MOUNTING HARDWARE AVAILABLE)
- 2 - STANDARD POTTING CUP W/THROUGH HOLES FOR #2-56 HARDWARE

FLANGE HARDWARE

SIZES 9-51 USES #2-56, 100 USES #4-40

COMMERCIAL OPTIONS:

- A - .125 DIA. MTG. HOLES, FOR SIZE 9-51 <4>
.166 DIA MTG HOLES FOR SIZE 100 <4>
- B - .092 DIA. MTG. HOLES FOR SIZE 9-51
.150/.145 DIA. MTG. HOLE FOR SIZE 100 & 136
- J - JACKPOST & SELF-LOCKING THREADED INSERT <2>
(OR INTEGRAL #4-40 NUT FOR SIZE 100 & 136)
- K - CAPTIVE, HIGH PROFILE SLOTTED JACKSCREW <4>
- L - CAPTIVE, LOW PROFILE .050 HEX JACKSCREW <4>
- P - JACKPOST KIT W/WASHER & NUT FOR POTTING CUP
STYLE 2 ONLY
- T - THREADED INSERT, STANDARD <2>
- X - THREADED INSERT, SELF-LOCKING <2>, <3>

MILITARY OPTIONS, NARROW ONLY (FROM M83513/05-XX):

- 2 - LOW PROFILE .050 HEX JACKSCREW <4>
- 3 - HIGH PROFILE .050 HEX JACKSCREW <4>
- 5 - LOW PROFILE SLOTTED JACKSCREW <4>
- 6 - HIGH PROFILE SLOTTED JACKSCREW <4>
- 7 - JACKPOST KIT W/WASHER & NUT <4>

SHELL FINISH (& MATERIAL)

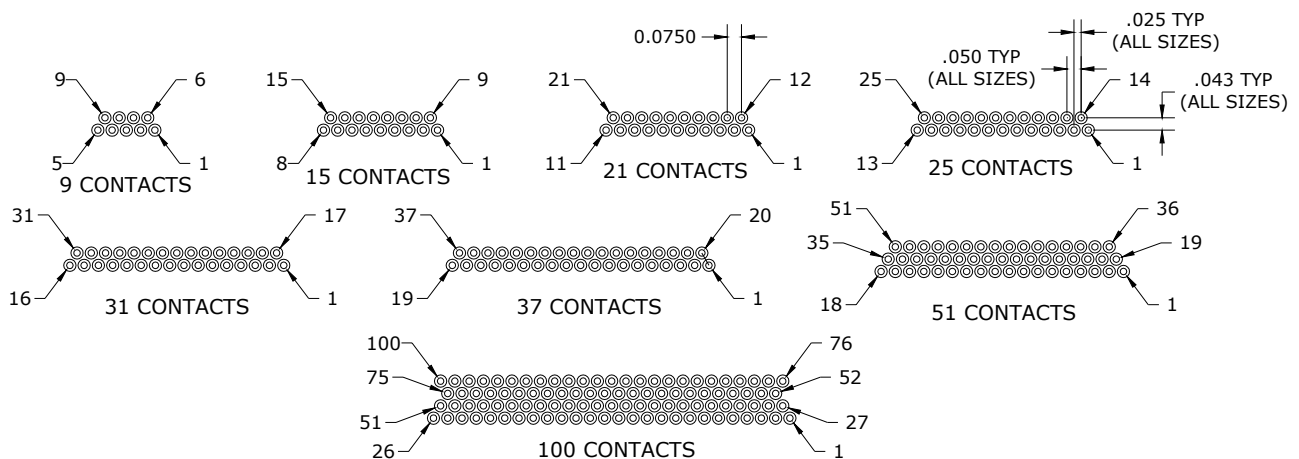
- A - ANODIZE (ALUMINUM)
- C - CADMIUM (ALUMINUM)
- G - GOLD (ALUMINUM)
- N - ELECTROLESS NICKEL (ALUMINUM)
- S - PASSIVATION (STAINLESS STEEL)
- T - TIN (ALUMINUM)

<1> - ADDITIONAL SIZES MAY BE AVAILABLE. CONTACT FACTORY FOR CURRENT AVAILABILITY

<2> - CURRENTLY ONLY AVAILABLE IN SIZES 9-51 (USES #2-56)

<3> - HI-REL RECOMMENDS USE OF ANTI-SEIZE COMPOUND TO MAXIMIZE LIFE CYCLE

<4> - OPTION ONLY AVAILABLE WITH NARROW POTTING CUP STYLE



CONTACT ARRANGEMENTS

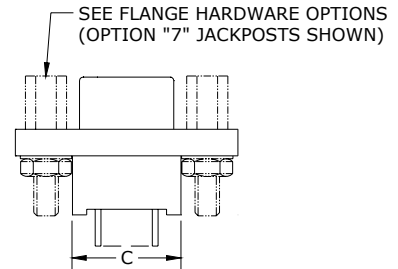
(FACE VIEW OF PIN INSERT SHOWN, REVERSE ORDER FOR SOCKET SIDE)

SEE THE FIRST PAGE OF THIS SECTION FOR PERFORMANCE, MATERIAL, AND PLATING INFORMATION

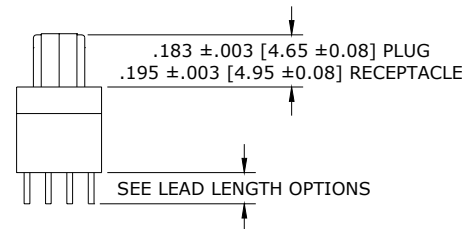
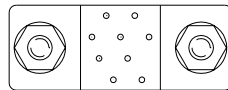
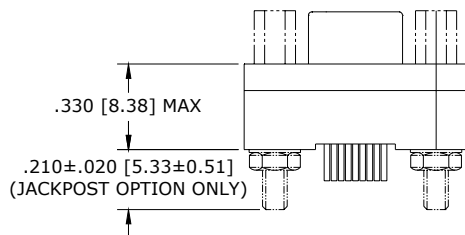
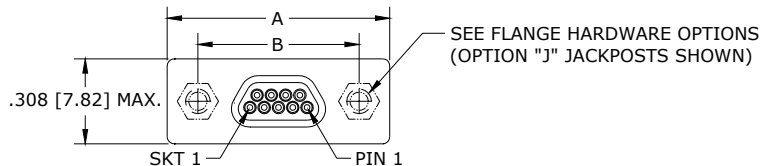
MICROMINIATURE – COTS MICRO-D CONNECTORS

HDMVC – VERTICAL CONDENSED PC BOARD TERMINATION

SIZE	A MAX.	B NOM.	C MAX.
9	0.785 [19.94]	0.565 [14.35]	0.400 [10.16]
15	0.935 [23.75]	0.715 [18.16]	0.550 [13.97]
21	1.085 [27.56]	0.865 [21.97]	0.700 [17.78]
25	1.185 [30.10]	0.965 [24.51]	0.800 [20.32]
31	1.335 [33.91]	1.115 [28.32]	0.950 [24.13]
37	1.485 [37.72]	1.265 [32.13]	1.100 [27.94]
51	1.435 [36.45]	1.215 [30.86]	1.050 [26.67]
100	2.170 [55.12]	1.800 [45.72]	1.442 [36.63]



NARROW POTTING CUP
APPLIES TO ALL SIZES
(SIZE 9 PLUG (PIN CONTACTS) SHOWN)



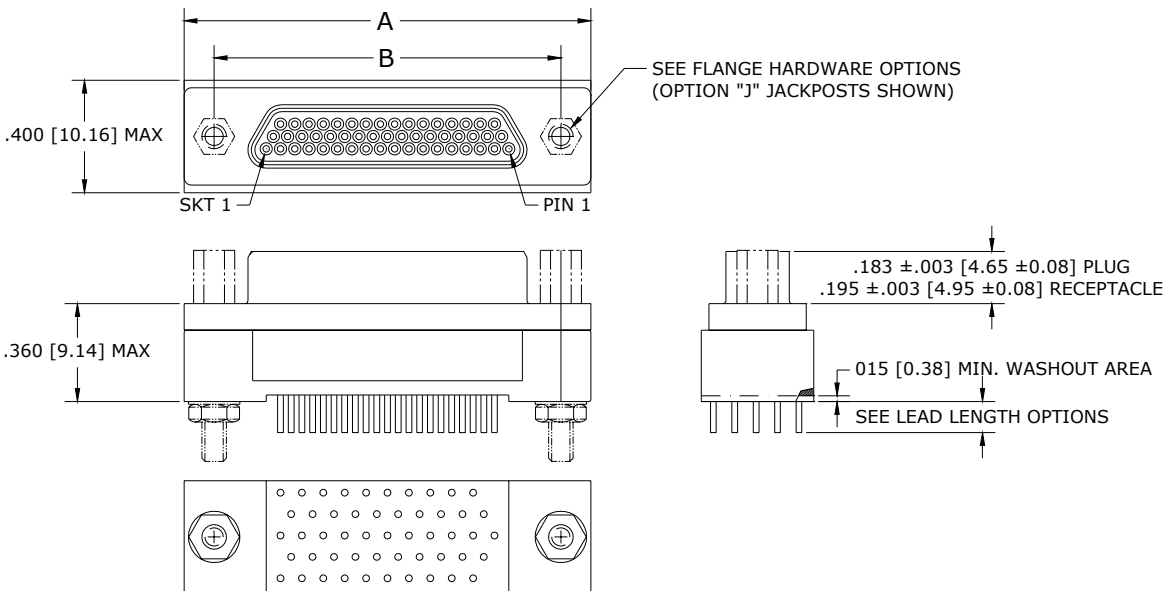
SIZES 9 - 37
(SIZE 9 PLUG (PIN CONTACTS) SHOWN)

DIMENSIONS ARE IN INCHES [MILLIMETERS], TOLERANCE UNLESS OTHERWISE NOTED IS ±.005 [0.13]

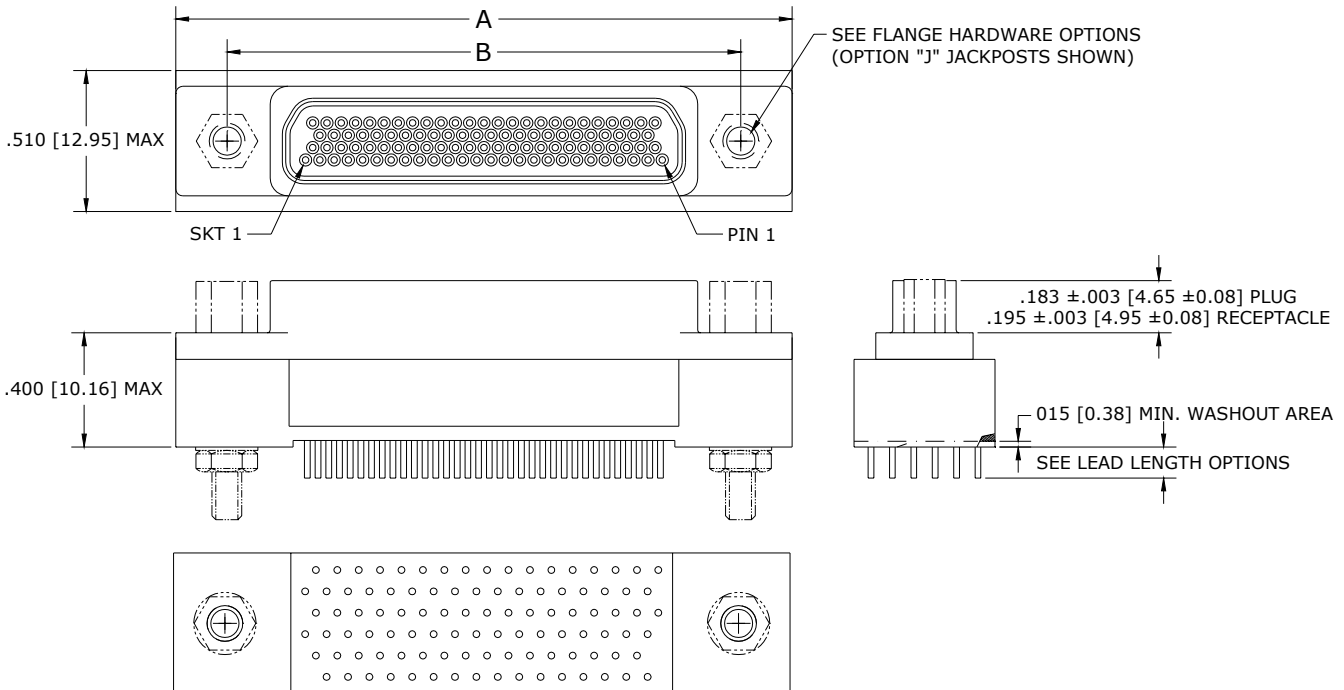


MICROMINIATURE – COTS MICRO-D CONNECTORS

HDMVC – VERTICAL CONDENSED PC BOARD TERMINATION



SIZE 51
(SIZE 51 PLUG (PIN CONTACTS) SHOWN)



SIZE 100
(SIZE 100 RECEPTACLE (SOCKET CONTACTS) SHOWN)

DIMENSIONS ARE IN INCHES [MILLIMETERS], TOLERANCE UNLESS OTHERWISE NOTED IS ±.005 [0.13]



MICROMINIATURE – COTS MICRO-D CONNECTORS

HDMVC – VERTICAL CONDENSED PC BOARD TERMINATION

