



LC7234

Single-chip PLL and Microcontroller with LCD Driver

Overview

The LC7234 is a single-chip microcontroller that incorporates a 0.5 to 150MHz phase-locked loop (PLL) and a liquid-crystal display (LCD) driver, making it ideal for digital tuners. It has a large number of input/output ports and a frequency measurement circuit.

The LC7234 features on-chip RAM and ROM, a programmable high-speed divider, a 6-bit analog-to-digital converter and a low-voltage detection reset circuit.

The LC7234 operates from a 5V supply and is available in 64-pin QIPs.

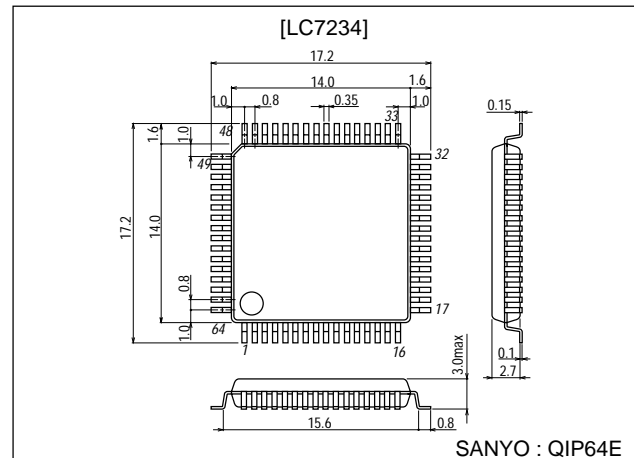
Features

- 150 MHz phase-locked loop.
- LCD driver.
- 6-bit analog-to-digital converter.
- Two 4-bit input ports.
- Two 4-bit input/output ports.
- 6-bit keypad matrix scan output port.
- 2-bit open-drain high-voltage output port.
- 23 mask-selectable output drivers.
- 20-bit universal counter.
- 2048 × 16-bit program ROM (001H to 7FFH user-addressable memory).
- 256 × 4-bit data RAM.
- Low-voltage detection reset circuit.
- Programmable high-speed divider.
- Single-word instructions.
- Four-level stack.
- PLL-unlocked flip-flop.
- Timer flip-flop.
- Programmable watchdog interrupt address.
- Standby mode.
- CPU operates down to 3.5V and retains data retention down to 1.3V.
- 5V supply.
- 64-pin QIP.

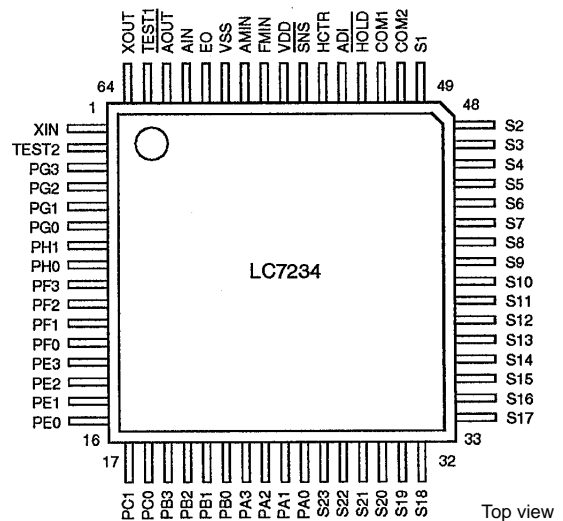
Package Dimensions

unit:mm

3159-QIP64E



Pin Assignment



■ Any and all SANYO products described or contained herein do not have specifications that can handle applications that require extremely high levels of reliability, such as life-support systems, aircraft's control systems, or other applications whose failure can be reasonably expected to result in serious physical and/or material damage. Consult with your SANYO representative nearest you before using any SANYO products described or contained herein in such applications.

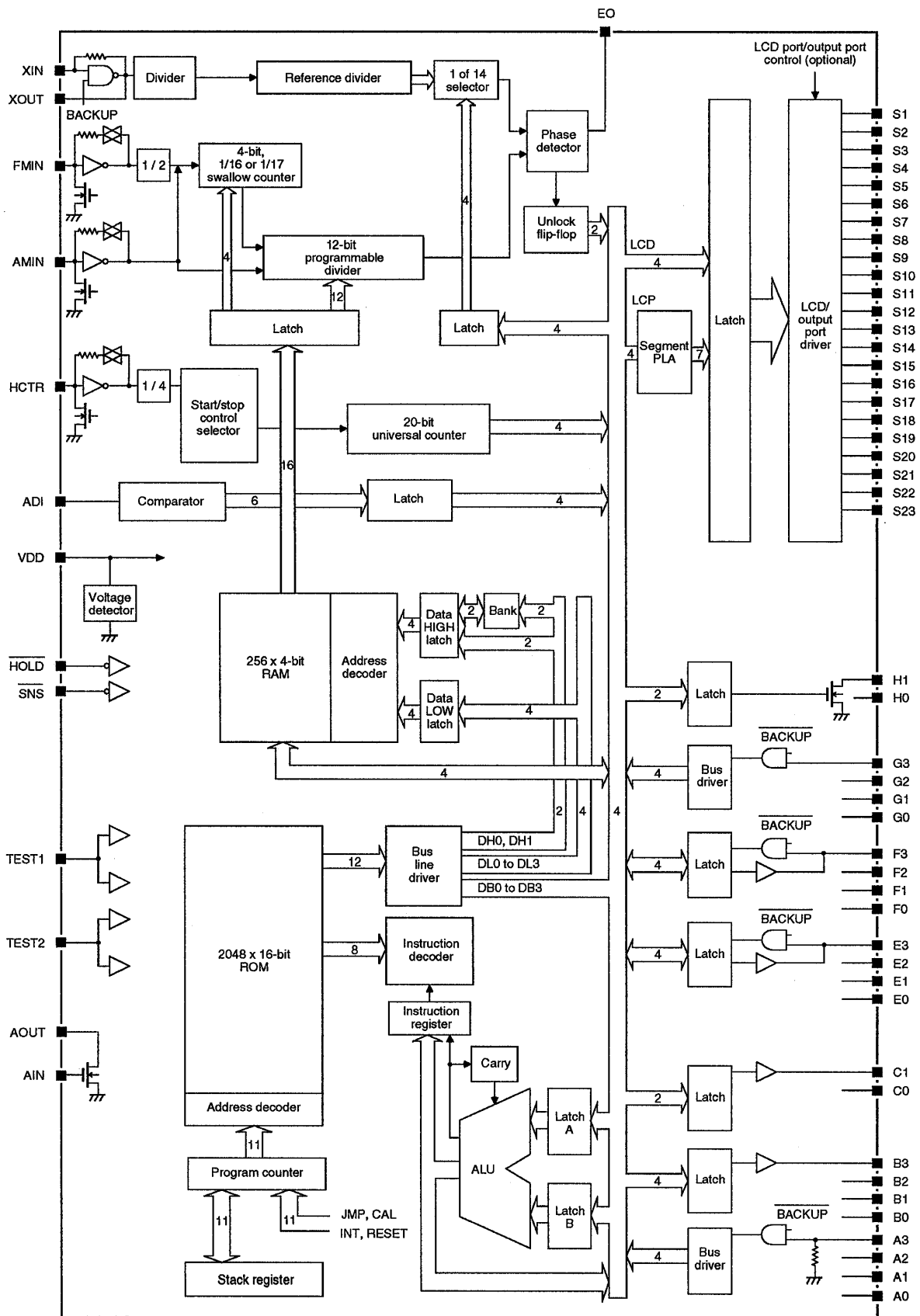
■ SANYO assumes no responsibility for equipment failures that result from using products at values that exceed, even momentarily, rated values (such as maximum ratings, operating condition ranges, or other parameters) listed in products specifications of any and all SANYO products described or contained herein.

SANYO Electric Co., Ltd. Semiconductor Company

TOKYO OFFICE Tokyo Bldg., 1-10, 1 Chome, Ueno, Taito-ku, TOKYO, 110-8534 JAPAN

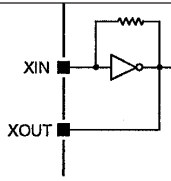
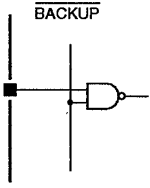
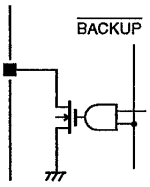
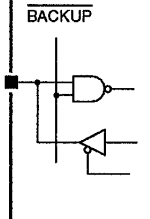
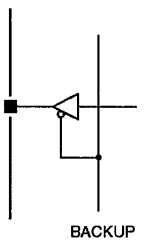
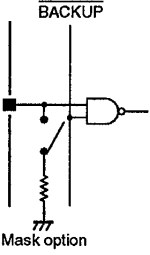
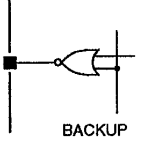
LC7234

Block Diagram



LC7234

Pin Function

Number	Name	Equivalent circuit	Description
1	XIN		Crystal oscillator connections
64	XOUT		
2	TEST2		Test pins
63	TEST1		
3 to 6	PG3 to PG0		Input port G
7, 8	PH1, PH0		Output port H
9 to 12	PF3 to PF0		Input/output port F
13 to 16	PE3 to PE0		Input/output port E
17, 18	PC1, PC0		Output port C
19 to 22	PB3 to PB0		Output port B
23 to 26	PA3 to PA0		Input port A
27 to 49	S23 to S1		LCD segment outputs

Continued on next page.

LC7234

Continued from preceding page.

Number	Name	Equivalent circuit	Description
50, 51	COM2, COM1		LCD common driver outputs
52	HOLD		Hold-mode control input
55	SNS		Power-fail detect
53	ADI		A/D converter input
54	HCTR		Universal counter input
56	V _{DD}		5V supply
57	FMIN		FM VCO input
58	AMIN		AM VCO input
59	V _{SS}		Ground
60	EO		Phase comparator output
61	AIN		Analog input
62	AOUT		Analog output

LC7234

Specifications

Absolute Maximum Ratings at $T_a = 25^\circ\text{C}$, $V_{SS} = 0\text{V}$

Parameter	Symbol	Conditions	Ratings	Unit
Maximum supply voltage	$V_{DD\text{ max}}$		-0.3 to +6.5	V
Port G, HOLD, ADI and SNS input voltage	V_{I1}		-0.3 to +13.0	V
Input voltage (other inputs)	V_{I2}		-0.3 to $V_{DD}+0.3$	V
Port H and AOUT output voltage	V_{O1}		-0.3 to +15.0	V
Output voltage (all other outputs)	V_{O2}		-0.3 to $V_{DD}+0.3$	V
Port H output current	I_{O1}		0 to 5	mA
Ports E and F output current	I_{O2}		0 to 3	mA
Ports B and C output current	I_{O3}		0 to 1	mA
AOUT output current	I_{O4}		0 to 2	mA
Allowable power dissipation	$P_{d\text{ max}}$	$T_a = -40$ to $+85^\circ\text{C}$	400	mW
Operating temperature	T_{opr}		-40 to +85	$^\circ\text{C}$
Storage temperature	T_{stg}		-45 to +125	$^\circ\text{C}$

Recommended Operating Conditions at $T_a = -40$ to $+85^\circ\text{C}$, $V_{DD} = 3.5$ to 5.5V

Parameter	Symbol	Conditions	Ratings			Unit
			min	typ	max	
Supply voltage (PLL and CPU)	V_{DD1}		4.5		5.5	V
Supply voltage (CPU)	V_{DD2}		3.5		5.5	V
Supply voltage for data retention	V_{DD3}		1.3		5.5	V
Port A input high-level voltage	V_{IH1}		$0.6V_{DD}$		V_{DD}	V
Ports E and F input high-level voltage	V_{IH2}		$0.7V_{DD}$		V_{DD}	V
Port G input high-level voltage	V_{IH3}		$0.7V_{DD}$		8.0	V
HOLD input high-level voltage	V_{IH4}		$0.8V_{DD}$		8.0	V
SNS input high-level voltage	V_{IH5}		2.7		8.0	V
Port A input low-level voltage	V_{IL1}		0		$0.2V_{DD}$	V
Ports E and F input low-level voltage	V_{IL2}		0		$0.3V_{DD}$	V
Port G input low-level voltage	V_{IL3}		0		$0.3V_{DD}$	V
HOLD input low-level voltage	V_{IL4}		0		$0.4V_{DD}$	V
SNS input low-level voltage	V_{IL5}		0		1.3	V
XIN input frequency	f_{I1}	$V_I = 0.5$ to 1.5V	4.0	4.5	5.0	MHz
FMIN input frequency	f_{I2}	$V_I = 0.1$ to 1.5V , $V_{DD} = 4.5$ to 5.5V	10		130	MHz
		$V_I = 0.15$ to 1.5V , $V_{DD} = 4.5$ to 5.5V	10		150	
AMIN input frequency (low range)	f_{I3}	$V_I = 0.1$ to 1.5V , $V_{DD} = 4.5$ to 5.5V	0.5		10.0	MHz
AMIN input frequency (high range)	f_{I4}	$V_I = 0.1$ to 1.5V , $V_{DD} = 4.5$ to 5.5V	2		40	MHz
HCTR input frequency	f_{I5}	$V_I = 0.1$ to 1.5V , $V_{DD} = 4.5$ to 5.5V	0.4		12.0	MHz
XIN rms input amplitude	V_{I1}		0.5		1.5	V _{rms}
FMIN rms input amplitude	V_{I2}		0.1		1.5	V _{rms}
AMIN rms input amplitude	V_{I3}		0.1		1.5	V _{rms}
HCTR rms input amplitude	V_{I4}		0.1		1.5	V _{rms}
ADI input voltage	V_{I5}		0		V_{DD}	V _{rms}
Port A input voltage	V_{IF}	Port A is high impedance.			$0.05V_{DD}$	V

Electrical Characteristics at $T_a = -40$ to $+85^\circ\text{C}$, $V_{DD} = 3.5$ to 5.5V , unless otherwise noted

Parameter	Symbol	Conditions	Ratings			Unit
			min	typ	max	
SNS reject pulsewidth	P_{rej}				50	μs
Standby threshold voltage	V_{DET}		2.7	3.0	3.3	V
Ports A, E and F high-level input current	I_{IH1}	Ports E and F are high impedance. Port A has no R_{PD} . $V_I = V_{DD}$			3	μA
Port A high-level input current	I_{IH2}	$V_I = V_{DD} = 5.0\text{V}$. Port A has R_{PD} .		50		μA
AIN high-level input current	I_{IH3}	$V_I = V_{DD}$		0.01	10.0	nA
FMIN, AMIN and HCTR high-level input current	I_{IH4}	$V_I = V_{DD} = 5.0\text{V}$	4	10	30	μA
HOLD, ADI, SNS and port G high-level input current	I_{IH5}	$V_I = 5.5\text{V}$			3	μA
XIN high-level input current	I_{IH6}	$V_I = V_{DD} = 5.0\text{V}$	2	5	15	μA
Ports A, E and F low-level input current	I_{IL1}	Ports E and F are high impedance. Port A has no R_{PD} . $V_I = V_{SS}$			3	μA
AIN low-level input current	I_{IL2}	$V_I = V_{SS}$		0.01	10.0	nA
FMIN, AMIN and HCTR low-level input current	I_{IL3}	$V_I = V_{SS}$	4	10	30	μA

Continued on next page.

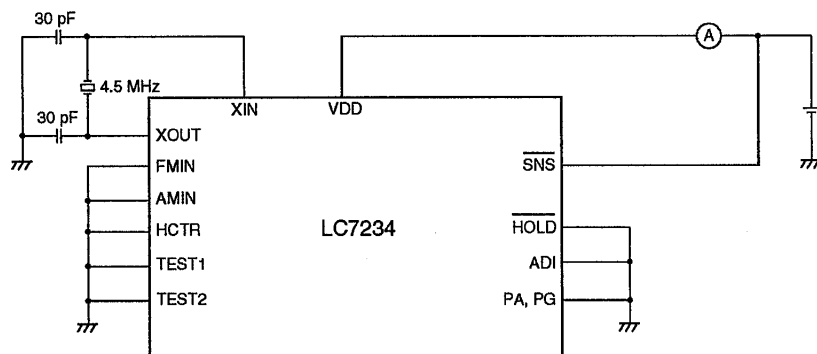
LC7234

Continued from preceding page.

Parameter	Symbol	Conditions	Ratings			Unit
			min	typ	max	
HOLD, ADI, SNS and port G low-level input current	I_{IL4}	$V_I=V_{SS}$			3	μA
XIN low-level input current	I_{IL5}	$V_I=V_{SS}$	2	5	15	μA
Port A pull-down resistance	R_{PD}	$V_{DD}=5V$	75	100	200	$k\Omega$
Ports B, C, E and F low-level output leakage current	I_{OFFL1}	$V_O=V_{SS}$			3	μA
EO low-level output leakage current	I_{OFFL2}	$V_O=V_{SS}$		0.01	10.0	μA
Ports B, C, E and F high-level output leakage current	I_{OFFH1}	$V_O=V_{DD}$			3	μA
Port H high-level output leakage current	I_{OFFH2}	$V_O=13V$			5	μA
AOUT high-level output leakage current	I_{OFFH3}	$V_O=13V$			1	μA
EO high-level output leakage current	I_{OFFH4}	$V_O=V_{DD}$		0.01	10.0	nA
Ports B and C high-level output voltage	V_{OH1}	$I_O=1\text{ mA}$	$V_{DD}-2.0$	$V_{DD}-1.0$	$V_{DD}-0.5$	V
Ports E and F high-level output voltage	V_{OH2}	$I_O=1\text{ mA}$	$V_{DD}-1.0$			V
COM1 and COM2 high-level output voltage	V_{OH3}	$I_O=25\mu A$	$V_{DD}-0.75$	$V_{DD}-0.75$	$V_{DD}-0.3$	V
EO high-level output voltage	V_{OH4}	$I_O=500\mu A$	$V_{DD}-1.0$			V
S1 to S23 high-level output voltage	V_{OH5}	$I_O=-0.1\text{ mA}$	$V_{DD}-1.0$			V
XOUT high-level output voltage	V_{OH6}	$I_O=200\mu A$	$V_{DD}-1.0$			V
Ports B and C low-level output voltage	V_{OL1}	$I_O=50\mu A$	0.5	1.0	2.0	V
Ports E and F low-level output voltage	V_{OL2}	$I_O=1\text{ mA}$			1	V
Port H low-level output voltage	V_{OL3}	$I_O=5\text{ mA}$	0.75 (150 Ω)		2.0 (400 Ω)	V
AOUT low-level output voltage	V_{OL4}	$I_O=5\text{ mA}$, $V_{AIN}=1.3V$			0.5	V
COM1 and COM2 low-level output voltage	V_{OL5}	$I_O=25\mu A$	0.3	0.5	0.75	V
EO low-level output voltage	V_{OL6}	$I_O=500\mu A$			1	V
S1 to S23 low-level output voltage	V_{OL7}	$I_O=0.1\text{ mA}$			1	V
XOUT low-level output voltage	V_{OL8}	$I_O=200\mu A$			1	V
COM1 and COM2 mid-level output voltage	V_{M1}	$V_{DD}=5V$, $I_O=20\mu A$	2.0	2.5	3.0	V
A/D converter error	ϵ	$V_{DD}=4.5\text{ to }5.5V$	-1/2		+1/2	lsb
Supply current	I_{DD1}	$f_I=130\text{ MHz}$, $V_{DD}=4.5\text{ to }5.5V$		15	20	mA
Hold-mode supply current	I_{DD2}	PLL halted, $t_{cyc}=2.67\mu s$		1.5		mA
		PLL halted, $t_{cyc}=13.33\mu s$		1.0		
		PLL halted, $t_{cyc}=40.00\mu s$		0.7		
Standby-mode supply current	I_{DD3}	$V_{DD}=5.5V$, oscillator halted, $T_a=25^\circ C$			5	μA
		$V_{DD}=2.5V$, oscillator halted, $T_a=25^\circ C$			1	

Test Circuits

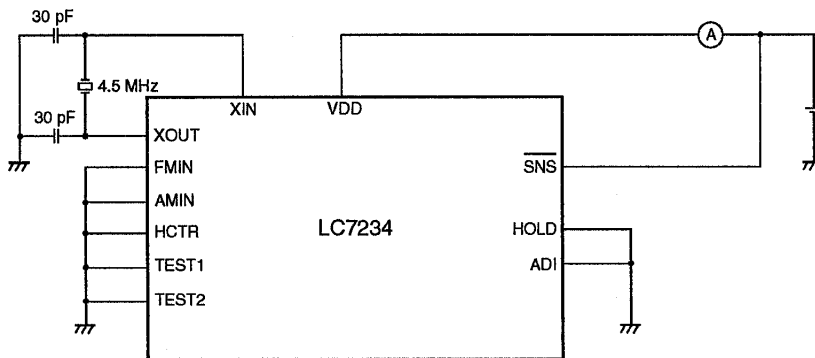
Hold Mode



Notes

1. Ports E and F are selected as output ports.
2. Ports A to H, S1 to S23, COM1 and COM2 are open.

Standby Mode



Note

Ports A to H, S1 to S23, COM1 and COM2 are open.

Functional Description

LCD Driver

The LC7234 can drive LCD segments. The LCP and LCD instructions transfer data to the LCD outputs. The LCD instruction transfers data directly to the LCD outputs. The LCP instruction converts data to 7-segment format before transfer to the outputs.

S1 to S23 are the driver outputs. The LCD frame rate is 100Hz with a 50% duty cycle. After reset or power-up, a blank signal is present on all outputs. In standby mode, all outputs are LOW. They can be used as general-purpose outputs if the appropriate mask option is selected.

COM1 and COM2 are the LCD common driver outputs. Output drive is 50% duty with 50% bias. Upon reset or after power-up, the normal drive signals are present on these outputs. In standby mode, all outputs are LOW.

Frequency Counter

Frequency measurement is performed at the HCTR input by the 20-bit universal counter. The input frequency range is 0.4 to 12MHz, which is used for measuring AM and FM IF frequencies. Capacitive coupling should be used.

Phase-Locked Loop

The FMIN or AMIN input signal is divided down by a programmable divider, and then compared with the crystal frequency, which is also divided down using 14 selectable ratios. The phase difference between the two signals is measured using a phase detector and output on EO.

FMIN is the input pin for the FM VCO input signal. The input frequency range is 10 to 130MHz. Capacitive coupling should be used.

AMIN is the AM VCO input. The bandwidth is adjustable in two ranges by using the PLL instruction-HIGH (2 to 40MHz) for the SW band, and LOW (0.5 to 10MHz), for the LW and MW bands. Capacitive coupling should be used.

Input/Output Ports

Port A

This input port has a low switching threshold, which is used for keypad matrix inputs. Pull-down resistors for all pins are available as a mask option. Note that either all or none of the pins should have pull-down resistors. In standby mode, inputs are ignored.

Ports B and C

These output ports have unbalanced CMOS outputs which are used as keypad matrix scan outputs. Upon reset, outputs are set LOW, and in standby mode, outputs are high impedance. The outputs can be short-circuited.

Port E

The transfer direction of this input/output port is selected automatically under software control. When an input instruction (IN, TPT, or TPF) is executed, port E is configured for input operation, and an output instruction (OUT, SPB or RPB), for output operation. Upon reset, all pins become inputs. In standby mode, the output drivers are high impedance and the input signals are ignored. All bits should either be inputs or outputs.

Port F

The transfer direction of this input/output port is selected by the FPC instruction. Each pin of this port can be set independently to be an input or output. Upon reset, all pins become inputs. In standby mode, the output drivers are high impedance and the input signals are ignored.

Port G

This is an input port only. In standby mode, inputs are ignored.

Port H

These output ports are high-voltage, n-channel open-drain drivers, which are used for switching power supplies. Upon reset and in standby mode, outputs are high impedance.

A/D Converter

The A/D converter is a 6-bit successive approximation type. The conversion cycle time is 1.28 ms. Full-scale output data is 3FH for an input of $(63/96) \times V_{DD}$.

Power-Fail Detection

When connected to the supply, \overline{SNS} is used as a power-fail detector. \overline{SNS} can also be used as a standard input port.

Crystal Oscillator

The master crystal oscillator, which has a feedback resistor on-chip, requires only the connection of a 4.5MHz crystal.

Low-Power Modes

Hold Mode

When the hold-mode control pin, \overline{HOLD} , is driven LOW and the HOLDEN (hold enable) flip-flop has previously been set by an SS instruction, the LC7234 enters hold mode.

\overline{HOLD} has a high-voltage input ($V_{IH(max)} = 8.0V$) which can be connected directly to the power supply.

Standby Mode

When the LC7234 is in hold mode and \overline{HOLD} is LOW, standby mode can be set by the CKSTP instruction.

Test Pins

Two device test pins are provided-TEST1 and TEST2. These should either be tied to V_{SS} or left open.

Instruction Set

ADDR	Program memory address [12 bits]
b	Borrow
B	Bank number [2 bits]
C	Carry
DH	Data memory address high-order bits (row address) [2 bits]
DL	Data memory address low-order bits (column address) [4 bits]
I	Immediate data [4 bits]
M	Data memory address
N	Bit position [4 bits]
Pn	Port number [4 bits]
r	General register (Bank 0 addresses 00H to 0FH)
Rn	Register number [4 bits]
()	Contents of register or memory
()n	Contents of bit N of register or memory

Mnemonic	Operand		Operation	Instruction format																Notation	Description	Skip condition					
	1st	2nd		D15	D14	D13	D12	D11	D10	D9	D8	Add											D0				
												D7	D6	D5	D4	D3	D2	D1									
AD	r	M	Add M to r.	0	1	0	0	0	0	0	0	0	0	0	0	0	0	0	0	0	0	Rn	DL	Adds the contents of M to the contents of r and stores the result in r.			
ADS	r	M	Add M to r and skip if carry.	0	1	0	0	0	1	0	0	0	0	0	0	0	0	0	0	0	0	0	Rn	DL	Adds the contents of M to the contents of r and stores the result in r. Skips if a carry is generated.	Carry	
AC	r	M	Add M to r with carry.	0	1	0	0	0	0	0	1	0	0	0	0	0	0	0	0	0	0	0	Rn	DL	Adds the contents of M to the contents of r and C and stores the result in r.		
ACS	r	M	Add M to r with carry and skip if carry.	0	1	0	0	0	1	0	0	1	0	0	0	0	0	0	0	0	0	0	Rn	DL	Adds the contents of M to the contents of r and C and stores the result in r. Skips if a carry is generated.	Carry	
AI	M	I	Add I to M.	0	1	0	0	1	0	0	0	0	0	0	0	0	0	0	0	0	0	I	DL	Adds the immediate data to the contents of M and stores the result in M.			
AIS	M	I	Add I to M and skip if carry.	0	1	0	0	1	0	1	0	0	1	0	0	0	0	0	0	0	0	I	DL	Adds the immediate data to the contents of M and stores the result in M. Skips if a carry is generated.	Carry		
AIC	M	I	Add I to M with carry.	0	1	0	0	1	0	1	1	0	1	0	0	0	0	0	0	0	0	I	DL	Adds the immediate data to the contents of M and C and stores the result in M.			
AICS	M	I	Add I to M with carry and skip if carry.	0	1	0	0	1	1	0	1	1	1	0	0	0	0	0	0	0	0	I	DL	Adds the immediate data to the contents of M and C and stores the result in M. Skips if a carry is generated.	Carry		
Subtract																											
SU	r	M	Subtract M from r.	0	1	1	0	0	0	0	0	0	0	0	0	0	0	0	0	0	0	0	Rn	DL	Subtracts the contents of M from the contents of r and stores the result in r.		
SUS	r	M	Subtract M from r and skip if borrow.	0	1	1	0	0	0	0	0	0	0	0	0	0	0	0	0	0	0	0	Rn	DL	Subtracts the contents of M from the contents of r and stores the result in r. Skips if a borrow is generated.	Borrow	
SB	r	M	Subtract M from r with borrow.	0	1	1	0	0	0	0	1	0	0	0	0	0	0	0	0	0	0	0	Rn	DL	Subtracts the contents of M from the contents of r with borrow and stores the result in r.		
SBS	r	M	Subtract M from r with borrow and skip if borrow.	0	1	1	0	0	1	0	0	1	0	0	0	0	0	0	0	0	0	0	Rn	DL	Subtracts the contents of M from the contents of r with borrow and stores the result in r. Skips if a borrow is generated.	Borrow	
SI	M	I	Subtract I from M.	0	1	1	0	1	0	0	0	0	0	0	0	0	0	0	0	0	0	I	DL	Subtracts the immediate data from the contents of M and stores the result in M.			
SIS	M	I	Subtract I from M and skip if borrow.	0	1	1	0	1	0	1	0	0	1	0	0	0	0	0	0	0	0	I	DL	Subtracts the immediate data from the contents of M and stores the result in M. Skips if a borrow is generated.	Borrow		
SIB	M	I	Subtract I from M with borrow.	0	1	1	0	1	1	0	1	0	0	0	0	0	0	0	0	0	0	I	DL	Subtracts the immediate data from the contents of M with borrow and stores the result in M.			
SIBS	M	I	Subtract I from M with borrow and skip if borrow.	0	1	1	0	1	1	1	0	1	0	0	0	0	0	0	0	0	0	I	DL	Subtracts the immediate data from the contents of M with borrow and stores the result in M. Skips if a borrow is generated.	Borrow		
Compare																											
SEQ	r	M	Skip if r equals M.	0	0	0	0	0	0	0	0	0	0	0	0	0	0	0	0	0	0	0	Rn	DL	Compares the contents of r and M and skips if they are equal.	(r) = (M)	
SGE	r	M	Skip if r is greater than or equal to M.	0	0	0	0	0	0	0	0	0	0	0	0	0	0	0	0	0	0	0	Rn	DL	Compares the contents of r and M and skips if r is greater than or equal to M.	(r) (M)	
SEI	M	I	Skip if M equals I.	0	0	0	0	0	0	0	0	0	0	0	0	0	0	0	0	0	0	I	DL	Compares the immediate data to the contents of M and skips if they are equal.	(M) - I = 0		
SGEI	M	I	Skip if M is greater than or equal to I.	0	0	0	0	0	0	0	0	0	0	0	0	0	0	0	0	0	0	I	DL	Compares the contents of M with the immediate data and skips if M is greater than or equal to I.	(M) - I (M) I		

Continued on next page.

Continued from preceding page.

Mnemonic	Operand		Operation	Instruction format																Notation	Description	Skip condition
	1st	2nd		D15	D14	D13	D12	D11	D10	D9	D8	D7	D6	D5	D4	D3	D2	D1	D0			
Logic arithmetic																						
AND	M	I	AND I with M.	0	0	1	1	0	0	DH	DL	DL							$M \leftarrow (M) \cdot I$	Calculates the logic-AND of the immediate data and the contents of M and stores the result in M.		
OR	M	I	OR I with M.	0	0	1	1	1	0	DH	DL	DL							$M \leftarrow (M) + I$	Calculates the logic-OR of the immediate data and the contents of M and stores the result in M.		
EXL	r	M	Exclusive-OR M with r.	0	0	1	0	0	0	DH	DL	DL					Rn	$r \leftarrow (r) \oplus (M)$	Calculates the logic-XOR of the contents of r and M, and stores the result in r.			
Load and store																						
LD	r	M	Load M into r.	1	0	0	0	0	0	DH	DL	DL					Rn	$r \leftarrow (M)$	Moves the contents of M to r.			
ST	M	r	Store r in M.	1	0	0	0	1	DH	DL	DL					Rn	$M \leftarrow (r)$	Moves the contents of r to M.				
MVRD	r	M	Move M to M addressed by Rn.	1	0	0	0	1	0	DH	DL	DL				Rn	$[DH, Rn] \leftarrow (M)$	Moves the contents of M to the address referenced by DH and Rn.		DH		
MVRS	M	r	Move M addressed by Rn to M.	1	0	0	0	1	1	DH	DL	DL				Rn	$M \leftarrow [DH, Rn]$	Moves the contents of the memory location referenced by DH and Rn to M.				
MVSR	M1	M2	Move M to M.	1	0	0	1	0	0	DH	DL1	DL2				DL2	$[DH, DL1] \leftarrow [DH, DL2]$	Moves the contents of memory location 2 to memory location 1.				
MVI	M	I	Move I to M.	1	0	0	1	0	1	DH	DL	DL				I	$M \leftarrow I$	Moves the immediate data to M.				
PLL	M	r	Load M to PLL registers.	1	0	0	1	1	0	DH	DL	DL				Rn	$PLLr \leftarrow (M)$	Moves the contents of M to the PLL registers.				
Bit test																						
TMT	M	N	Test bits of M and skip if true	1	0	1	0	0	1	DH	DL	DL				N	skip if $M(N) = \text{all } 1$	Tests the bits of memory location M specified by N. Skips if all bits are logic 1.		All bits specified = 1		
TMF	M	N	Test bits of M and skip if false	1	0	1	0	1	1	DH	DL	DL				N	skip if $M(N) = \text{all } 0$	Tests the bits of memory location M specified by N. Skips if all bits are logic 0.		All bits specified = 0		
Jump and subroutine																						
JMP	ADDR		Jump to address	1	0	1	1				ADDR (12 bits)							$PC \leftarrow ADDR$	Jumps to the address specified by ADDR.			
CAL	ADDR		Call subroutine	1	1	0	0				ADDR (12 bits)							$Stack \leftarrow (PC) + 1,$ $PC \leftarrow ADDR$	Jumps to the subroutine specified by ADDR.			
RT			Return from subroutine	1	1	0	1	0	0	0	0	0	0	0	0	0	0	0	$PC \leftarrow stack$	Returns from a subroutine.		
Flag test																						
TTM	N		Test timer flip-flop	1	1	0	1	0	1	1	0	0	0	0	0	0	N	Skip if timer $F/F = 0$	Tests the timer flip-flop and skips if zero.		Timer $F/F = 0$	
TUL	N		Test PLL flip-flop	1	1	0	1	0	1	1	0	0	0	0	0	0	N	Skip if PLL $F/F = 0$	Tests the PLL-unlocked flip-flop and skips if zero.		PLL $F/F = 0$	
Status register test and set																						
SS	N		Set status register bits	1	1	0	1	1	1	0	0	0	0	0	0	0	N	$(Status\ register\ 1) N \leftarrow 1$	Sets the bits of status register 1 specified by N.			
RS	N		Reset status register bits	1	1	0	1	1	1	0	1	0	0	0	0	0	N	$(Status\ register\ 1) N \leftarrow 0$	Resets the bits of status register 1 specified by N.			
TST	N		Test status register bits and skip if true	1	1	0	1	1	1	1	0	0	0	0	0	N	Skip if (Status register 2) $N = \text{all } 1$	Tests the bits of status register 2 specified by N. Skips if all bits are 1.		All bits specified = 1		
TSF	N		Test status register bits and skip if false	1	1	0	1	1	1	1	1	0	0	0	0	N	Skip if (Status register 2) $N = \text{all } 0$	Tests the bits of status register 2 specified by N. Skips if all bits are 0.		All bits specified = 0		
Bank select																						
BANK	B		Select bank	1	1	0	1	0	0	B	0	0	0	0	0	0	0	0	$BANK \leftarrow B$	Selects one of four memory banks.		

Continued on next page.

Continued from preceding page.

Mnemonic	Operand		Operation	Instruction format																Notation	Description	Skip condition
	1st	2nd		D15	D14	D13	D12	D11	D10	D9	D8	D7	D6	D5	D4	D3	D2	D1	D0			
Input/output																						
LCD	M	I	Move data to LCD segments.	1	1	1	0	0	0	DH	DL	DL	DIGIT	DIGIT					LCD (DIGIT) ← M	Loads the immediate data directly to the LCD driver.		
LCP	M	I	Move 7-segment data to LCD.	1	1	1	0	0	1	DH	DL	DL	DIGIT	DIGIT					LCD (DIGIT) ← PLA ← I	Converts the immediate data to 7-segment format using a PLA then transfers it to the LCD driver.		
IN	M	Ph	Move port data to M.	1	1	1	0	1	0	DH	DL	DL	P	P					M ← (port (Ph))	Moves the data from input port Ph to M.		
OUT	M	Ph	Move data to port.	1	1	1	0	1	1	DH	DL	DL	P	P					(port (Ph)) ← M	Moves the contents of memory location M to port Ph.		
SPB	Ph	N	Set port bits.	1	1	1	1	0	0	0	P	P	N	N					(port (Ph)) N ← 1	Sets the bits of port Ph specified by N to logic 1.		
RPB	Ph	N	Reset port bits.	1	1	1	1	0	1	0	P	P	N	N					(port (Ph)) N ← 0	Sets the bits of port Ph specified by N to logic 0.		
TPT	Ph	N	Test bits of port and skip if true.	1	1	1	1	1	0	1	P	P	N	N					Skip if (port (Ph)) N = all 1	Tests the bits of port Ph specified by N. Skips if all bits are logic 1.	All bits specified = 1	
TPF	Ph	N	Test bits of port and skip if false.	1	1	1	1	1	1	1	P	P	N	N					Skip if (port (Ph)) N = all 0	Tests the bits of port Ph specified by N. Skips if all bits are logic 0.	All bits specified = 0	
Universal counter																						
UCS	I		Set UCCW1.	0	0	0	0	0	0	1	0	0	0	0	0	0	0	I	UCCW1 ← 1	Sets the universal counter flag 1.		
UCC	I		Set UCCW2.	0	0	0	0	0	0	1	0	0	0	0	0	0	0	I	UCCW2 ← 1	Sets the universal counter flag 2.		
Miscellaneous																						
FPC	N		Port F direction control.	0	0	0	1	0	0	0	0	0	0	0	0	0	0	N	FPC latch ← N	Defines the direction of individual pins of port F. If a bit in the port F direction register is set by FPC, the corresponding pin of port F becomes an output.		
CKSTP			Stop clock.	0	0	0	1	0	0	0	1	0	0	0	0	0	0	0	0	Stop clock if $\overline{\text{HOLD}} = 0$	Stops the processor clock if $\overline{\text{HOLD}} = 0$	
NOP			No operation	0	0	0	0	0	0	0	0	0	0	0	0	0	0	0		No operation		

Mask Option

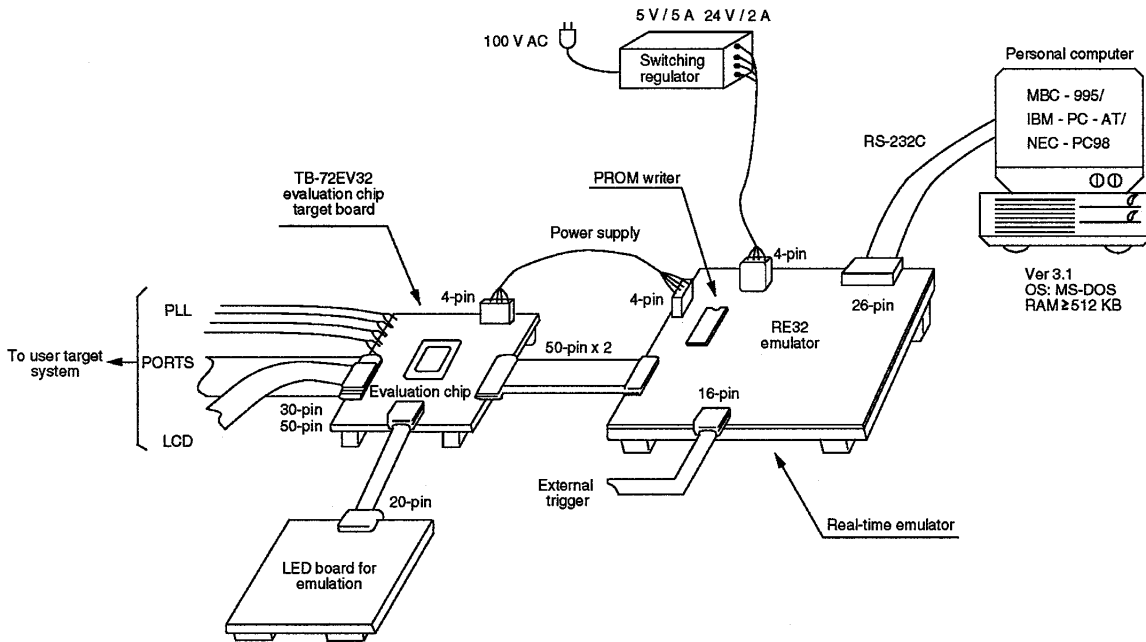
Parameter	Options
Watchdog timer (WDT)	Yes
	No
Pull-down resistors on port A (the keypad matrix input port)	Yes
	No
Instruction cycle time	2.67 μ s

Parameter	Options
Instruction cycle time	13.33 μ s
	40.00 μ s
S1 to S23 configuration	LCD driver output port
	General-purpose output port

Development System

The LC7234 development environment is shown in the following figure. It uses an LC72EV32 evaluation chip mounted on a TB-72EV32 target board and a multifunc-

tional emulator (RE32), which is controlled by a personal computer, to provide full debugging facilities.



- Specifications of any and all SANYO products described or contained herein stipulate the performance, characteristics, and functions of the described products in the independent state, and are not guarantees of the performance, characteristics, and functions of the described products as mounted in the customer's products or equipment. To verify symptoms and states that cannot be evaluated in an independent device, the customer should always evaluate and test devices mounted in the customer's products or equipment.
- SANYO Electric Co., Ltd. strives to supply high-quality high-reliability products. However, any and all semiconductor products fail with some probability. It is possible that these probabilistic failures could give rise to accidents or events that could endanger human lives, that could give rise to smoke or fire, or that could cause damage to other property. When designing equipment, adopt safety measures so that these kinds of accidents or events cannot occur. Such measures include but are not limited to protective circuits and error prevention circuits for safe design, redundant design, and structural design.
- In the event that any or all SANYO products (including technical data, services) described or contained herein are controlled under any of applicable local export control laws and regulations, such products must not be exported without obtaining the export license from the authorities concerned in accordance with the above law.
- No part of this publication may be reproduced or transmitted in any form or by any means, electronic or mechanical, including photocopying and recording, or any information storage or retrieval system, or otherwise, without the prior written permission of SANYO Electric Co., Ltd.
- Any and all information described or contained herein are subject to change without notice due to product/technology improvement, etc. When designing equipment, refer to the "Delivery Specification" for the SANYO product that you intend to use.
- Information (including circuit diagrams and circuit parameters) herein is for example only; it is not guaranteed for volume production. SANYO believes information herein is accurate and reliable, but no guarantees are made or implied regarding its use or any infringements of intellectual property rights or other rights of third parties.

This catalog provides information as of August, 2001. Specifications and information herein are subject to change without notice.