

DESCRIPTION

The LX8610 family are positive very low dropout regulators. They are designed to provide a power supply for very low headroom applications, such as 3.3V–2.5V.

BiCMOS technology allows an effective series pass element resistance, $R_{DS(ON)}$ of 250m Ω resulting in a typical dropout voltage of 250mV at 1A.

Low Quiescent Current and Logic-Controlled Shutdown help conserve battery life and increase system efficiency. Typical quiescent current is under 400 μ A irrespective of

load current, while the shutdown current is only 10 μ A. The device will enter shutdown mode when the \overline{SHDN} pin is pulled low.

Thermal & Short-Circuit Current Limiting: the LX8610 limits the current when the output is shorted, so protecting sensitive load circuits. The device will also turn off if the junction temperature exceeds 155°C.

Available in small outline SOT-223 and 8-pin SOIC: Adjustable versions use the 8-pin SOIC and fixed output voltage devices are supplied in the 3-lead SOT-223.

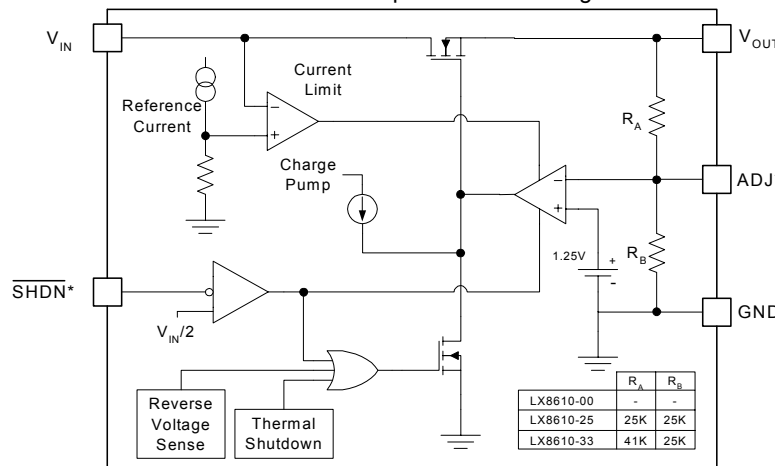
KEY FEATURES

- Dropout Voltage Typically 250mV At 1A And 50mV At 10mA
- Low Quiescent Current, Under 400 μ A, Irrespective Of Load
- Shutdown Current 10 μ A
- Adjustable Output Version In 8-pin SOIC Package
- Fixed Outputs Of 2.5V, 3.3V Available In 3-Pin SOT-223 Package
- Low Reverse Leakage Current
- Short-Circuit And Thermal Shutdown Protection

APPLICATIONS/BENEFITS

- 3.3V & 2.5V Supplies For Memory, Microprocessors, Clock Circuits, Etc.
- Portable Equipment

IMPORTANT: For the most current data, consult MICROSEMI's website: <http://www.microsemi.com>

PRODUCT HIGHLIGHT
LX8610-xx Simplified Block Diagram


* Adjustable version in 8 lead package only.

PACKAGE ORDER INFO

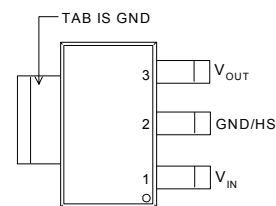
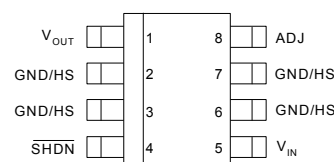
T_J (°C)	OUTPUT VOLTAGE	PLASTIC SOT-223		Plastic Power SOIC	
		ST 3-PIN	DM 8-PIN	DM 8-PIN	SOIC 8-PIN
0 to 125°C	3.3	LX8610-33CST		LX8610-33CDM	
	2.5	LX8610-25CST		LX8610-25CDM	
	ADJ (00)	-		LX8610-00CDM	

Note: Available in Tape & Reel.
Append the letter "T" to the part number. (i.e. LX8610CDMT)

ABSOLUTE MAXIMUM RATINGS

Input Voltage (V_{IN}).....	6.5V
SHDN Pin.....	-0.3V to $V_{IN}+0.3V$
Output Current	1A
Operating Junction Temperature Plastic (ST & DM) Packages.....	125°C
Storage Temperature.....	-65°C to 150°C
Lead Temperature (Soldering, 10 Seconds).....	300°C

Note: Exceeding these ratings could cause damage to the device. All voltages are with respect to Ground. Currents are positive into, negative out of specified terminal.

PACKAGE PIN OUT

ST PACKAGE
(Top View)

DM PACKAGE
(Top View)

THERMAL DATA
ST Plastic SOT-223 Package 3-Pin

THERMAL RESISTANCE-JUNCTION TO TAB, θ_{JT}	15°C/W
THERMAL RESISTANCE-JUNCTION TO AMBIENT, θ_{JA}	150° C/W

DM Plastic SOIC Package 8-Pin

THERMAL RESISTANCE-JUNCTION TO TAB, θ_{JT}	30° C/W
THERMAL RESISTANCE-JUNCTION TO AMBIENT, θ_{JA}	90° C/W

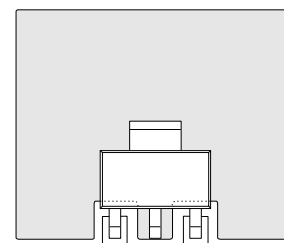
Junction Temperature Calculation: $T_J = T_A + (P_D \times \theta_{JA})$.

The θ_{JA} numbers are guidelines for the thermal performance of the device/pc-board system. All of the above assume no ambient airflow.

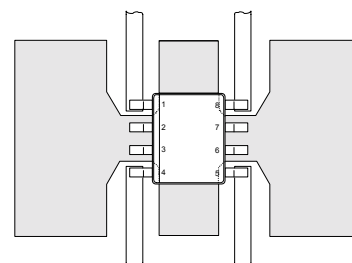
θ_{JA} can be improved with package soldered copper area over backside ground plane or internal power plane. θ_{JA} can vary from 45°C/W > 75°C/W depending on mounting technique. See table below for thermal resistance guidelines:

Copper Area (Topside)*	Copper Area (Backside)*	Board Area	Thermal Resistance (θ_{JA})
ST (SOT-223)			
2.0 sq" (1290mm ²)	1.0 sq" (645 mm ²)	2.0 sq" (1290mm ²)	45°C/W
1.0 sq" (645 mm ²)	0.5 sq" (323 mm ²)	1.0 sq" (645 mm ²)	50°C/W
0.5 sq" (323 mm ²)	0.1 sq" (65 mm ²)	0.5 sq" (323 mm ²)	60°C/W
0.25 sq" (161 mm ²)	0.1 sq" (65 mm ²)	0.25 sq" (161 mm ²)	70°C/W
DM (SOIC)			
2.0 sq" (1290mm ²)	1.0 sq" (645 mm ²)	2.0 sq" (1290mm ²)	60°C/W
1.0 sq" (645 mm ²)	0.5 sq" (323 mm ²)	1.0 sq" (645 mm ²)	67°C/W
0.5 sq" (323 mm ²)	0.1 sq" (65 mm ²)	0.5 sq" (323 mm ²)	70°C/W
0.25 sq" (161 mm ²)	0.1 sq" (65 mm ²)	0.25 sq" (161 mm ²)	75°C/W

*Tab of device attached to topside copper, or leads 2,3,5,6 of SOIC package

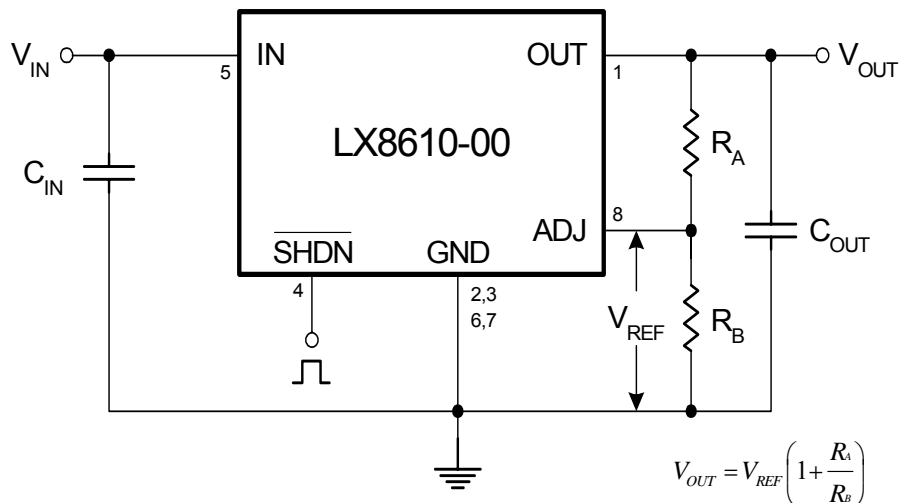
HEAT SINK APPROACH


Possible Heat Sink Approaches using PCB Copper



FUNCTIONAL PIN DESCRIPTION

PIN NAME	DESCRIPTION
V _{IN}	Positive supply input for the regulator. Bypass to GND with at least 2.2µF of low ESR, ESL capacitance if supply source is further than 1 inch from the device.
V _{OUT}	Output for the regulator. It is recommended to bypass to GND with at least 10µF although this is not required for regulation, rather it is needed for transient response. Size your output capacitor to meet the transient loading requirement. If you have a very dynamic load, a larger capacitor will improve the response to these load steps.
GND/HS	Reference ground. The input and output bypass capacitors should be connected to this pin. In addition the tab on the SOT-223 package and pins 2,3,6, and 7 on the SOIC package are also used for heat sinking the device.
ADJ	Feedback pin for the regulator. For the LX8610-00, the output voltage can be set by two external resistors with the following relationship: $V_{OUT} = 1.25V * (1 + R_A / R_B)$ where R _A is the resistor connected between V _{OUT} and ADJ, and R _B is the resistor connected between ADJ and GND.
$\overline{\text{SHDN}}$	Shutdown input. This pin has a threshold of about V _{IN} / 2, it should be actively pulled high to enable the regulator. This can be accomplished with a resistive pull-up. When low, it turns off the regulator and puts the device in a low current shutdown state.

TYPICAL APPLICATION

Figure 1 – Typical Application

RECOMMENDED OPERATING CONDITIONS

Parameter	Symbol	LX8610			Units
		Min	Typ	Max	
Input Voltage	V_{IN}	3.1		5.5	V
Load Current (with adequate heatsinking)		10		1000	mA
Input Capacitor (V_{IN} to GND)		2.2	10		μ F
Output Capacitor (V_{OUT} to GND)		10	22*		μ F

* Size your output capacitor to meet the transient loading requirement. If you have a very dynamic load, a larger capacitor will improve the response to these load steps.

ELECTRICAL CHARACTERISTICS

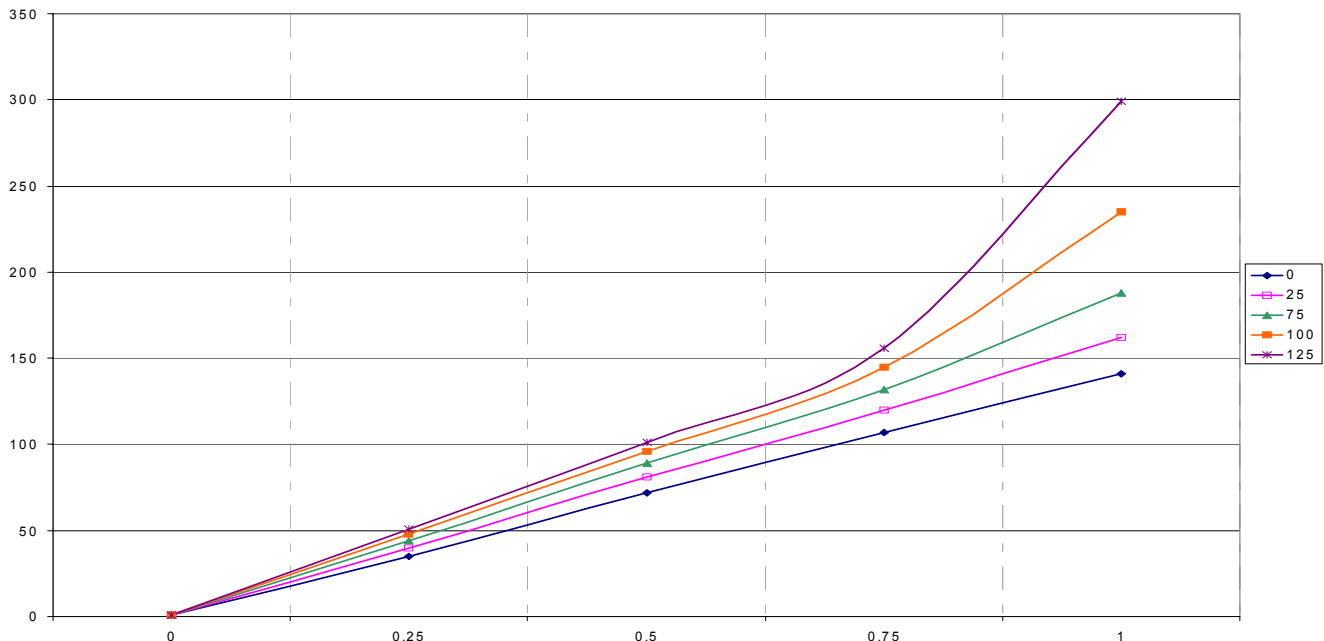
Unless otherwise specified, the following specifications apply over the operating ambient temperature $0^{\circ}\text{C} \leq T_A \leq 125^{\circ}\text{C}$ except where otherwise noted. Test conditions: $V_{IN} = V_{OUT} + 1.5\text{V}$; $I_{OUT} = 10\text{mA}$; $C_{IN} = 10\mu\text{F}$; $C_{OUT} = 22\mu\text{F}$; $T_J = T_A$.

Parameter	Symbol	Test Conditions	LX8610-xx			Units
			Min	Typ	Max	
LX8610-33 FIXED 3.3V, 1A						
Output Voltage	V_{OUT}	$T_J = 25^{\circ}\text{C}$ $V_{IN} = 3.8 \text{ to } 5.5\text{V}$, $I_{OUT} = 10\text{mA to } 1\text{A}$	3.25 3.22	3.3	3.35 3.38	V
Line Regulation	V_{REG}	$V_{IN} = 3.45\text{V to } 5.5\text{V}$		4	8	mV
Load Regulation	I_{REG}	$I_{OUT} = 10\text{mA to } 1\text{A}$		5	10	mV
Dropout Voltage ($V_{DO} = V_{IN} - V_{OUT}$)	V_{DO}	$I_{OUT} = 1\text{A}$, $V_{OUT} = \Delta V_{OUT} - 1\%$ $I_{OUT} = 0.5\text{A}$, $V_{OUT} = \Delta V_{OUT} - 1\%$ $I_{OUT} = 10\text{mA}$, $V_{OUT} = \Delta V_{OUT} - 1\%$		0.25 0.15 0.05	0.45 0.25 0.15	V
Short Circuit Current	I_{SC}	$V_{OUT} = 0\text{V}$		1.25	1.7	A
Quiescent Current	I_Q	$I_{OUT} = 10\text{mA to } 1\text{A}$ $V_{IN} = 4.8\text{V}$; $V_{SHDN} < 0.8\text{V}$		400 1	600 40	μ A
Reverse Leakage Current	I_{REV}	$0\text{V} < V_{IN} < V_{OUT}$, $V_{OUT} < 3.4\text{V}$ (at V_{OUT}) $0\text{V} < V_{IN} < V_{OUT}$, $V_{OUT} < 3.4\text{V}$ (at V_{IN})		400 -50	650 0	μ A mA
Shutdown Threshold *	V_{SHDN}	V_{SHDN} falling V_{SHDN} rising	0.8	$(V_{IN} / 2)$ $(V_{IN} / 2)$		V
SHDN Bias Current *	I_{SHDN}	$V_{SHDN} < 0.8\text{V}$ $V_{SHDN} = 3\text{V}$		-2 -1		μ A
LX8610-25 FIXED 2.5V, 1A						
Output Voltage	V_{OUT}	$T_J = 25^{\circ}\text{C}$ $V_{IN} = 3.1\text{V}$, $I_{OUT} = 10\text{mA to } 1\text{A}$	2.46 2.44	2.5	2.54 2.56	V
Line Regulation	V_{REG}	$V_{IN} = 3.1\text{V to } 5.5\text{V}$, $I_{OUT} = 10\text{mA}$		4	8	mV
Load Regulation	I_{REG}	$I_{OUT} = 10\text{mA to } 1\text{A}$		5	10	mV
Dropout Voltage ($V_{DO} = V_{IN} - V_{OUT}$)	V_{DO}	$I_{OUT} = 1\text{A}$, $V_{OUT} = \Delta V_{OUT} - 1\%$ $I_{OUT} = 0.5\text{A}$, $V_{OUT} = \Delta V_{OUT} - 1\%$ $I_{OUT} = 10\text{mA}$, $V_{OUT} = \Delta V_{OUT} - 1\%$		0.25 0.15 0.05	0.45 0.25 0.15	V
Short Circuit Current	I_{SC}	$V_{OUT} = 0\text{V}$		1.25	1.7	A
Quiescent Current	I_Q	$I_{OUT} = 10\text{mA to } 1\text{A}$ $V_{IN} = 4.8\text{V}$; $V_{SHDN} < 0.8\text{V}$		300 1	600 40	μ A
Reverse Leakage Current	I_{REV}	$0\text{V} < V_{IN} < V_{OUT}$, $V_{OUT} < 2.6\text{V}$ (at V_{OUT}) $0\text{V} < V_{IN} < V_{OUT}$, $V_{OUT} < 2.6\text{V}$ (at V_{IN})		400 -50	650 0	μ A mA
Shutdown Threshold *	V_{SHDN}	V_{SHDN} falling V_{SHDN} rising	0.8	$V_{IN} / 2$ $(V_{IN} / 2)$		V
SHDN Bias Current *	I_{SHDN}	$V_{SHDN} < 0.8\text{V}$ $V_{SHDN} = 3\text{V}$		-2 -1		μ A

ELECTRICAL CHARACTERISTICS (CONTINUED)

Parameter	Symbol	Test Conditions	LX8610-xx			Units
			Min	Typ	Max	
LX8610-00 ADJUSTABLE OUTPUT, 1A						
Reference Voltage	V_{REF}	$T_J = 25^\circ\text{C}$	1.23	1.22	1.27	V
		$V_{IN} = 3.1\text{V}, I_{OUT} = 10\text{mA to } 1\text{A}$	1.22	1.25	1.28	
Line Regulation	V_{REG}	$V_{IN} = 3.1\text{V to } 5.5\text{V}, I_{OUT} = 10\text{mA}$		4	8	mV
Load Regulation	I_{REG}	$I_{OUT} = 10\text{mA to } 1\text{A}$		7	15	mV
Short Circuit Current	I_{SC}	$V_{OUT} = 0\text{V}$		1.25	1.7	A
Dropout Voltage ($V_{DO} = V_{IN} - V_{OUT}$)	V_{DO}	$I_{OUT} = 1\text{A}, V_{IN} > 4\text{V}$		0.25	0.45	V
		$I_{OUT} = 0.5\text{A}, V_{IN} > 3\text{V}$		0.15	0.25	
		$I_{OUT} = 10\text{mA}, V_{IN} > 3\text{V}$		0.05	0.15	
Quiescent Current	I_Q	$I_{OUT} = 10\text{mA to } 1\text{A}, V_{IN} = 5.5\text{V}$		400	600	μA
Quiescent Current in Shutdown		$V_{IN} = 4.8\text{V}; V_{SHDN} < 0.8\text{V}$		1	40	
Reverse Leakage Current	I_{REV}	$0\text{V} < V_{IN} < V_{OUT}, V_{OUT} < 5.5\text{V (at } V_{OUT})$		400	650	μA
		$0\text{V} < V_{IN} < V_{OUT}, V_{OUT} < 5.5\text{V (at } V_{IN})$	-50	0		
Bias Current at ADJ Pin	I_{BIAS}			100		nA
Shutdown Threshold *	V_{SHDN}	V_{SHDN} falling	0.8	$(V_{IN} / 2)$		V
		V_{SHDN} rising		$(V_{IN} / 2)$		
SHDN Bias Current *	I_{SHDN}	$V_{SHDN} < 0.8\text{V}$		-2		μA
		$V_{SHDN} = 3\text{V}$		-1		

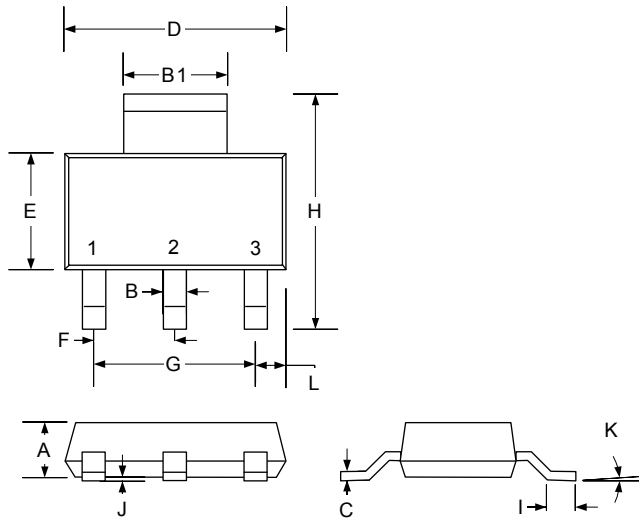
* Note: Shutdown Threshold and Shutdown Bias Current apply only to 8-Pin SOIC package outline versions

DROPOUT VOLTAGE VS. OUTPUT CURRENT
LX8610 Dropout vs. Load vs. Temp

FIGURE 2 – Dropout Voltage Vs. Output Current (Typical – LX8610-25CST)



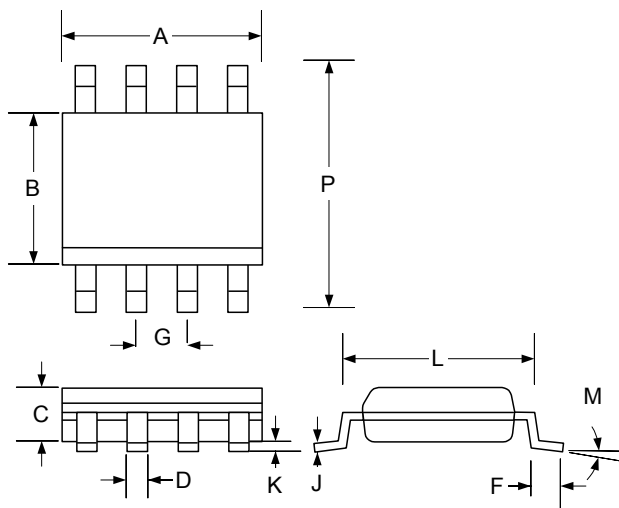
MECHANICAL DIMENSIONS

ST 3-Pin Plastic SOT-223



Dim	MILLIMETERS		INCHES	
	MIN	MAX	MIN	MAX
A	1.55	1.80	0.061	0.071
B	0.65	0.85	0.026	0.033
B1	2.95	3.15	0.116	0.124
C	0.25	0.35	0.010	0.014
D	6.30	6.70	0.248	0.264
E	3.30	3.70	0.130	0.146
F	2.30 BSC		0.0905 BSC	
G	4.60 BSC		0.181 BSC	
H	6.71	7.29	0.264	0.287
I	–	0.91	–	0.036
J	0.02	0.10	.0008	.004
K	10° MAX		10° MAX	
L	.084	1.04	0.033	0.041

DM 8-Pin Plastic SOIC



Dim	MILLIMETERS		INCHES	
	MIN	MAX	MIN	MAX
A	4.83	5.00	0.190	0.197
B	3.81	3.94	0.150	0.155
C	1.35	1.75	0.053	0.069
D	0.33	0.51	0.013	0.020
F	–	0.77	–	0.030
G	1.27 BSC		0.050 BSC	
J	0.19	0.25	0.007	0.010
K	0.13	0.25	0.005	0.010
L	4.80	5.21	0.189	0.205
M	–	8°	–	8°
P	5.79	6.20	0.228	0.244
*LC	–	0.10	–	0.004

*Lead Coplanarity

Note: Dimensions do not include mold flash or protrusions; these shall not exceed 0.155mm(.006") on any side. Lead dimension shall not include solder coverage.



LINFINITY

A MICROSEMI COMPANY

LX8610-xx

1A BiCMOS Very Low Dropout Regulators

PRODUCTION DATASHEET

NOTES

PRODUCTION DATA – Information contained in this document is proprietary to Linfinity and is current as of publication date. This document may not be modified in any way without the express written consent of Linfinity. Product processing does not necessarily include testing of all parameters. Linfinity reserves the right to change the configuration and performance of the product and to discontinue product at any time.

[Home](#) > [Products](#) >[Power Management](#) > [Low Drop Out Regulator - Positive Adjustable](#) > LX8610-00CST

LX8610-00CST (#45619)

Low Drop Out Regulator - Positive Adjustable

Package

SOT-223_POWER(SM)

Division [Integrated Prod \(GG\)](#)**Datasheet** [msc1720.pdf](#)**Mil-Spec** (none)**Shipping** (none)**Qual Data** (none)**Description**

The LX8610 family are positive

Absolute Maximum Ratings	Symbol	Max	Unit
Output Current	I_O	1	A
Input Voltage	V_{IN}	5.5	V

Electrical Characteristics	Symbol	Min	Typ	Max	Unit
Dropout Voltage	ΔV			0.6	V
Reference Voltage	V_{REF}	1.25		4.9	V

*** No Drawing Available**