

**MC1495L**  
**MC1595L**

**WIDEBAND MONOLITHIC  
 FOUR-QUADRANT MULTIPLIER**

... designed for uses where the output is a linear product of two input voltages. Maximum versatility is assured by allowing the user to select the level shift method. Typical applications include: multiply, divide\*, square root\*, mean square\*, phase detector, frequency doubler, balanced modulator/demodulator, electronic gain control.

\*When used with an operational amplifier.

- Wide Bandwidth
- Excellent Linearity – 1% max Error on X-Input, 2% max Error on Y-Input – MC1595L
- Excellent Linearity – 2% max Error on X-Input, 4% max Error on Y-Input – MC1495L
- Adjustable Scale Factor, K
- Excellent Temperature Stability
- Wide Input Voltage Range –  $\pm 10$  Volts
- $\pm 15$  Volt Operation

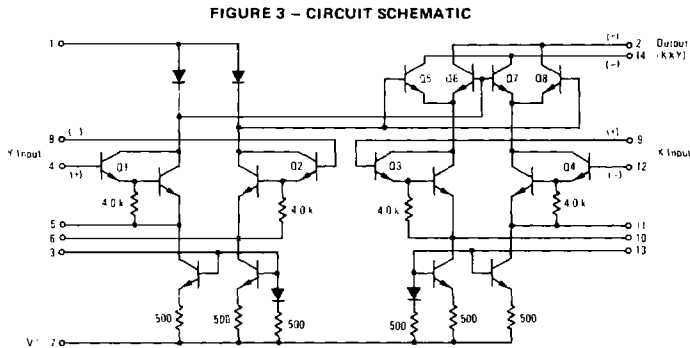
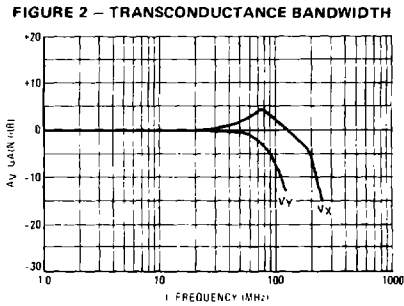
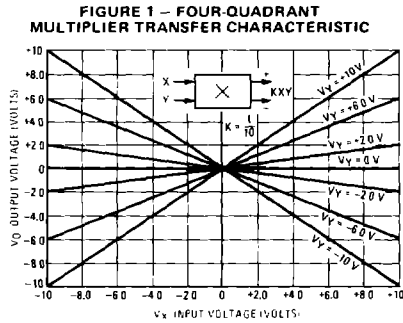
**LINEAR FOUR-QUADRANT  
 MULTIPLIER**

**SILICON MONOLITHIC  
 INTEGRATED CIRCUIT**



**D SUFFIX**  
 PLASTIC PACKAGE  
 CASE 751A  
 (ISO-14)

**L SUFFIX**  
 CERAMIC PACKAGE  
 CASE 632



# MC1495L, MC1595L

**ELECTRICAL CHARACTERISTICS** ( $V^+ = +32\text{ V}$ ,  $V^- = -15\text{ V}$ ,  $T_A = +25^\circ\text{C}$ ,  $I_3 = I_{13} = 1.0\text{ mA}$ ,  $R_X = R_Y = 15\text{ k}\Omega$ ,  $R_L = 11\text{ k}\Omega$  unless otherwise noted)

Characteristic		Figure	Symbol	Min	Typ	Max	Unit
Linearity: Output Error in Percent of Full Scale: $T_A = +25^\circ\text{C}$ -10 < $V_X$ < +10 ( $V_Y = \pm 10\text{ V}$ ) -10 < $V_Y$ < +10 ( $V_X = \pm 10\text{ V}$ ) $T_A = 0$ to $+70^\circ\text{C}$ -10 < $V_X$ < +10 ( $V_Y = \pm 10\text{ V}$ ) -10 < $V_Y$ < +10 ( $V_X = \pm 10\text{ V}$ ) $T_A = -55^\circ\text{C}$ to $+125^\circ\text{C}$ -10 < $V_X$ < +10 ( $V_Y = \pm 10\text{ V}$ ) -10 < $V_Y$ < +10 ( $V_X = \pm 10\text{ V}$ )	MC1495 MC1595 MC1495 MC1595 MC1495	5	ERX ERY ERX ERY ERX ERY	— — — — — —	$\pm 1.0$ $\pm 0.5$ $\pm 2.0$ $\pm 1.0$ $\pm 1.5$ $\pm 3.0$	$\pm 2.0$ $\pm 1.0$ $\pm 4.0$ $\pm 2.0$ — —	%
Squaring Mode Error: Accuracy in Percent of Full Scale After Offset and Scale Factor Adjustment $T_A = +25^\circ\text{C}$ $T_A = 0$ to $+70^\circ\text{C}$ $T_A = -55^\circ\text{C}$ to $+125^\circ\text{C}$	MC1495 MC1595 MC1495 MC1595	5	ESQ	— — — —	$\pm 0.75$ $\pm 0.5$ $\pm 1.0$ $\pm 0.75$	— — — —	%
Scale Factor (Adjustable) $K = \frac{2R_L}{I_3 R_X R_Y}$		—	K	—	0.1	—	
Input Resistance ( $f = 20\text{ Hz}$ )	MC1495 MC1595 MC1495 MC1595	7	$R_{iNX}$ $R_{iNY}$	— — — —	30 35 20 35	— — — —	$M\Omega$
Differential Output Resistance ( $f = 20\text{ Hz}$ )		8	$R_o$	—	300	—	$k\Omega$
Input Bias Current $I_{bx} = \frac{(I_9 + I_{12})}{2}$ , $I_{by} = \frac{(I_4 + I_8)}{2}$	MC1495 MC1595 MC1495 MC1595	6	$I_{bx}$ $I_{by}$	— — — —	2.0 2.0 2.0 2.0	12 8.0 12 8.0	$\mu\text{A}$
Input Offset Current $ I_9 - I_{12} $ $ I_4 - I_8 $	MC1495 MC1595 MC1495 MC1595	6	$ I_{ioX} $ $ I_{ioY} $	— — — —	0.4 0.2 0.4 0.2	2.0 1.0 2.0 1.0	$\mu\text{A}$
Average Temperature Coefficient of Input Offset Current ( $T_A = 0$ to $+70^\circ\text{C}$ ) ( $T_A = -55^\circ\text{C}$ to $+125^\circ\text{C}$ )	MC1495 MC1595	6	$ TCI_{io} $	— —	2.5 2.5	— —	$\text{nA}^\circ\text{C}$
Output Offset Current $ I_{14} - I_2 $	MC1495 MC1595	6	$I_{oo}$	—	20 10	100 50	$\mu\text{A}$
Average Temperature Coefficient of Output Offset Current ( $T_A = 0$ to $+70^\circ\text{C}$ ) ( $T_A = -55^\circ\text{C}$ to $+125^\circ\text{C}$ )	MC1495 MC1595	6	$ TCI_{oo} $	— —	20 20	— —	$\text{nA}^\circ\text{C}$
Frequency Response 3.0 dB Bandwidth, $R_L = 11\text{ k}\Omega$ 3.0 dB Bandwidth, $R_L = 50\text{ }\Omega$ (Transconductance Bandwidth) 3° Relative Phase Shift Between $V_X$ and $V_Y$ 1% Absolute Error Due to Input-Output Phase Shift		9,10	$BW_{3dB}$ $TBW_{3dB}$ $f_\phi$ $f_\theta$	— — — —	3.0 80 750 30	— — — —	MHz MHz kHz kHz
Common Mode Input Swing (Either Input)	MC1495 MC1595	11	CMV	$\pm 10.5$ $\pm 11.5$	$\pm 12$ $\pm 13$	— —	Vdc
Common Mode Gain (Either Input)	MC1495 MC1595	11	ACM	-40 -50	-50 -60	— —	dB
Common Mode Quiescent Output Voltage		12	$V_{o1}$ $V_{o2}$	— —	21 21	— —	Vdc
Differential Output Voltage Swing Capability		9	$V_o$	—	$\pm 14$	—	$V_{peak}$
Power Supply Sensitivity		12	$S^+$ $S^-$	— —	5.0 10	— —	mV/V
Power Supply Current		12	$I_7$	—	6.0	7.0	mA
DC Power Dissipation		12	$P_D$	—	135	170	mW

# MC1495L, MC1595L

## MAXIMUM RATINGS ( $T_A = +25^\circ\text{C}$ unless otherwise noted)

Rating	Symbol	Value	Unit
Applied Voltage ( $V_2-V_1, V_{14}-V_1, V_1-V_9, V_1-V_{12}, V_1-V_4,$ $V_1-V_8, V_{12}-V_7, V_9-V_7, V_8-V_7, V_4-V_7$ )	$\Delta V$	30	Vdc
Differential Input Signal	$V_{12}-V_9$ $V_4-V_8$	$\pm(6+1/3 R_X)$ $\pm(6+1/3 R_Y)$	Vdc Vdc
Maximum Bias Current	$I_3$ $I_{13}$	10 10	mA
Power Dissipation (Package Limitation) Ceramic Package Derate above $T_A = +25^\circ\text{C}$	$P_D$	750 5.0	mW mW/ $^\circ\text{C}$
Operating Temperature Range	$T_A$	0 to +70 -55 to +125	$^\circ\text{C}$ $^\circ\text{C}$
Storage Temperature Range	$T_{stg}$	-65 to +150	$^\circ\text{C}$

## TEST CIRCUITS

FIGURE 4 - LINEARITY (USING NULL TECHNIQUE)

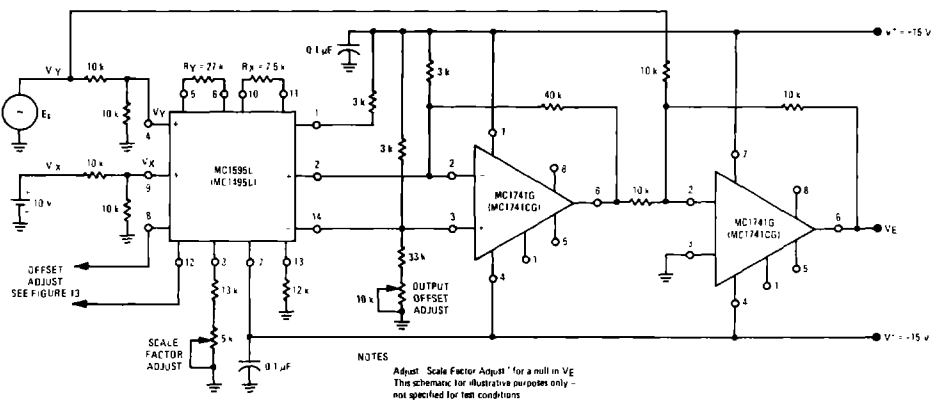
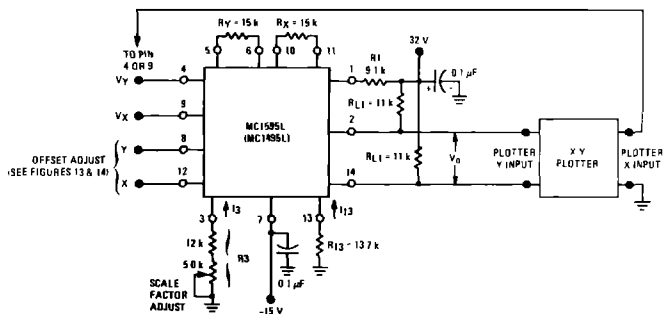


FIGURE 5 - LINEARITY (USING X-Y PLOTTER TECHNIQUE)



# MC1495L, MC1595L

## TEST CIRCUITS (continued)

FIGURE 6 — INPUT AND OUTPUT CURRENT

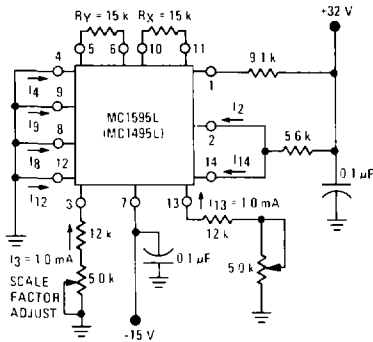


FIGURE 7 — INPUT RESISTANCE

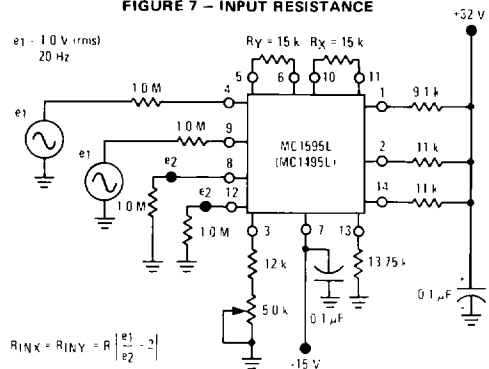


FIGURE 8 — OUTPUT RESISTANCE

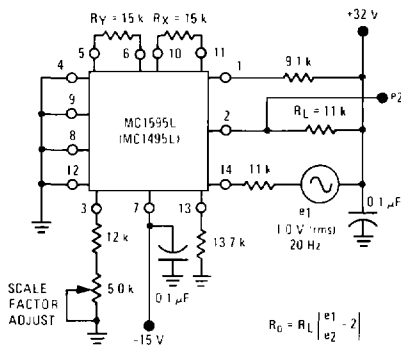


FIGURE 9 — BANDWIDTH ( $R_L = 11\text{ k}\Omega$ )

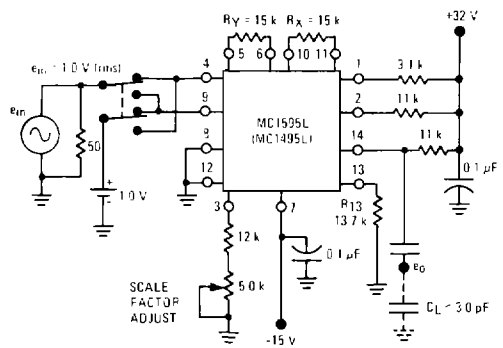


FIGURE 10 — BANDWIDTH ( $R_L = 50\ \Omega$ )

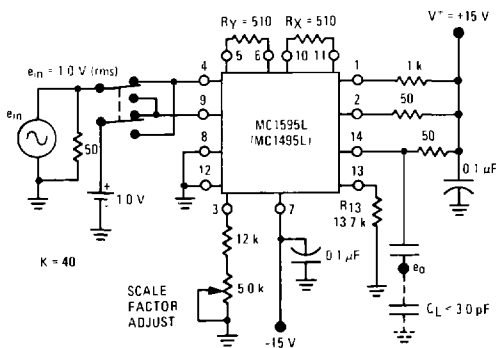
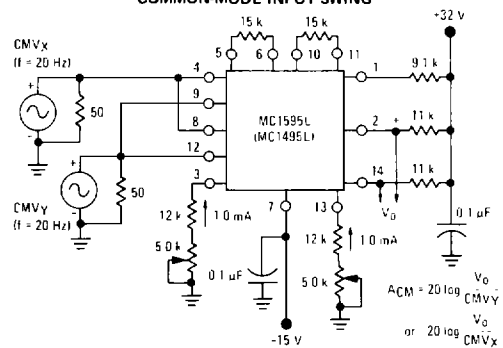


FIGURE 11 — COMMON-MODE GAIN and COMMON-MODE INPUT SWING



# MC1495L, MC1595L

## TEST CIRCUITS (continued)

FIGURE 12 – POWER SUPPLY SENSITIVITY

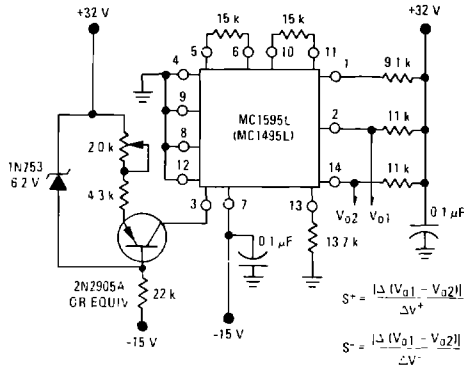


FIGURE 13 – OFFSET ADJUST CIRCUIT

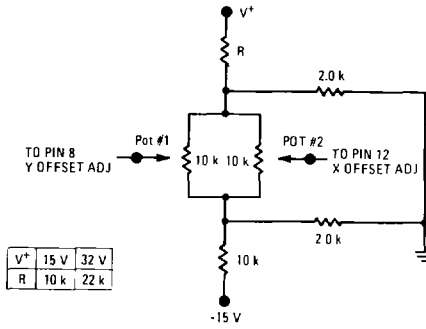
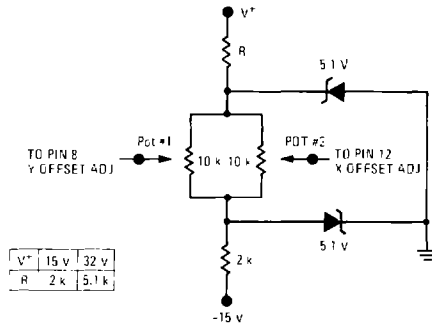


FIGURE 14 – OFFSET ADJUST CIRCUIT (ALTERNATE)



# MC1495L, MC1595L

## TYPICAL CHARACTERISTICS

FIGURE 15 – LINEARITY versus TEMPERATURE

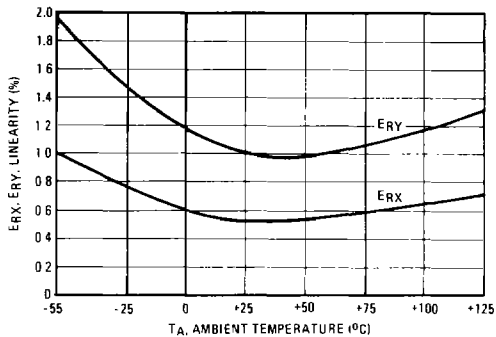


FIGURE 16 – SCALE FACTOR versus TEMPERATURE

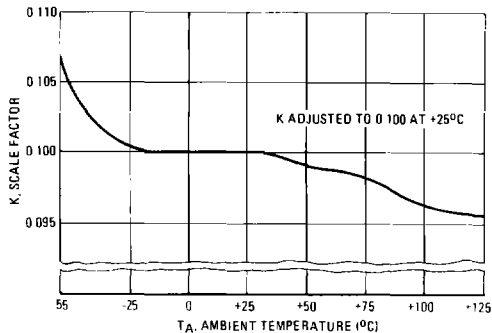


FIGURE 17 – ERROR CONTRIBUTED BY INPUT DIFFERENTIAL AMPLIFIER

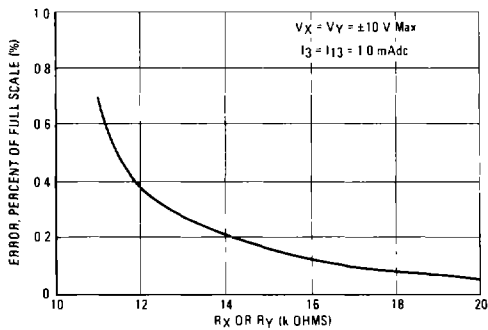


FIGURE 18 – ERROR CONTRIBUTED BY INPUT DIFFERENTIAL AMPLIFIER

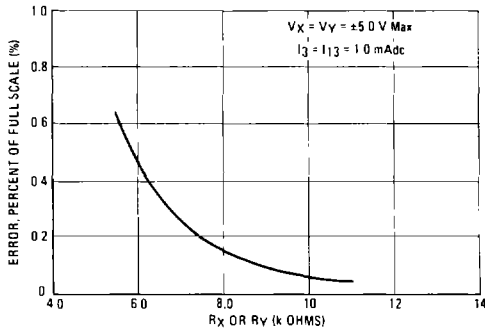
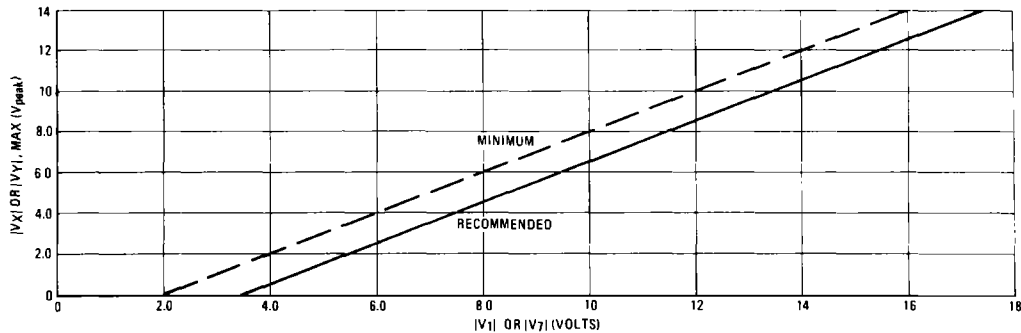


FIGURE 19 – MAXIMUM ALLOWABLE INPUT VOLTAGE versus VOLTAGE AT PIN 1 OR PIN 7



11

# MC1495L, MC1595L

## OPERATION AND APPLICATIONS INFORMATION

### THEORY OF OPERATION

The MC1595 (MC1495) is a monolithic, four-quadrant multiplier which operates on the principle of variable transconductance. The detailed theory of operation is covered in Application Note AN-489, Analysis and Basic Operation of the MC1595. The result of this analysis is that the differential output current of the multiplier is given by

$$I_A - I_B = I_3 = \frac{2V_X V_Y}{R_X R_Y I_3}$$

where  $I_A$  and  $I_B$  are the currents into pins 14 and 2, respectively, and  $V_X$  and  $V_Y$  are the X and Y input voltages at the multiplier input terminals

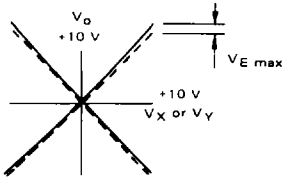
### DESIGN CONSIDERATIONS

#### General

The MC1595 (MC1495) permits the designer to tailor the multiplier to a specific application by proper selection of external components. External components may be selected to optimize a given parameter (e.g. bandwidth) which may in turn restrict another parameter (e.g. maximum output voltage swing). Each important parameter is discussed in detail in the following paragraphs

#### Linearity, Output Error, $E_{RX}$ or $E_{RY}$

Linearity error is defined as the maximum deviation of output voltage from a straight line transfer function. It is expressed as error in percent of full scale (see figure below).



For example, if the maximum deviation,  $V_{E(max)}$ , is  $\pm 100$  mV and the full scale output is 10 volts, then the percentage error is

$$E_R = \frac{V_{E(max)}}{V_{o(max)}} \times 100 = \frac{100 \times 10^{-3}}{10} \times 100 = \pm 1.0\%$$

Linearity error may be measured by either of the following methods:

- 1 Using an X - Y plotter with the circuit shown in Figure 5, obtain plots for X and Y similar to the one shown above
- 2 Use the circuit of Figure 4. This method nulls the level shifted output of the multiplier with the original input. The peak output of the null operational amplifier will be equal to the error voltage,  $V_{E(max)}$ .

One source of linearity error can arise from large signal non-linearity in the X and Y input differential amplifiers. To avoid introducing error from this source, the emitter degeneration resistors  $R_X$  and  $R_Y$  must be chosen large enough so that non-linear base-emitter voltage variation can be ignored. Figures 17 and 18 show the error expected from this source as a function of the values of  $R_X$  and  $R_Y$  with an operating current of 1.0 mA in each side of the differential amplifiers (i.e.,  $I_3 = I_{13} = 1.0$  mA)

### 3 dB Bandwidth and Phase Shift

Bandwidth is primarily determined by the load resistors and the stray multiplier output capacitance and/or the operational amplifier used to level shift the output. If wideband operation is desired, low value load resistors and/or a wideband operational amplifier should be used. Stray output capacitance will depend to a large extent on circuit layout.

Phase shift in the multiplier circuit results from two sources phase shift common to both X and Y channels (due to the load resistor-output capacitance pole mentioned above) and relative phase shift between X and Y channels (due to differences in transmittance in the X and Y channels). If the input to output phase shift is only  $0.6^\circ$ , the output product of two sine waves will exhibit a vector error of 1%. A  $3^\circ$  relative phase shift between  $V_X$  and  $V_Y$  results in a vector error of 5%.

### Maximum Input Voltage

$V_{X(max)}$ ,  $V_{Y(max)}$  maximum input voltages must be such that

$$V_{X(max)} < I_{13} R_Y$$

$$V_{Y(max)} < I_{13} R_X$$

Exceeding this value will drive one side of the input amplifier to "cutoff" and cause non-linear operation

Currents  $I_3$  and  $I_{13}$  are chosen at a convenient value (observing power dissipation limitation) between 0.5 mA and 2.0 mA, approximately 1.0 mA. Then  $R_X$  and  $R_Y$  can be determined by considering the input signal handling requirements.

$$\text{For } V_{X(max)} = V_{Y(max)} = 10 \text{ volts}$$

$$R_X = R_Y > \frac{10 \text{ V}}{1.0 \text{ mA}} = 10 \text{ k}\Omega$$

$$\text{The equation } I_A - I_B = \frac{2V_X V_Y}{R_X R_Y I_3}$$

$$\text{is derived from } I_A - I_B = \frac{2V_X V_Y}{(R_X + \frac{2kT}{qI_{13}})(R_Y + \frac{2kT}{qI_{13}}) I_3}$$

$$\text{with the assumption } R_X \gg \frac{2kT}{qI_{13}} \text{ and } R_Y \gg \frac{2kT}{qI_{13}}$$

$$\text{At } T_A = +25^\circ\text{C and } I_{13} = I_3 = 1 \text{ mA,}$$

$$\frac{2kT}{qI_{13}} = \frac{2kT}{qI_3} = 52 \Omega$$

Therefore, with  $R_X = R_Y = 10 \text{ k}\Omega$  the above assumption is valid. Reference to Figure 19 will indicate limitations of  $V_{X(max)}$  or  $V_{Y(max)}$  due to  $V_1$  and  $V_7$ . Exceeding these limits will cause saturation or "cutoff" of the input transistors. See Step 4 of Section 3 (General Design Procedure) for further details.

### Maximum Output Voltage Swing

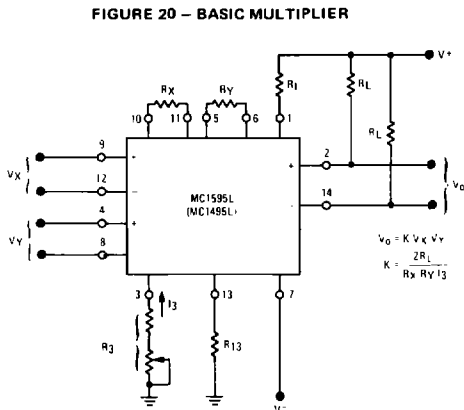
The maximum output voltage swing is dependent upon the factors mentioned below and upon the particular circuit being considered

For Figure 20 the maximum output swing is dependent upon  $V_1$  for positive swing and upon the voltage at pin 1 for negative swing. The potential at pin 1 determines the quiescent level for transistors  $Q_5$ ,  $Q_6$ ,  $Q_7$ , and  $Q_8$ . This potential

# MC1495L, MC1595L

## OPERATION AND APPLICATIONS INFORMATION (continued)

should be related so that negative swing at pins 2 or 14 does not saturate those transistors. See Section 3 for further information regarding selection of these potentials.



If an operational amplifier is used for level shift, as shown in Figure 21, the output swing (of the multiplier) is greatly reduced. See Section 3 for further details.

### GENERAL DESIGN PROCEDURE

Selection of component values is best demonstrated by the following example assume resistive dividers are used at the X and Y inputs to limit the maximum multiplier input to  $\pm 5.0$  volts ( $V_X = V_Y = V_{Y[\max]}$ ) for a  $\pm 10$ -volt input ( $V_X = V_Y = V_{Y[\max]}$ ). (See Figure 21). If an overall scale factor of 1/10 is desired, then

$$V_o = \frac{V_X V_Y}{10} = \frac{(2V_X)(2V_Y)}{10} = 4/10 V_X V_Y$$

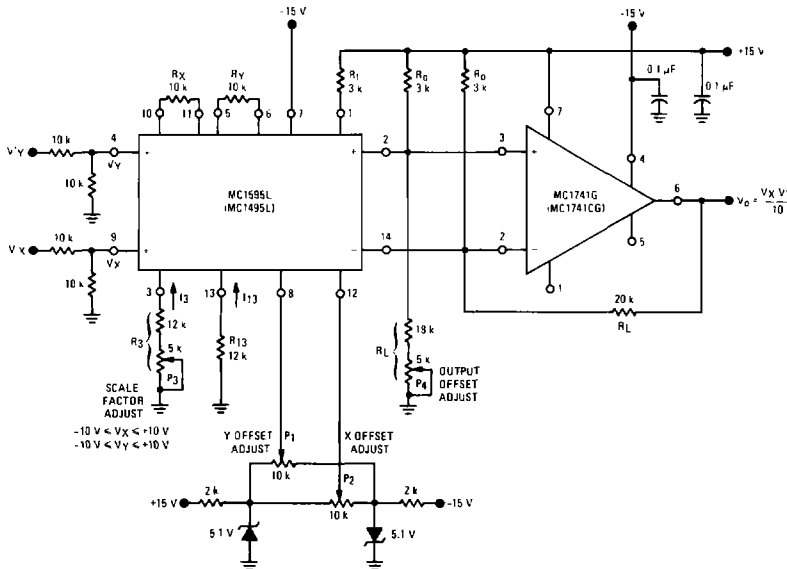
Therefore,  $K = 4/10$  for the multiplier (excluding the divider network).

**Step 1** The first step is to select current  $I_3$  and current  $I_{13}$ . There are no restrictions on the selection of either of these currents except the power dissipation of the device.  $I_3$  and  $I_{13}$  will normally be one or two milliamperes. Further,  $I_3$  does not have to be equal to  $I_{13}$ , and there is normally no need to make them different. For this example, let

$$I_3 = I_{13} = 1 \text{ mA}$$

To set currents  $I_3$  and  $I_{13}$  to the desired value, it is only necessary to connect a resistor between pin 13 and ground, and between pin 3 and ground. From the schematic shown in Figure 3,

**FIGURE 21 – MULTIPLIER WITH OP-AMPL. LEVEL SHIFT**





# MC1495L, MC1595L

## OPERATION AND APPLICATIONS INFORMATION (continued)

it can be seen that the resistor values necessary are given by:

$$R_{13} + 500 \Omega = \frac{|V^-| - 0.7 \text{ V}}{I_{13}}$$

$$R_3 + 500 \Omega = \frac{|V^-| - 0.7 \text{ V}}{I_3}$$

$$\text{Let } V^- = -15 \text{ V}$$

$$\text{Then } R_{13} + 500 = \frac{14.3 \text{ V}}{1 \text{ mA}} \text{ or } R_{13} = 13.8 \text{ k}\Omega$$

$$\text{Let } R_{13} = 12 \text{ k}\Omega$$

$$\text{Similarly, } R_3 = 13.8 \text{ k}\Omega$$

$$\text{Let } R_3 = 15 \text{ k}\Omega$$

However, for applications which require an accurate scale factor, the adjustment of  $R_3$  and consequently,  $I_3$ , offers a convenient method of making a final trim of the scale factor. For this reason, as shown in Figure 21, resistor  $R_3$  is shown as a fixed resistor in series with a potentiometer.

For applications not requiring an exact scale factor (balanced modulator, frequency doubler, AGC amplifier, etc.), pins 3 and 13 can be connected together and a single resistor from pin 3 to ground can be used. In this case, the single resistor would have a value of one-half the above calculated value for  $R_{13}$ .

Step 2. The next step is to select  $R_X$  and  $R_Y$ . To insure that the input transistors will always be active, the following conditions should be met

$$\frac{V_X}{R_X} < I_{13} \quad \frac{V_Y}{R_Y} < I_3$$

A good rule of thumb is to make  $I_3 R_Y \geq 1.5 V_{Y(\max)}$  and  $I_{13} R_X \geq 1.5 V_{X(\max)}$ .

The larger the  $I_3 R_Y$  and  $I_{13} R_X$  product in relation to  $V_Y$  and  $V_X$  respectively, the more accurate the multiplier will be (see Figures 17 and 18)

$$\text{Let } R_X = R_Y = 10 \text{ k}\Omega$$

$$\text{Then } I_3 R_Y = 10 \text{ V}$$

$$I_{13} R_X = 10 \text{ V}$$

since  $V_{X(\max)} = V_{Y(\max)} = 5.0$  volts the value of  $R_X = R_Y = 10 \text{ k}\Omega$  is sufficient

Step 3. Now that  $R_X$ ,  $R_Y$  and  $I_3$  have been chosen,  $R_L$  can be determined

$$K = \frac{2R_L}{R_X R_Y I_3} = \frac{4}{10}$$

$$\text{or } \frac{(2)(R_L)}{(10 \text{ k})(10 \text{ k})(1 \text{ mA})} = \frac{4}{10}$$

$$\text{Thus } R_L = 20 \text{ k}\Omega$$

Step 4. To determine what power supply voltage is necessary for this application, attention must be given to the circuit schematic shown in Figure 3. From the circuit schematic it can be seen that in order to maintain transistors  $Q_1$ ,  $Q_2$ ,  $Q_3$  and  $Q_4$  in an active

region when the maximum input voltages are applied ( $V_X' = V_Y' = 10 \text{ V}$  or  $V_X = 5.0 \text{ V}$ ,  $V_Y = 5.0 \text{ V}$ ), their respective collector voltage should be at least a few tenths of a volt higher than the maximum input voltage. It should also be noticed that the collector voltage of transistors  $Q_3$  and  $Q_4$  are at a potential which is two diode-drops below the voltage at pin 1. Thus, the voltage at pin 1 should be about two volts higher than the maximum input voltage. Therefore, to handle  $+5.0$  volts at the inputs, the voltage at pin 1 must be at least  $+7.0$  volts. Let  $V_1 = 9.0 \text{ Vdc}$ .

Since the current flowing into pin 1 is always equal to  $2I_3$ , the voltage at pin 1 can be set by placing a resistor,  $R_1$  from pin 1 to the positive supply

$$R_1 = \frac{V^+ - V_1}{2I_3}$$

$$\text{Let } V^+ = +15 \text{ V}$$

$$\text{Then } R_1 = \frac{15 \text{ V} - 9 \text{ V}}{(2)(1 \text{ mA})}$$

$$R_1 = 3 \text{ k}\Omega$$

Note that the voltage at the base of transistors  $Q_5$ ,  $Q_6$ ,  $Q_7$  and  $Q_8$  is one diode-drop below the voltage at pin 1. Thus, in order that these transistors stay active, the voltage at pins 2 and 14 should be approximately halfway between the voltage at pin 1 and the positive supply voltage. For this example, the voltage at pins 2 and 14 should be approximately 11 volts

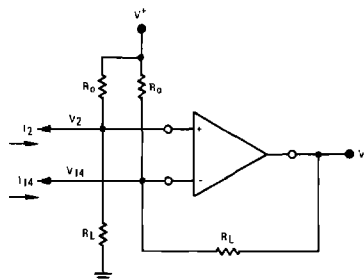
Step 5. For dc applications, such as the multiply, divide and square-root functions, it is usually desirable to convert the differential output to a single-ended output voltage referenced to ground. The circuit shown in Figure 22 performs this function. It can be shown that the output voltage of this circuit is given by

$$V_o = (I_2 - I_{14}) R_L$$

$$\text{And since } I_A - I_B = I_2 - I_{14} = \frac{2I_X I_Y}{I_3} = \frac{2 V_X V_Y}{I_3 R_X R_Y}$$

$$\text{Then } V_o = \frac{2R_L V_X' V_Y'}{4R_X R_Y I_3} \text{ where } V_X' V_Y' \text{ is the voltage at the input to the voltage dividers.}$$

FIGURE 22 - LEVEL SHIFT CIRCUIT



# MC1495L, MC1595L

## OPERATION AND APPLICATIONS INFORMATION (continued)

The choice of an operational amplifier for this application should have low bias currents, low offset current, and a high common-mode input voltage range as well as a high common-mode rejection ratio. The MC1556, and MC1741 operational amplifiers meet these requirements.

Referring to Figure 21, the level shift components will be determined. When  $V_X = V_Y = 0$ , the currents  $I_2$  and  $I_{14}$  will be equal to  $I_{13}$ . In Step 3,  $R_L$  was found to be  $20\text{ k}\Omega$  and in Step 4,  $V_2$  and  $V_{14}$  were found to be approximately 11 volts. From this information,  $R_O$  can be found easily from the following equation (neglecting the operational amplifiers bias current)

$$\frac{V_2}{R_L} + I_{13} = \frac{V^+ - V_2}{R_O}$$

And for this example,  $\frac{11\text{ V}}{20\text{ k}\Omega} + 1\text{ mA} = \frac{15\text{ V} - 11\text{ V}}{R_O}$

Solving for  $R_O$ ,  $R_O = 2.6\text{ k}\Omega$

Thus, select  $R_O = 3.0\text{ k}\Omega$

For  $R_O = 3.0\text{ k}\Omega$ , the voltage at pins 2 and 14 is calculated to be

$$V_2 = V_{14} = 10.4\text{ volts.}$$

The linearity of this circuit (Figure 21) is likely to be as good or better than the circuit of Figure 5. Further improvements are

possible as shown in Figure 23 where  $R_Y$  has been increased substantially to improve the Y linearity, and  $R_X$  decreased somewhat so as not to materially affect the X linearity, this avoids increasing  $R_L$  significantly in order to maintain a K of 0.1

The versatility of the MC1595 (MC1495) allows the user to optimize its performance for various input and output signal levels

### OFFSET AND SCALE FACTOR ADJUSTMENT

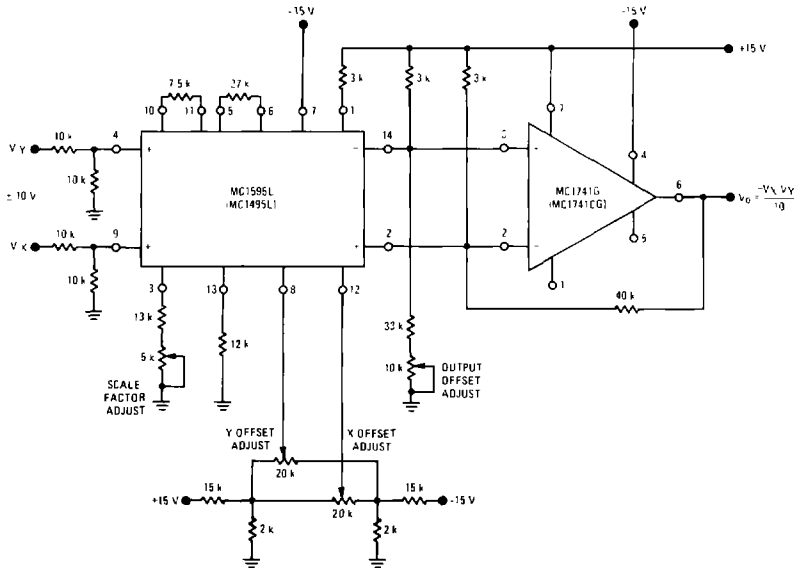
#### Offset Voltages

Within the monolithic multiplier (Figure 3) transistor base-emitter junctions are typically matched within 1 mV and resistors are typically matched within 2%. Even with this careful matching, an output error can occur. This output error is comprised of X-input offset voltage, Y-input offset voltage, and output offset voltage. These errors can be adjusted to zero with the techniques shown in Figure 21. Offset terms can be shown analytically by the transfer function

$$V_O = K(V_X \pm V_{IOX} \pm V_{X\text{ off}})(V_Y \pm V_{IOY} \pm V_{Y\text{ off}}) \pm V_{OO} \quad (1)$$

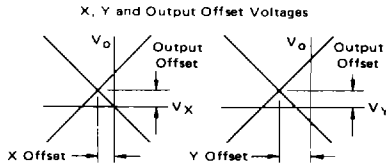
- Where K = scale factor  
 $V_X$  = X input voltage  
 $V_Y$  = Y input voltage  
 $V_{IOX}$  = X input offset voltage  
 $V_{IOY}$  = Y input offset voltage  
 $V_{X\text{ off}}$  = X input offset adjust voltage  
 $V_{Y\text{ off}}$  = Y input offset adjust voltage  
 $V_{OO}$  = output offset voltage.

FIGURE 23 — MULTIPLIER WITH IMPROVED LINEARITY



# MC1495L, MC1595L

## OPERATION AND APPLICATIONS INFORMATION (continued)



For most dc applications, all three offset adjust potentiometers (P<sub>1</sub>, P<sub>2</sub>, P<sub>4</sub>) will be necessary. One or more offset adjust potentiometers can be eliminated for ac applications (See Figures 28, 29, 30, 31)

If well regulated supply voltages are available, the offset adjust circuit of Figure 13 is recommended. Otherwise, the circuit of Figure 14 will greatly reduce the sensitivity to power supply changes.

### Scale Factor

The scale factor, K, is set by P<sub>3</sub> (Figure 21). P<sub>3</sub> varies I<sub>3</sub> which inversely controls the scale factor K. It should be noted that current I<sub>3</sub> is one-half the current through R<sub>1</sub>. R<sub>1</sub> sets the bias level for Q<sub>5</sub>, Q<sub>6</sub>, Q<sub>7</sub>, and Q<sub>8</sub> (See Figure 3). Therefore, to be sure that these devices remain active under all conditions of input and output swing, care should be exercised in adjusting P<sub>3</sub> over wide voltage ranges (see Section 3, General Design Procedure).

### Adjustment Procedures

The following adjustment procedure should be used to null the offsets and set the scale factor for the multiply mode of operation. (See Figure 21)

1. X Input Offset
  - (a) Connect oscillator (1 kHz, 5 Vpp sinewave) to the "X" input (pin 4)
  - (b) Connect "X" input (pin 9) to ground
  - (c) Adjust X offset potentiometer, P<sub>2</sub>, for an ac null at the output
2. Y Input Offset
  - (a) Connect oscillator (1 kHz, 5 Vpp sinewave) to the "X" input (pin 9)
  - (b) Connect "Y" input (pin 4) to ground
  - (c) Adjust "Y" offset potentiometer, P<sub>1</sub>, for an ac null at the output
3. Output Offset
  - (a) Connect both "X" and "Y" inputs to ground
  - (b) Adjust output offset potentiometer, P<sub>4</sub>, until the output voltage V<sub>O</sub> is zero volts dc
4. Scale Factor
  - (a) Apply +10 Vdc to both the "X" and "Y" inputs
  - (b) Adjust P<sub>3</sub> to achieve +10.00 V at the output
5. Repeat steps 1 through 4 as necessary.

The ability to accurately adjust the MC1595 (MC1495) depends upon the characteristics of potentiometers P<sub>1</sub> through P<sub>4</sub>. Multi-turn, infinite resolution potentiometers with low-temperature coefficients are recommended.

## DC APPLICATIONS

### Multiply

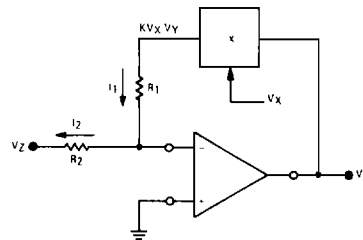
The circuit shown in Figure 21 may be used to multiply signals from dc to 100 kHz. Input levels to the actual multiplier are 5.0 V (max). With resistive voltage dividers the maximum could be very large — however, for this application two-to-one dividers have been used so that the maximum input level is 10 V. The maximum output level has also been designed for 10 V (max).

### Squaring Circuit

If the two inputs are tied together, the resultant function is squaring, that is V<sub>O</sub> = KV<sup>2</sup> where K is the scale factor. Note that all error terms can be eliminated with only three adjustment potentiometers, thus eliminating one of the input offset adjustments. Procedures for nulling with adjustments are given as follows:

1. AC Procedure
  - (a) Connect oscillator (1 kHz, 15 Vpp) to input
  - (b) Monitor output at 2 kHz with tuned voltmeter and adjust P<sub>3</sub> for desired gain (be sure to peak response of the voltmeter)
  - (c) Tune voltmeter to 1 kHz and adjust P<sub>1</sub> for a minimum output voltage
  - (d) Ground input and adjust P<sub>4</sub> (output offset) for zero volts dc output
  - (e) Repeat steps a through d as necessary
2. DC Procedure
  - (a) Set V<sub>X</sub> = V<sub>Y</sub> = 0 V and adjust P<sub>4</sub> (output offset potentiometer) such that V<sub>O</sub> = 0.0 Vdc
  - (b) Set V<sub>X</sub> = V<sub>Y</sub> = 1.0 V and adjust P<sub>1</sub> (Y input offset potentiometer) such that the output voltage is +0.100 volts
  - (c) Set V<sub>X</sub> = V<sub>Y</sub> = 10 Vdc and adjust P<sub>3</sub> such that the output voltage is +10.00 volts
  - (d) Set V<sub>X</sub> = V<sub>Y</sub> = -10 Vdc. Repeat steps a through d as necessary

FIGURE 24 — BASIC DIVIDE CIRCUIT



### Divide Circuit

Consider the circuit shown in Figure 24 in which the multiplier is placed in the feedback path of an operational amplifier. For this configuration, the operational amplifier will maintain a "virtual ground" at the inverting (-) input. Assuming that the bias current of the operational amplifier is negligible, then I<sub>1</sub> = I<sub>2</sub> and

$$\frac{KV_X V_Y}{R_1} = \frac{-V_Z}{R_2} \quad (1)$$

Solving for V<sub>Y</sub>,

$$V_Y = \frac{-R_1 V_Z}{R_2 K V_X} \quad (2)$$

If R<sub>1</sub> = R<sub>2</sub>

$$V_Y = \frac{-V_Z}{KV_X} \quad (3)$$

If R<sub>1</sub> = KR<sub>2</sub>

$$V_Y = \frac{-V_Z}{V_X} \quad (4)$$

# MC1495L, MC1595L

## OPERATION AND APPLICATIONS INFORMATION (continued)

Hence, the output voltage is the ratio of  $V_Z$  to  $V_X$  and provides a divide function. This analysis is, of course, the ideal condition. If the multiplier error is taken into account, the output voltage is found to be

$$V_Y = - \left[ \frac{R_1}{R_2 K} \right] \frac{V_Z}{V_X} + \frac{\cdot E}{K V_X} \quad (5)$$

where  $\cdot E$  is the error voltage at the output of the multiplier. From this equation, it is seen that divide accuracy is strongly dependent upon the accuracy at which the multiplier can be set, particularly at small values of  $V_Y$ . For example, assume that  $R_1 = R_2$ , and  $K = 1/10$ . For these conditions the output of the divide circuit is given by

$$V_Y = \frac{-10 V_Z}{V_X} + \frac{10 \cdot E}{V_X} \quad (6)$$

From equation 6, it is seen that only when  $V_X = 10 V$  is the error voltage of the divide circuit as low as the error of the multiply circuit. For example, when  $V_X$  is small, (0.1 volt) the error voltage of the divide circuit can be expected to be a hundred times the error of the basic multiplier circuit.

In terms of percentage error,

$$\text{percentage error} = \frac{\text{error}}{\text{actual}} \times 100\%$$

or from equation (5),

$$\text{P.E.D} = \frac{\frac{E}{K V_X}}{\left[ \frac{R_1}{R_2 K} \right] \frac{V_Z}{V_X}} = \left[ \frac{R_2}{R_1} \right] \frac{E}{V_Z} \quad (7)$$

From equation 7, the percentage error is inversely related to voltage  $V_Z$  (i.e., for increasing values of  $V_Z$ , the percentage error decreases).

A circuit that performs the divide function is shown in Figure 25.

Two things should be emphasized concerning Figure 25.

- 1 The input voltage ( $V_X$ ) must be greater than zero and must be positive. This insures that the current out of pin 2 of the multiplier will always be in a direction compatible with the polarity of  $V_Z$ .
- 2 Pins 2 and 14 of the multiplier have been interchanged in respect to the operational amplifiers input terminals. In this instance, Figure 25 differs from the circuit connection shown in Figure 21, necessitated to insure negative feedback around the loop.

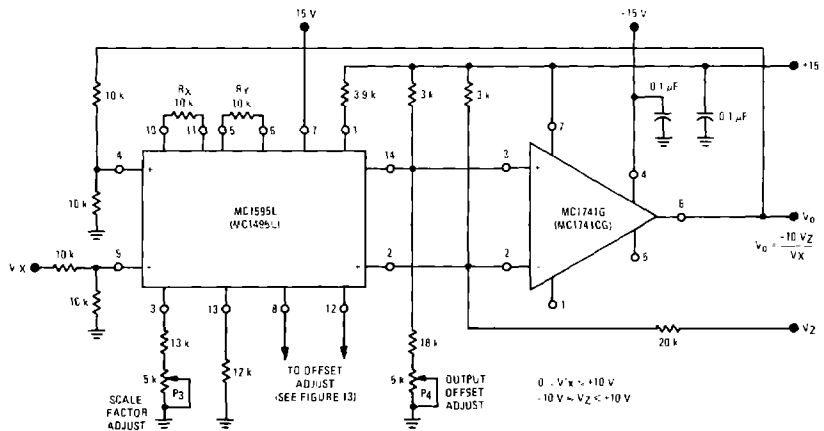
A Suggested Adjustment Procedure for the Divide Circuit

1. Set  $V_Z = 0$  volts and adjust the output offset potentiometer ( $P_4$ ) until the output voltage ( $V_O$ ) remains at some (not necessarily zero) constant value as  $V_X$  is varied between +1.0 volt and +10 volts.
2. Keep  $V_Z$  at 0 volts, set  $V_X$  at +10 volts and adjust the Y input offset potentiometer ( $P_1$ ) until  $V_O = 0$  volts.
3. Let  $V_X = V_Z$  and adjust the X input offset potentiometer ( $P_2$ ) until the output voltage remains at some (not necessarily -10 volts) constant value as  $V_Z = V_X$  is varied between +1.0 and +10 volts.
4. Keep  $V_X = V_Z$  and adjust the scale factor potentiometer ( $P_3$ ) until the average value of  $V_O$  is -10 volts as  $V_Z = V_X$  is varied between +1.0 volt and +10 volts.
5. Repeat steps 1 through 4 as necessary to achieve optimum performance.

### Square Root

A special case of the divide circuit in which the two inputs to the multiplier are connected together is the square root function.

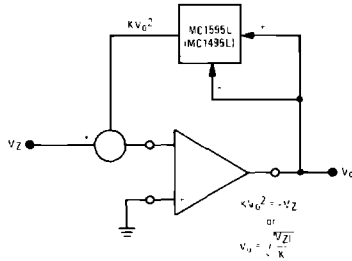
FIGURE 25 - DIVIDE CIRCUIT



# MC1495L, MC1595L

## OPERATION AND APPLICATIONS INFORMATION (continued)

FIGURE 26 – BASIC SQUARE ROOT CIRCUIT



as indicated in Figure 26. This circuit may suffer from latch-up problems similar to those of the divide circuit. Note that only one polarity of input is allowed and diode clamping (see Figure 27) protects against accidental latch-up.

This circuit also may be adjusted in the closed-loop mode as follows:

1. Set  $V_Z$  to  $-0.01$  volts and adjust  $P_4$  (output offset) for  $V_O = +0.316$  volts, being careful to approach the output from the positive side to preclude the effect of the output diode clamping.
2. Set  $V_Z$  to  $-0.9$  volts and adjust  $P_2$  ( $X$  adjust) for  $V_O = +3.0$  volts.
3. Set  $V_Z$  to  $-10$  volts and adjust  $P_3$  (scale factor adjust) for  $V_O = +10$  volts.
4. Steps 1 through 3 may be repeated as necessary to achieve desired accuracy.

## AC APPLICATIONS

The applications that follow demonstrate the versatility of the monolithic multiplier. If a potted multiplier is used for these cases, the results generally would not be as good because the potted units have circuits that, although they optimize dc multiplication operation, can hinder ac applications.

Frequency doubling often is done with a diode where the fundamental plus a series of harmonics are generated. However, extensive filtering is required to obtain the desired harmonic, and the second harmonic obtained under this technique usually is small in magnitude and requires amplification.

When a multiplier is used to double frequency the second harmonic is obtained directly, except for a dc term, which can be removed with ac coupling.

$$e = KE^2 \cos^2 \omega t$$

$$e = \frac{KE^2}{2} (1 + \cos 2\omega t)$$

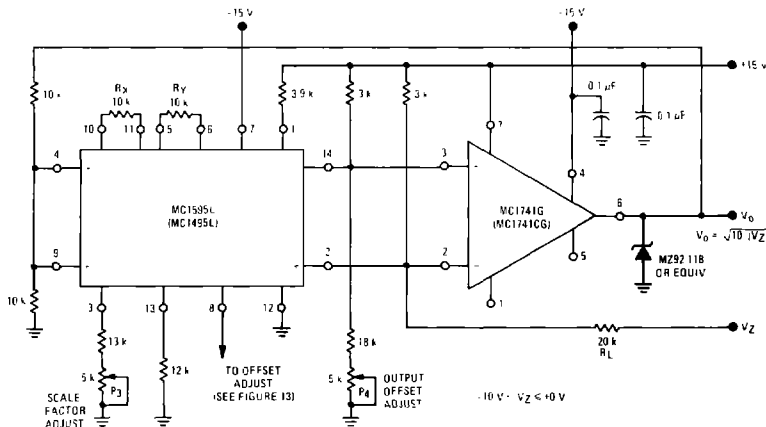
A potted multiplier can be used to obtain the double frequency component, but frequency would be limited by its internal level-shift amplifier. In the monolithic units, the amplifier is omitted.

In a typical doubler circuit, conventional  $\pm 15$ -volt supplies are used. An input dynamic range of 5.0 volts peak-to-peak is allowed. The circuit generates wave-forms that are double frequency, less than 1% distortion is encountered without filtering. The configuration has been successfully used in excess of 200 kHz, reducing the scale factor by decreasing the load resistors can further expand the bandwidth.

A slightly modified version of the MC1595 (MC1495) – the MC1596 (MC1496) – has been successfully used as a doubler to obtain 400 MHz. (See Figure 28.)

Figure 29 represents an application for the monolithic multiplier as a balanced modulator. Here, the audio input signal is 1.6 kHz and the carrier is 40 kHz.

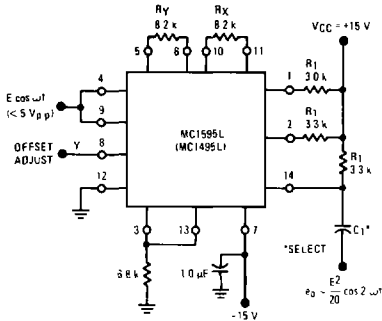
FIGURE 27 – SQUARE ROOT CIRCUIT



# MC1495L, MC1595L

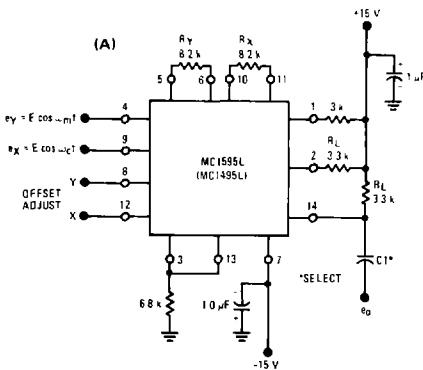
## OPERATION AND APPLICATIONS INFORMATION (continued)

**FIGURE 28 — FREQUENCY DOUBLER**



When two equal cosine waves are applied to X and Y the result is a wave whose frequency is twice the input frequency. For this example the input was a 10 kHz signal, output was 20 kHz.

**FIGURE 29 — BALANCED MODULATOR**



(B)



The defining equation for balanced modulation is

$$K E_m \cos \omega_m t (E_c \cos \omega_c t) =$$

$$\frac{K E_c E_m}{2} [\cos (\omega_c + \omega_m) t + \cos (\omega_c - \omega_m) t]$$

where  $\omega_c$  is the carrier frequency,  $\omega_m$  is the modulator frequency and K is the multiplier gain constant.

AC coupling at the output eliminates the need for level translation or an operational amplifier, a higher operating frequency results.

A problem common to communications is to extract the intelligence from single-sideband received signal. The ssb signal is of the form

$$e_{ssb} = A \cos (\omega_c + \omega_m) t$$

and if multiplied by the appropriate carrier waveform,  $\cos \omega_c t$ ,

$$e_{ssb} e_{carrier} = \frac{AK}{2} [\cos (2\omega_c + \omega_m) t + \cos (\omega_c) t].$$

If the frequency of the band-limited carrier signal,  $\omega_c$ , is ascertained in advance the designer can insert a low-pass filter and obtain the  $(AK/2) (\cos \omega_c t)$  term with ease. He also can use an operational amplifier for a combination level shift-active filter, as an external component. But in potted multipliers, even if the frequency range can be covered, the operational amplifier is inside and not accessible, so the user must accept the level shifting provided, and still add a low-pass filter.

### Amplitude Modulation

The multiplier performs amplitude modulation, similar to balanced modulation, when a dc term is added to the modulating signal with the Y offset adjust potentiometer. (See Figure 30.)

Here, the identity is

$$E_m (1 + m \cos \omega_m t) E_c \cos \omega_c t = K E_m E_c \cos \omega_c t +$$

$$\frac{K E_m E_c m}{2} [\cos (\omega_c + \omega_m) t + \cos (\omega_c - \omega_m) t]$$

where m indicates the degree of modulation. Since m is adjustable, via potentiometer P1, 100% modulation is possible. Without extensive tweaking, 96% modulation may be obtained where  $\omega_c$  and  $\omega_m$  are the same as in the balanced-modulator example.

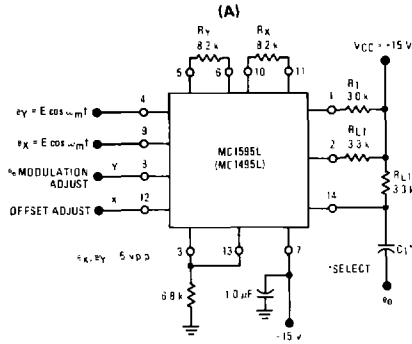
### Linear Gain Control

To obtain linear gain control, the designer can feed to one of the two MC1595 (MC1495) inputs a signal that will vary the unit's gain. The following example demonstrates the feasibility of this application. Suppose a 200 kHz sine wave, 1.0 volt peak-to-peak, is the signal to which a gain control will be added. The dynamic range of the control voltage  $V_C$  is 0 to +1.0 volt. These must be ascertained and the proper values of  $R_X$  and  $R_Y$  can be selected for optimum performance. For the 200-kHz operating frequency, load resistors of 100 ohms were chosen to broaden the operating bandwidth of the multiplier, but gain was sacrificed. It may be made up with an amplifier operating at the appropriate frequency. (See Figure 31.)

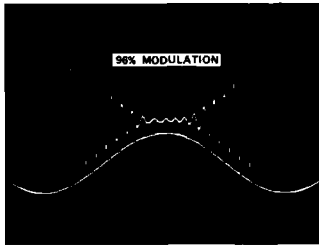
# MC1495L, MC1595L

## OPERATION AND APPLICATIONS INFORMATION (continued)

FIGURE 30 — AMPLITUDE MODULATION



(B)



The signal is applied to the unit's Y input. Since the total input range is limited to 1.0 volt p-p, a 2.0-volt swing, a current source of 2.0 mA and an  $R_Y$  value of 1.0 kilohm is chosen. This takes best advantage of the dynamic range and insures linear operation in the Y-channel.

Since the X input varies between 0 and +1.0 volt, the current source selected was 1.0 mA and the  $R_X$  value chosen was 2.0 kilohms. This also insures linear operation over the X input dynamic range.

Choosing  $R_L = 100$  assures wide-bandwidth operation. Hence, the scale factor for this configuration is

$$K = \frac{R_L}{R_X R_Y I_3} = \frac{100}{(2 \text{ k})(1 \text{ k})(2 \times 10^{-3})} \text{ V}^{-1} = \frac{1}{40} \text{ V}^{-1}$$

The 2 in the numerator of the equation is missing in this scale-factor expression because the output is single-ended and ac coupled.