

Features

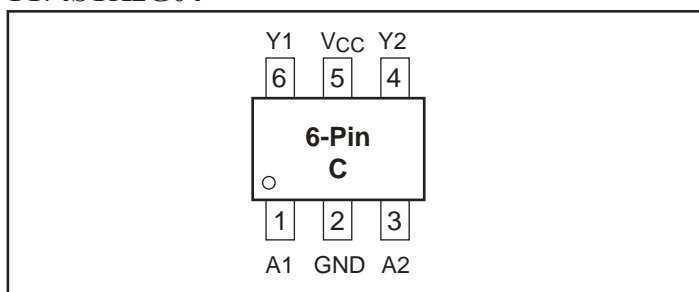
- High-Speed: $t_{pD} = 2.6\text{ns}$ typical into 50pF @ $5\text{V } V_{CC}$
- Broad Operating Range: $V_{CC} = 1.65\text{V} - 5.5\text{V}$
- Power down high-impedance inputs/outputs
- High Output Drive: $\pm 24\text{mA}$ at $3\text{V } V_{CC}$
- Package: 6-pin space saving SC70 (C)

Description

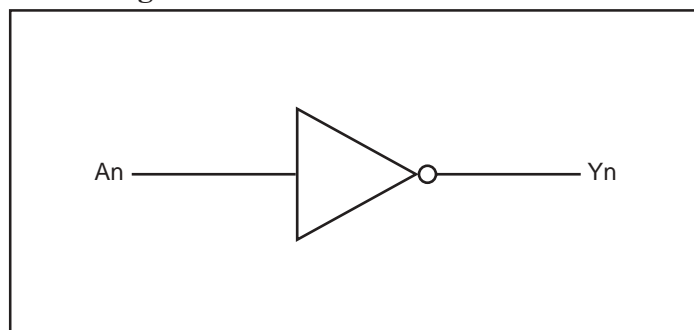
The PI74STX2G04 is a dual inverter that operates over the 1.65V to $5.5\text{V } V_{CC}$ operating range.

Pericom's PI74STX series of products are produced using the Company's advanced submicron technology.

PI74STX2G04



Block Diagram



Pin Description

| Pin Names | Description |
|-----------|-------------|
| A_n | Inputs |
| Y_n | Outputs |

Function Table

| Inputs | Output |
|----------|----------|
| A | Y |
| L | H |
| H | L |

Note:

H = HIGH Logic Level
L = LOW Logic Level

Recommended Operating Conditions⁽¹⁾

| Parameter | Condition | Min. | Max. | Units |
|---|---|------|----------|-------|
| Supply Voltage (V_{CC}) | | 1.65 | 5.5 | V |
| Input Voltage (V_{IN}) | | 0 | 5.5 | |
| Output Voltage (V_{OUT}) | | 0 | V_{CC} | |
| Operating Temperature | | -40 | 85 | °C |
| Input Rise and Fall Time (t_r, t_f) | $V_{CC} = 1.8\text{V}, 2.5\text{V} \pm 0.2\text{V}$ | 0 | 20 | ns/V |
| | $V_{CC} = 3.3\text{V}, \pm 0.3\text{V}$ | 0 | 10 | |
| | $V_{CC} = 5.0\text{V}, \pm 0.5\text{V}$ | 0 | 5 | |

Note:

1. Unused inputs must be held HIGH or LOW. They may not float.

Absolute Maximum Ratings

| | | | |
|---|------------------------|--|-----------------|
| Supply Voltage (V_{CC}) | -0.5V to +7V | DC Output Diode Current (I_{OK}) | -50mA to 20mA |
| DC Input Voltage ($V_{IN}^{(1)}$) | -0.5V to +7V | DC Output Current (I_{OUT}) | ±50mA |
| Voltage Range Applied to Any Output in the Power-Off State, $V_{OUT}^{(1)}$ | -0.5V to +7V | DC V_{CC}/GND Current (I_{CC}/I_{GND}) | ±100mA |
| Voltage Range Applied to Any Output in the High or Low State, $V_{OUT}^{(1)}$ | -0.5V to $V_{CC}+0.5V$ | Storage Temperature (T_{STG}) | -65°C to +150°C |
| DC Input Diode Current (I_{IK}) | -50mA to 20mA | Junction Lead Temperature (I_{OS}) | 260°C |
| | | Power Dissipation SC70 | 150mW |

Note:

Absolute maximum ratings are DC values beyond which the device may be damaged or have its useful life impaired. The datasheet specifications should be met, without exception, to ensure that the system design is reliable over its power supply, temperature, and output/input loading variables. Pericom does not recommend operation outside datasheet specifications.

1. The input negative voltage and output voltage ratings may be exceeded if the input and output current ratings are observed.

DC Electrical Characteristics (Over supply voltage and operating temperature ranges, unless otherwise specified)

| Symbol | Parameter | V_{CC} (V) | Conditions | | $T_A = +25^\circ\text{C}$ | | | $T_A = -40 \text{ to } +85^\circ\text{C}$ | | Units |
|-----------|---------------------------|----------------------------------|--------------------------------|--|------------------------------|------|------------------------------|---|------|-------|
| | | | | | Min. | Typ. | Max. | Min. | Max. | |
| V_{IH} | HIGH Level Input Voltage | 1.65-1.95 2.3-5.5 | | | $0.75V_{CC}$ $0.70V_{CC}$ | | | $0.75V_{CC}$ $0.70V_{CC}$ | | V |
| V_{IL} | LOW Level Input Voltage | 1.65-1.95 2.3-5.5 | | | | | $0.25V_{CC}$ $0.30V_{CC}$ | $0.25V_{CC}$ $0.30V_{CC}$ | | |
| V_{OH} | HIGH Level Output Voltage | 1.65 1.8 2.3 3.0 4.5 | $V_{IN} = V_{IL}$ | $I_{OH} = -100\mu\text{A}$ | 1.55 | 1.65 | | 1.55 | | |
| | | | | | 1.7 | 1.8 | | 1.7 | | |
| | | | | | 2.2 | 2.3 | | 2.2 | | |
| | | | | | 2.9 | 3.0 | | 2.9 | | |
| | | | | | 4.4 | 4.5 | | 4.4 | | |
| | | | | | | | | | | |
| V_{OL} | LOW Level Output Voltage | 1.65 1.8 2.3 3.0 4.5 | $V_{IN} = V_{IH}$ | $I_{OL} = 100\mu\text{A}$ | | 0.0 | 0.1 | | 0.1 | |
| | | | | | | 0.0 | 0.1 | | 0.1 | |
| | | | | | | 0.0 | 0.1 | | 0.1 | |
| | | | | | | 0.0 | 0.1 | | 0.1 | |
| | | | | | | 0.0 | 0.1 | | 0.1 | |
| | | | | | | 0.0 | 0.1 | | 0.1 | |
| V_{OL} | LOW Level Output Voltage | 1.65 2.3 3.0 3.0 4.5 | | $I_{OL} = 4\text{mA}$ $I_{OL} = 8\text{mA}$ $I_{OL} = 16\text{mA}$ $I_{OL} = 24\text{mA}$ $I_{OL} = 32\text{mA}$ | | 0.06 | 0.24 | | 0.24 | |
| | | | | | | 0.09 | 0.3 | | 0.3 | |
| | | | | | | 0.16 | 0.4 | | 0.4 | |
| | | | | | | 0.24 | 0.55 | | 0.55 | |
| | | | | | | 0.27 | 0.55 | | 0.55 | |
| | | | | | | | | | | |
| I_{IN} | Input Leakage Current | 0-5.5 | $0 \leq V_{IN} \leq 5.5V, GND$ | | | | ±0.1 | | ±1.0 | µA |
| I_{OFF} | Power Off Leakage Current | 0.0 | V_{IN} or $V_{OUT} = 5.5V$ | | | | ±1.0 | | ±10 | |
| I_{CC} | Quiescent Supply Current | 1.65-5.5 | $V_{IN} = 5.5V, GND$ | | | | ±2.0 | | ±20 | |

AC Electrical Characteristics

| Symbol | Parameter | V _{CC} (V) | Conditions | T _A = +25°C | | | T _A = -40°C to +85°C | | Units | Fig. No. |
|--|--|---|---|---------------------------------|----------|---------------------------------|---------------------------------|----------------------------------|-------|----------|
| | | | | Min. | Typ. | Max. | Min. | Max. | | |
| t _{PLH} , t _{PHL} | Propagation Delay | 1.65 1.8 2.5 ±0.2 3.3 ±0.3 5.0 ±0.5 | C _L = 15pF, R _L = 1M ohm | 1.8 1.8 1.2 0.8 0.5 | | 9.2 7.6 5.1 3.4 2.8 | 1.8 1.8 1.2 0.8 0.5 | 11.0 8.4 5.6 3.8 3.1 | ns | 1 3 |
| t _{PLH} , t _{PHL} | Propagation Delay | 3.3 ±0.3 5.0 ±0.5 | C _L = 50pF, R _L = 500 ohms | 1.2 0.8 | | 4.5 3.6 | 1.2 0.8 | 5.0 4.0 | | 1 3 |
| C _{IN} | Input Capacitance | 0 | | | 2.5 | | | | | |
| C _{PD} | Power Dissipation Capacitance ⁽³⁾ | 3.3 5.0 | | | 15 19 | | | | pF | 2 |

Notes:

3. C_{PD} is defined as the value of the internal equivalent capacitance which is derived from dynamic operating current consumption (I_{CCD}) at no output loading and operating at 50% duty cycle (see Figure 2). C_{PD} is related to I_{CCD} dynamic operating current by the expression: I_{CCD} = (C_{PD})(V_{CC})(f_{IN}) + (I_{CC} static).

AC Loading and Waveforms

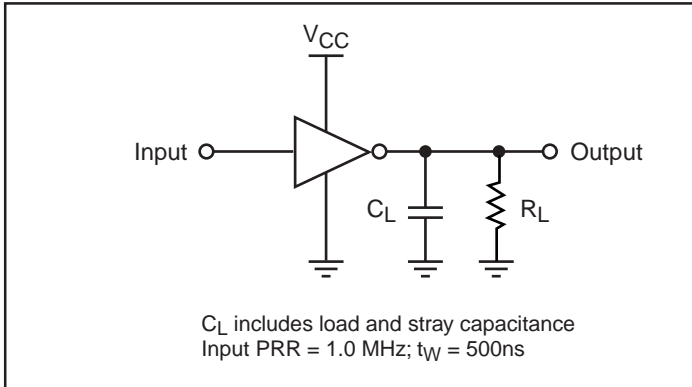


Figure 1. AC Test Circuit

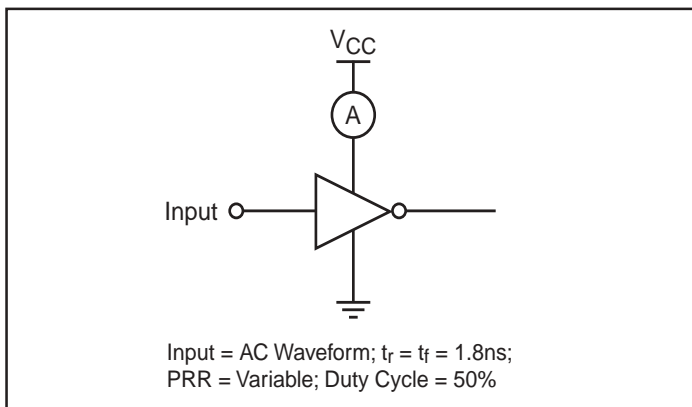


Figure 2. I_{CCD} Test Circuit

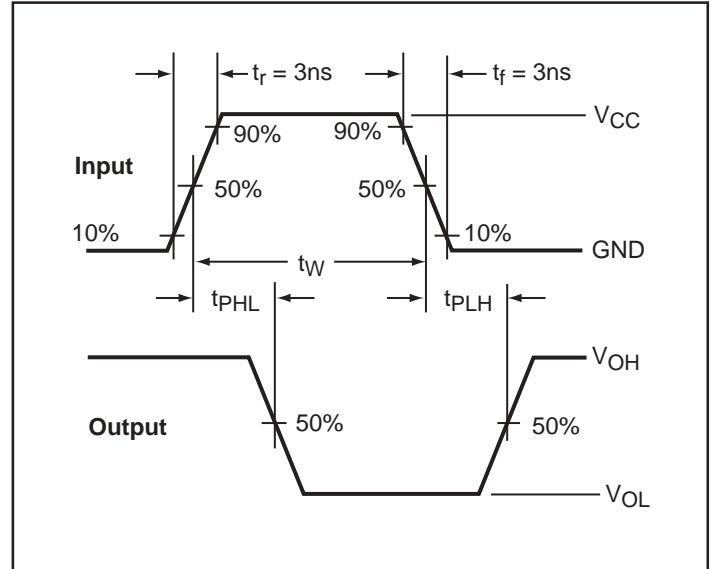
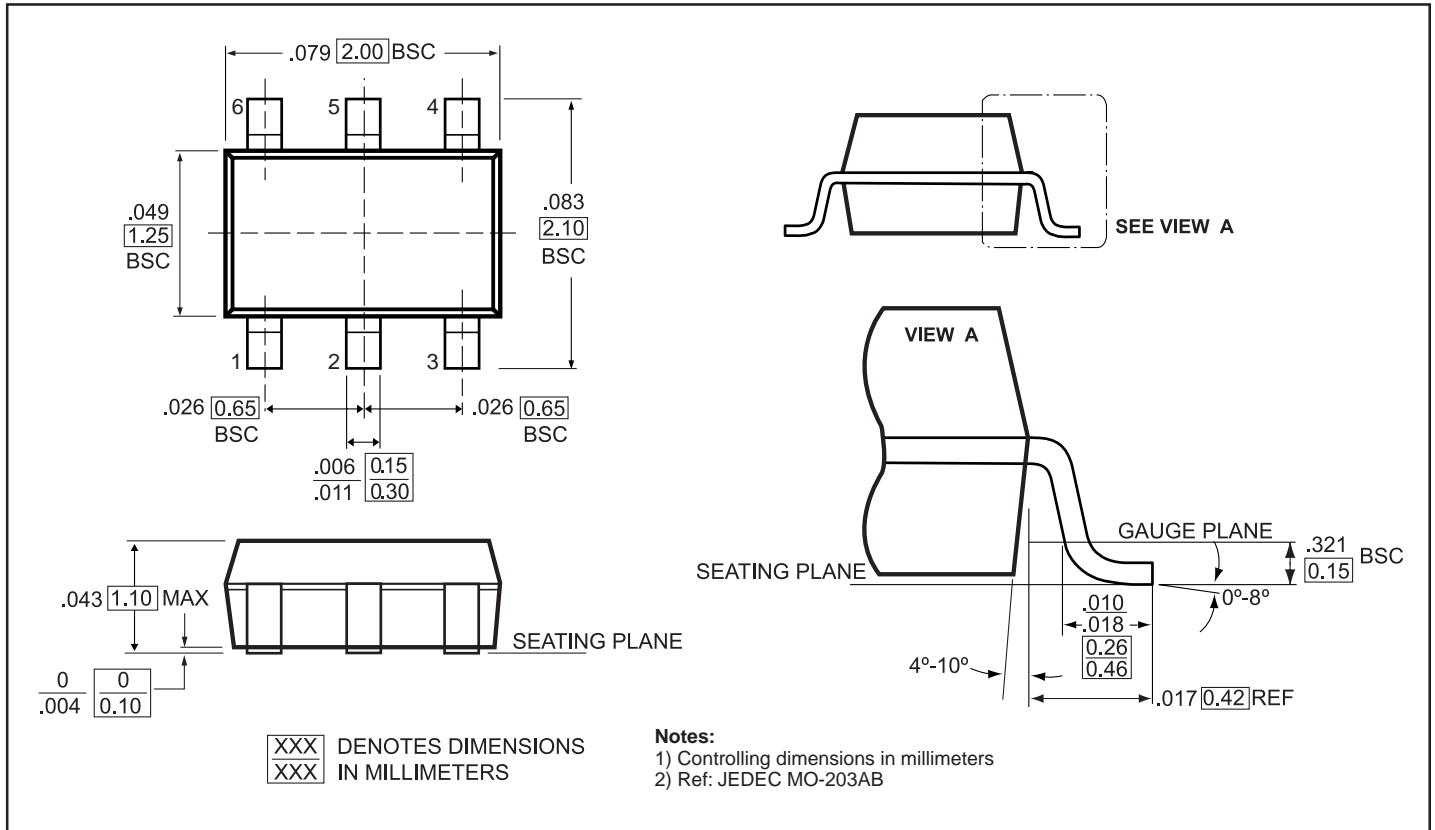


Figure 3. AC Waveforms

Packaging Mechanical: 6-Pin SC70 (C)



Ordering Information

| Part | Pin-Package | Top Marking | Operating Range |
|---------------|--------------|-------------|-----------------|
| PI74STX2G04CX | 6-Pin - SC70 | MM4 | -40°C to 85°C |