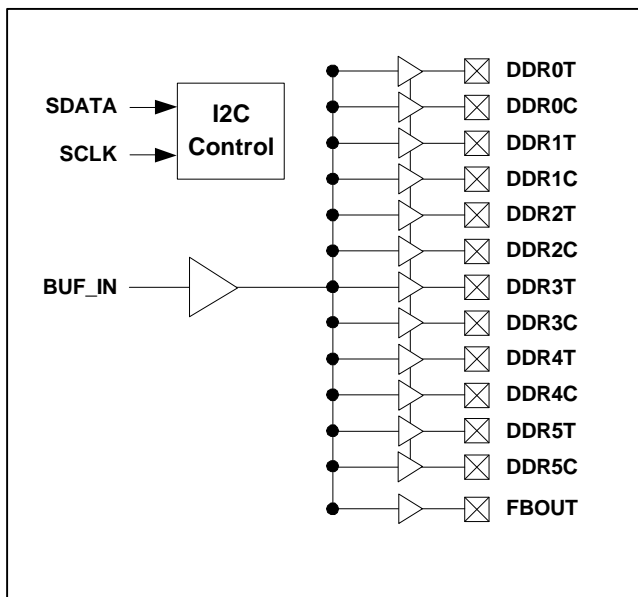


2 DIMM DDR Fanout Buffer

FEATURES

- Generates 12-output buffers from one input.
- Supports VIA Pro266 DDR chipset.
- Supports up to 2 DDR DIMMS.
- Supports up to 400MHz DDR, SDRAMs.
- One additional output for feedback.
- 6 differential clock distribution.
- Less than 5ns delay.
- Skew between any outputs is less than 100 ps.
- 2.5V Supply range.
- Available in 28-pin SSOP.

BLOCK DIAGRAM



PIN CONFIGURATION

FBOU	□ 1	28	□ GND
GND	□ 2	27	□ DDRT5
DDRT0	□ 3	26	□ DDRC5
DDRC0	□ 4	25	□ VDD2.5
VDD2.5	□ 5	24	□ GND
GND	□ 6	23	□ DDRT4
DDRT1	□ 7	22	□ DDRC4
DDRC1	□ 8	21	□ VDD2.5
VDD2.5	□ 9	20	□ GND
BUF_IN	□ 10	19	□ DDRT3
GND	□ 11	18	□ DDRC3
DDRT2	□ 12	17	□ VDD2.5
DDRC2	□ 13	16	□ SCLK
VDD2.5	□ 14	15	□ SDATA

Note: #: Active Low

DESCRIPTIONS

The PLL103-07 is designed as a 2.5V buffer to distribute high-speed clocks in PC applications. The device has 12 outputs. These outputs can be configured to support 2 DDR DIMMs. The PLL103-07 can be used in conjunction with the PLL202-04 or similar clock synthesizer for the VIA Pro 266 chipset.

2 DIMM DDR Fanout Buffer

PIN DESCRIPTIONS

Name	Number	Type	Description
FBOUT	1	O	Feedback clock for chipset.
BUF_IN	10	I	Reference input from chipset.
DDRT[0:5]	3,7,12,19, 23,27	O	True clocks of differential pair outputs.
DDRC[0:5]	4,8,13,18, 22,26	O	Complementary clocks of differential pair outputs.
VDD2.5	5,9,14, 17,21,25	P	2.5V power supply.
GND	6,11,20,24	P	Ground.

2 DIMM DDR Fanout Buffer

I2C BUS CONFIGURATION SETTING

Address Assignment	A6	A5	A4	A3	A2	A1	A0	R/W
	1	1	0	1	0	0	1	-
Slave Receiver/Transmitter	Provides both slave write and readback functionality							
Data Transfer Rate	Standard mode at 100kbits/s							
Data Protocol	<p>This serial protocol is designed to allow both blocks write and read from the controller. The bytes must be accessed in sequential order from lowest to highest byte. Each byte transferred must be followed by 1 acknowledge bit. A byte transferred without acknowledged bit will terminate the transfer. The write or read block both begins with the master sending a slave address and a write condition (0xD2) or a read condition (0xD3).</p> <p>Following the acknowledge of this address byte, in Write Mode: the Command Byte and Byte Count Byte must be sent by the master but ignored by the slave, in Read Mode: the Byte Count Byte will be read by the master then all other Data Byte. Byte Count Byte default at power-up is = (0x09).</p>							

I2C CONTROL REGISTERS

1. BYTE 6: Outputs Register (1=Enable, 0=Disable)

Bit	Pin#	Default	Description
Bit 7	-	1	Reserved
Bit 6	-	0	Reserved
Bit 5	-	0	Reserved
Bit 4	-	0	Reserved
Bit 3	-	1	Reserved
Bit 2	27, 26	1	DDRT5, DDRC5
Bit 1	23, 22	1	DDRT4, DDRC4
Bit 0	19, 18	1	DDRT3, DDRC3

2 DIMM DDR Fanout Buffer

2. BYTE 7: Outputs Register (1=Enable, 0=Disable)

Bit	Pin#	Default	Description
Bit 7	-	1	Reserved
Bit 6	-	1	Reserved
Bit 5	-	1	Reserved
Bit 4	12, 13	1	DDRT2, DDRC2
Bit 3	-	1	Reserved
Bit 2	7, 8	1	DDRT1, DDRC1
Bit 1	-	1	Reserved
Bit 0	3, 4	1	DDRT0, DDRC0

2 DIMM DDR Fanout Buffer

ELECTRICAL SPECIFICATIONS

1. Absolute Maximum Ratings

PARAMETERS	SYMBOL	MIN.	MAX.	UNITS
Supply Voltage	V _{DD}	V _{SS} -0.5	7.0	V
Input Voltage, dc	V _I	V _{SS} -0.5	V _{DD} +0.5	V
Output Voltage, dc	V _O	V _{SS} -0.5	V _{DD} +0.5	V
Storage Temperature	T _S	-65	150	°C
Ambient Operating Temperature	T _A	0	70	°C
ESD Voltage			2	KV

Exposure of the device under conditions beyond the limits specified by Maximum Ratings for extended periods may cause permanent damage to the device and affect product reliability. These conditions represent a stress rating only, and functional operations of the device at these or any other conditions above the operational limits noted in this specification is not implied.

2. Operating Conditions

PARAMETERS	SYMBOL	MIN.	MAX.	UNITS
Supply Voltage	V _{DD2.5}	2.375	2.625	V
Input Capacitance	C _{IN}		5	pF
Output Capacitance	C _{OUT}		6	pF

3. Electrical Specifications

PARAMETERS	SYMBOL	CONDITIONS	MIN.	TYP.	MAX.	UNITS
Input High Voltage	V _{IH}	All Inputs except I2C	2.0		V _{DD} +0.3	V
Input Low Voltage	V _{IL}	All inputs except I2C	V _{SS} -0.3		0.8	V
Input High Current	I _{IH}	V _{IN} = V _{DD}			TBM	µA
Input Low Current	I _{IL}	V _{IN} = 0			TBM	µA
Output High Voltage	V _{OH}	I _{OL} = -12mA, V _{DD} = 2.375V	1.7			V
Output Low Voltage	V _{OL}	I _{OL} = 12mA, V _{DD} = 2.375V			0.6	V
Output High Current	I _{OH}	V _{DD} = 2.375V, V _{OUT} =1V	-18	-32		mA
Output Low Current	I _{OL}	V _{DD} = 2.375V, V _{OUT} =1.2V	26	35		mA

Note: TBM: To be measured

2 DIMM DDR Fanout Buffer

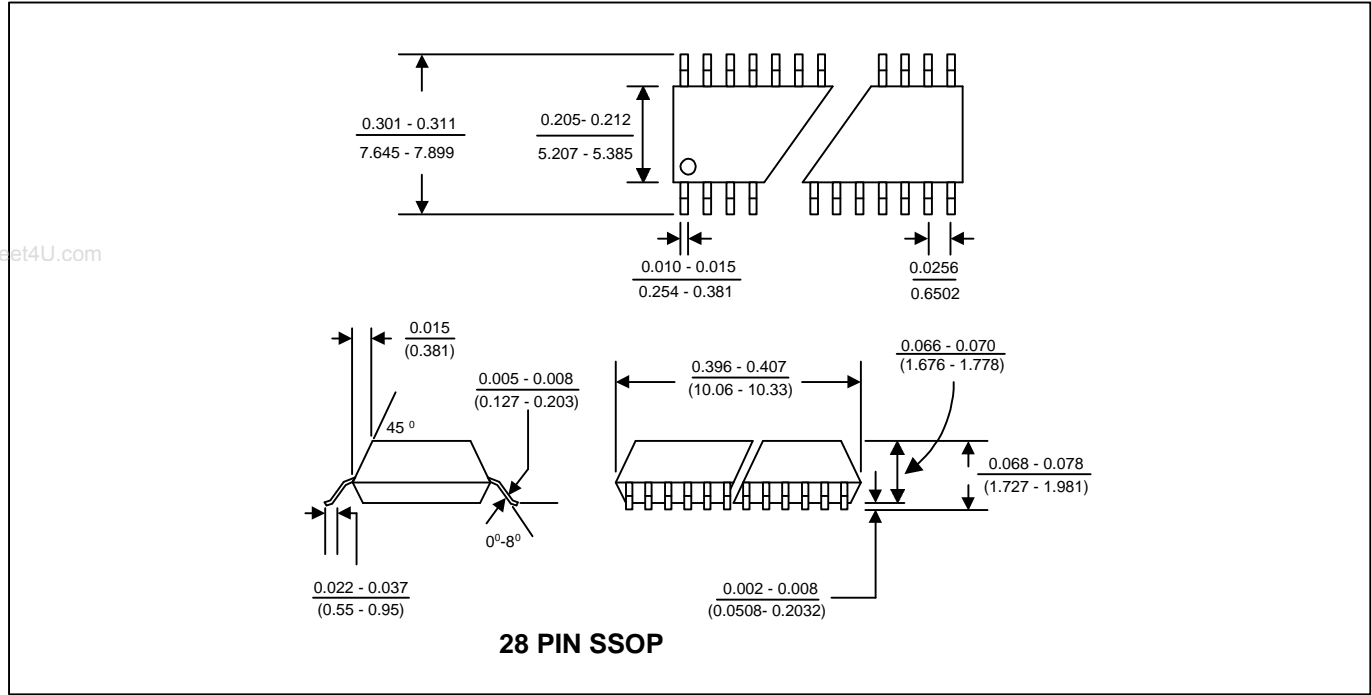
3. Electrical Specifications (Continued)

PARAMETERS	SYMBOL	CONDITIONS	MIN.	TYP.	MAX.	UNITS
Supply Current (DDR-only mode)	I _{DD}	Unloaded outputs, 133MHz			TBM	mA
Supply Current (SDRAM mode)	I _{DD}	Unloaded outputs, 133MHz			TBM	mA
Supply Current	I _{DDS}	PD = 0			TBM	mA
Output Crossing Voltage	V _{OC}		(VDD/2) - 0.1	VDD/2	(VDD/2) + 0.1	V
Output Voltage Swing	V _{OUT}		0.7		VDD-0.4	V
Duty Cycle	D _T	Measured @ 1.5V	45	50	55	%
Max. Operating Frequency			66		170	MHz
Rising Edge Rate	T _{OR}	Measured @ 0.4V ~ 2.4V	1.0	1.5	2.0	V/ns
Falling Edge Rate	T _{OF}	Measured @ 2.4V ~ 0.4V	1.0	1.5	2.0	V/ns
DDR Rising Edge Rate	T _{OR}	Measured between 20% to 80% of output	0.25	0.6	1.0	V/ns
DDR Falling Edge Rate	T _{OF}	Measured between 20% to 80% of output	0.25	0.6	1.0	V/ns
Clock Skew(pin to pin)	T _{SKEW}	All outputs equally loaded			100	ps
Stabilization Time	T _{ST}				0.1	ms

Note: TBM: To be measured

2 DIMM DDR Fanout Buffer

PACKAGE INFORMATION



ORDERING INFORMATION

For part ordering, please contact our Sales Department:

47745 Fremont Blvd., Fremont, CA 94538, USA

Tel: (510) 492-0990 Fax: (510) 492-0991

PART NUMBER

The order number for this device is a combination of the following:
Device number, Package type and Operating temperature range

PLL103-07 X C

PART NUMBER

TEMPERATURATURE
C=COMMERCIAL
M=MILITARY
I=INDUSTRAL
PACKAGE TYPE
X=SSOP

PhaseLink Corporation, reserves the right to make changes in its products or specifications, or both at any time without notice. The information furnished by PhaseLink is believed to be accurate and reliable. However, PhaseLink makes no guarantee or warranty concerning the accuracy of said information and shall not be responsible for any loss or damage of whatever nature resulting from the use of, or reliance upon this product.

LIFE SUPPORT POLICY: PhaseLink's products are not authorized for use as critical components in life support devices or systems without the express written approval of the President of PhaseLink Corporation.