

RED INDICATES ORIGINAL

DATA CONTAINED IN THIS DOCUMENT IS PROPRIETARY TO TROMPETER ELECTRONICS INC. AND SHALL NOT BE DISCLOSED, COPIED OR USED FOR PROCUREMENT OR MANUFACTURE WITHOUT EXPRESS WRITTEN PERMISSION OF TROMPETER ELECTRONICS INC.

REVISIONS

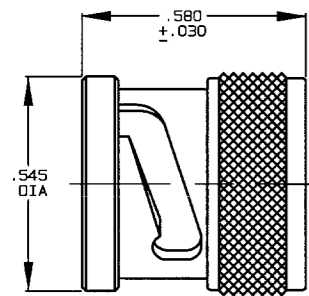
305-0029 SH 1C

REV	DESCRIPTION	DATE	APPROVED
L	REVISED PER ECO #13616	11/6/00	[Signature]

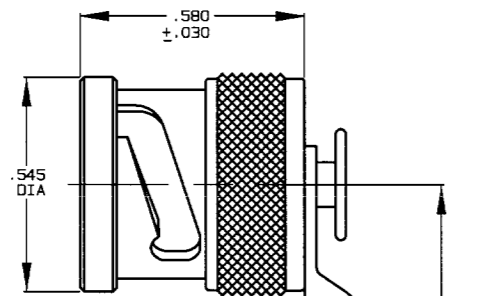
DASH NO	DESCRIPTION
-1	TERM (NO CHAIN)
-2	TERM WITH 2.5 BRASS CHAIN
-3	TERM WITH 2.5 NYLON CHAIN
-4	TERM WITH 3.0 BRASS CHAIN
-5	TERM WITH 3.0 NYLON CHAIN
-6	TERM WITH 6.0 BRASS CHAIN
-7	TERM WITH 6.0 NYLON CHAIN
-8	TERM WITH 4.0 BRASS CHAIN
-9	TERM WITH 4.0 NYLON CHAIN
-10	TERM WITH 10.0 BRASS CHAIN
-11	TERM WITH 10.0 NYLON CHAIN
-12	TERM WITH 2.5 SST ROPE
-13	TERM WITH 3.0 SST ROPE
-14	TERM WITH 6.0 SST ROPE
-15	TERM WITH 4.0 SST ROPE
-16	TERM WITH 7.5 SST ROPE
-17	TERM WITH 4.5 SST ROPE

DASH NO	"A" DIA	"B" DIA	"C" DIM	"D" DIM
-02	.630	.750	1.066	.450
-03	.505	.625	.941	.388
-04	.439	.562	.878	.355
-05	.380	.500	.816	.325
-06	.317	.437	.753	.295
-07	.281	.406	.722	.278
-08	.610	.750	1.066	.450
-09	.567	.687	1.003	.419
-010	.192	.312	.628	.231
-011	1.005	1.125	1.441	.638
-008	.330	.450	.766	.300

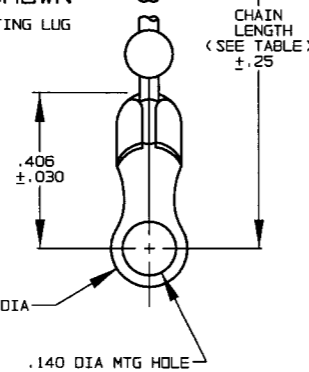
3



-1 SHOWN
NO CHAIN/ROPE OR MOUNTING LUG

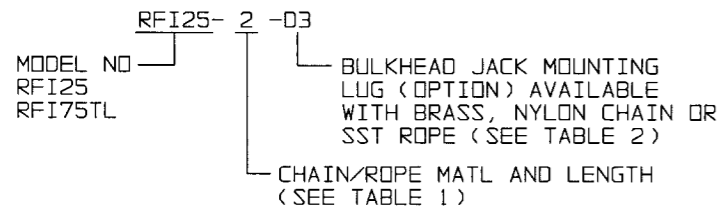


-2 THRU -11 SHOWN
STANDARD CHAIN AND MOUNTING LUG

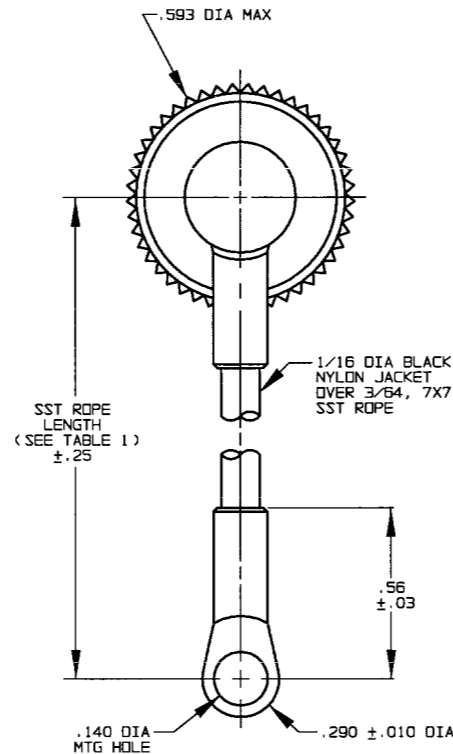


NOTE THAT LENGTH FOR SST ROPE WITH MOUNTING LUG OPTION IS NOT MEASURED TO CENTER OF BULKHEAD MOUNTING LUG

2. EXAMPLE OF COMPLETE MODEL NO:

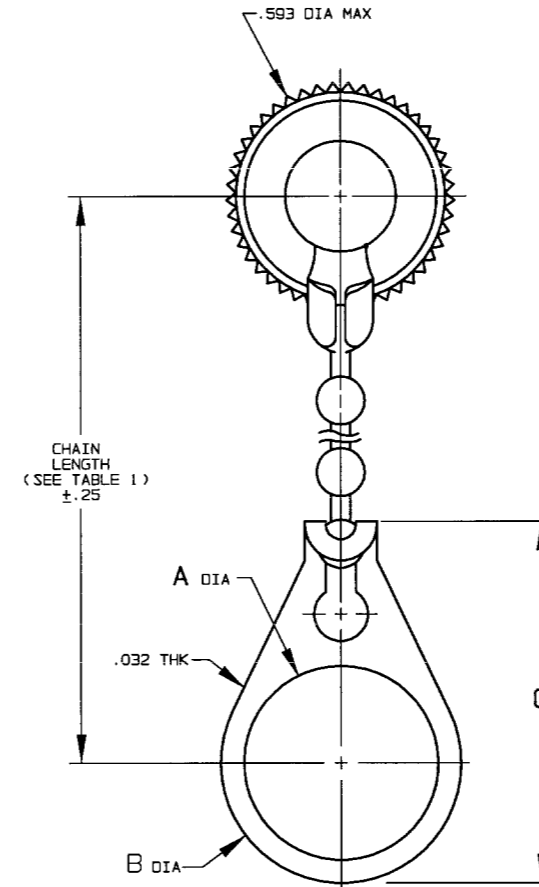


1. MALE BNC/2-LUG TRB CAP WITH CHAIN/ROPE AND MOUNTING LUG OPTIONS



-12 THRU -17

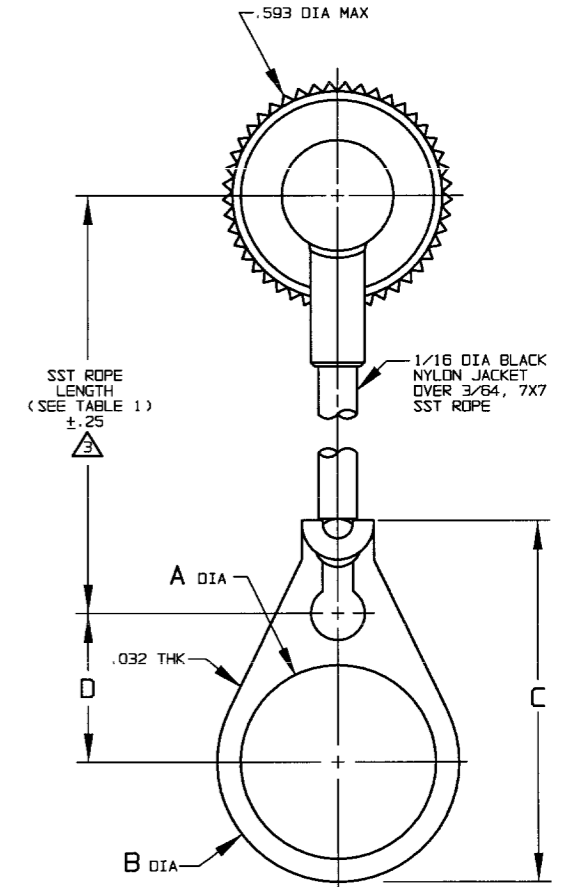
STAINLESS STEEL ROPE AND MOUNTING LUG



-2-02 THRU

-11-008 SHOWN

STANDARD CHAIN AND BULKHEAD BULKHEAD JACK MOUNTING LUG



-12-02 THRU

-17-008 SHOWN

STAINLESS STEEL ROPE AND BULKHEAD JACK MOUNTING LUG

INTERPRET DRAWING PER MIL-STD-100 DIMENSIONS ARE IN INCHES AND INCLUDE FINISH THICKNESS UNLESS OTHERWISE SPECIFIED

TOL: UNLESS SPECIFIED
.XX
.XXX ±.005
.XXXX
ANGLES
MATERIAL:



DRAWN: DKC
CHECKED: [Signature]
APPROVED: [Signature]

DATE: 11-1-00

FINISH: TFS-1A (NICKEL)

TITLE: RFI25/RFI75TL

NEXT ASSY

DATE: 11/2/00

SCALE: 2/1

SIZE: B

CAGE CODE: 14949

DRAWING NO.: 305-0029

REV.: L

DATE: 9-11-69

DATE: 11/2/00

DATE: 9-11-69

DATE: 9-11-69

DATE: 9-11-69

DATE: 9-11-69

SCALE: 2/1

SCALE: 2/1

SCALE: 2/1

SCALE: 2/1

SHEET: 1C

SHEET: 1C

SHEET: 1C

SHEET: 1C