

RX03 SERIES CONNECTORS

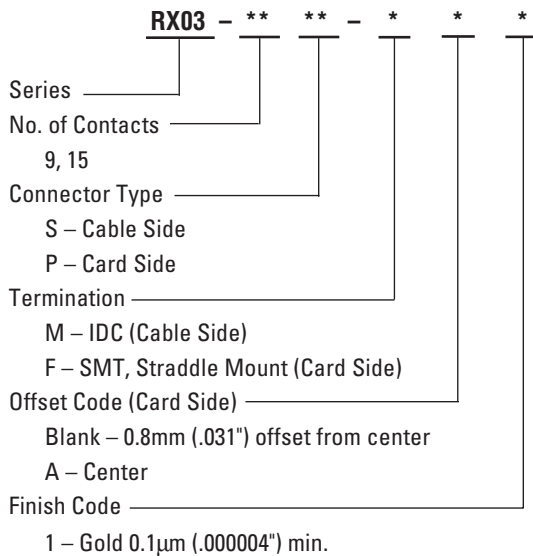
1.0mm (.039") Contact Spacing, I/O Card Rear Side Interface Connectors



FEATURES

- SMT (straddle) type PCB mounting side
- Overmolded IDC type for cable side
- Ribbon type contacts withstand twisting force
- Polarizing key prevents mismating
- Grounding dimples on receptacle side shell
- Backshell incorporated in hood for IDC cable side enhances shielding
- Both card and cable sides have grounding tabs
- EMI protection

ORDERING INFORMATION



Note: RX03 Lock type connectors (9, 15, 25 contacts) are also available. Please consult JAE for details.



RX03 Series connectors are tailored to meet the requirements for use as interface connectors for I/O (LAN, MODEM) cards.

The SMT type (straddle mount) card side connector is designed for PCB mounting and the IDC type cable side connector is overmolded.

The low profile connectors feature high density contact spacing of 1.0mm (.039"). The SMT card connector is 3.5mm (.138") thick and the IDC cable connector is 5mm (.197") thick.

Ribbon type contacts assure contact durability against twisting force. The connectors are shielded to protect from EMI.

GENERAL SPECIFICATIONS

Number of Contacts	9, 15
Contact Spacing	1.0mm (.039")
Current Rating	0.5 Amps
Dielectric Withstanding Voltage	250 VAC r.m.s. (for one minute)
Insulation Resistance	100 megohms min.
Contact Resistance	40 milliohms max.
Applicable PCB Thickness	0.4 ± 0.05mm (.016 ± .002")
Applicable Wire Size	#28 AWG
Operating Temperature	-40°C to +80°C
Durability	5000 Cycles

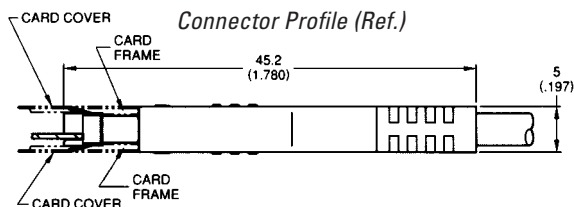
MATERIALS AND FINISHES

Card Side

Description	Materials/Finishes
Contact	Phosphor Bronze: Connecting Area: Gold plating, 0.1µm min. (.000004") over Nickel Terminal Area: Tin plating
Insulator	Glass-filled PPS (UL94V-0, Black)
Shell	Steel/Nickel plating

Cable Side

Contact	Copper Alloy: Gold plating, 0.1µm min. (.000004") over Nickel
Insulator	Glass-filled PBT (UL94V-0)
Cover Insulation	Glass-filled 6-6 Nylon (UL94V-0)
Shell	Steel/Nickel plating
Back Shell	Stainless Steel
Hood	PVC (UL94V-0)



Dimensions and specifications subject to change without notice.